

1984



---

# Information Manual

For Training Purposes Only

# 152

Model 152

For Training Purposes Only

# NOTICE

AT THE TIME OF ISSUANCE, THIS INFORMATION MANUAL WAS AN EXACT DUPLICATE OF THE OFFICIAL PILOT'S OPERATING HANDBOOK AND FAA APPROVED AIRPLANE FLIGHT MANUAL AND IS TO BE USED FOR GENERAL PURPOSES ONLY.

IT WILL NOT BE KEPT CURRENT AND, THEREFORE, CANNOT BE USED AS A SUBSTITUTE FOR THE OFFICIAL PILOT'S OPERATING HANDBOOK AND FAA APPROVED AIRPLANE FLIGHT MANUAL INTENDED FOR OPERATION OF THE AIRPLANE.

CESSNA AIRCRAFT COMPANY  
ORIGINAL ISSUE - 21 JULY 1983

# PERFORMANCE - SPECIFICATIONS

**\*SPEED:**

|  |              |
|--|--------------|
| Maximum at Sea Level . . . . .   | 109 KNOTS    |
| Cruise, 75% Power at 8500 Ft . . . . .   | 106 KNOTS    |
| <b>CRUISE:</b> Recommended lean mixture with fuel allowance for engine start, taxi, takeoff, climb and 45 minutes reserve. |              |
| 75% Power at 8500 Ft . . . . .   | Range 315 NM |
| 24.5 Gallons Usable Fuel . . . . .   | Time 3.0 HRS |
| 75% Power at 8500 Ft . . . . .   | Range 540 NM |
| 37.5 Gallons Usable Fuel . . . . .   | Time 5.2 HRS |
| Maximum Range at 10,000 Ft . . . . .   | Range 370 NM |
| 24.5 Gallons Usable Fuel . . . . .   | Time 4.1 HRS |
| Maximum Range at 10,000 Ft . . . . .   | Range 625 NM |
| 37.5 Gallons Usable Fuel . . . . .   | Time 6.9 HRS |
| <b>RATE OF CLIMB AT SEA LEVEL . . . . .</b>  | 715 FPM      |
| <b>SERVICE CEILING . . . . .</b>   | 14,700 FT    |
| <b>TAKEOFF PERFORMANCE:</b>  |              |
| Ground Roll . . . . .  | 725 FT       |
| Total Distance Over 50-Ft Obstacle . . . . .   | 1340 FT      |
| <b>LANDING PERFORMANCE:</b>  |              |
| Ground Roll . . . . .  | 475 FT       |
| Total Distance Over 50-Ft Obstacle . . . . .   | 1200 FT      |
| <b>STALL SPEED (KCAS):</b>   |              |
| Flaps Up, Power Off . . . . .  | 48 KNOTS     |
| Flaps Down, Power Off . . . . .  | 43 KNOTS     |
| <b>MAXIMUM WEIGHT:</b>   |              |
| Ramp . . . . .   | 1675 LBS     |
| Takeoff or Landing . . . . .   | 1670 LBS     |
| <b>STANDARD EMPTY WEIGHT:</b>  |              |
| 152 . . . . .  | 1104 LBS     |
| 152 II . . . . .   | 1138 LBS     |
| 152 Trainer . . . . .  | 1149 LBS     |
| <b>MAXIMUM USEFUL LOAD:</b>  |              |
| 152 . . . . .  | 571 LBS      |
| 152 II . . . . .   | 537 LBS      |
| 152 Trainer . . . . .  | 526 LBS      |
| <b>BAGGAGE ALLOWANCE . . . . .</b>   | 120 LBS      |
| <b>WING LOADING: Pounds/Sq Ft . . . . .</b>  | 10.5         |
| <b>POWER LOADING: Pounds/HP . . . . .</b>  | 15.5         |
| <b>FUEL CAPACITY: Total</b>  |              |
| Standard Tanks . . . . .   | 26 GAL.      |
| Long Range Tanks . . . . .   | 39 GAL.      |
| <b>OIL CAPACITY . . . . .</b>  | 7 QTS        |
| <b>ENGINE: Avco Lycoming . . . . .</b>   | O-235-N2C    |
| 108 BHP at 2550 RPM . . . . .  |              |
| <b>PROPELLER: Fixed Pitch, Diameter . . . . .</b>  | 69 IN.       |

\*Speed performance is shown for an airplane equipped with optional speed fairings, which increase the speeds by approximately 2 knots. There is a corresponding difference in range, while all other performance figures are unchanged when speed fairings are installed.

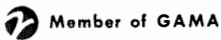
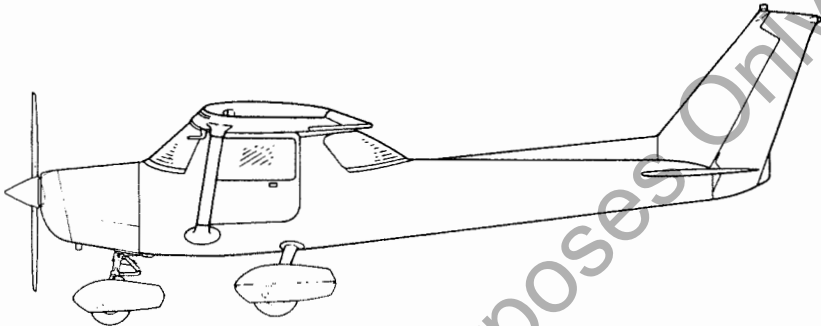
The above performance figures are based on indicated weights, standard atmospheric conditions, level hard-surface dry runways, and no wind. They are calculated values derived from flight tests conducted by the Cessna Aircraft Company under carefully documented conditions and will vary with individual airplanes and numerous factors affecting flight performance.





---

# Information Manual



Cessna Aircraft Company

1984 Model 152

COPYRIGHT • 1983

Cessna Aircraft Company  
Wichita, Kansas USA

For Training Purposes Only

# TABLE OF CONTENTS

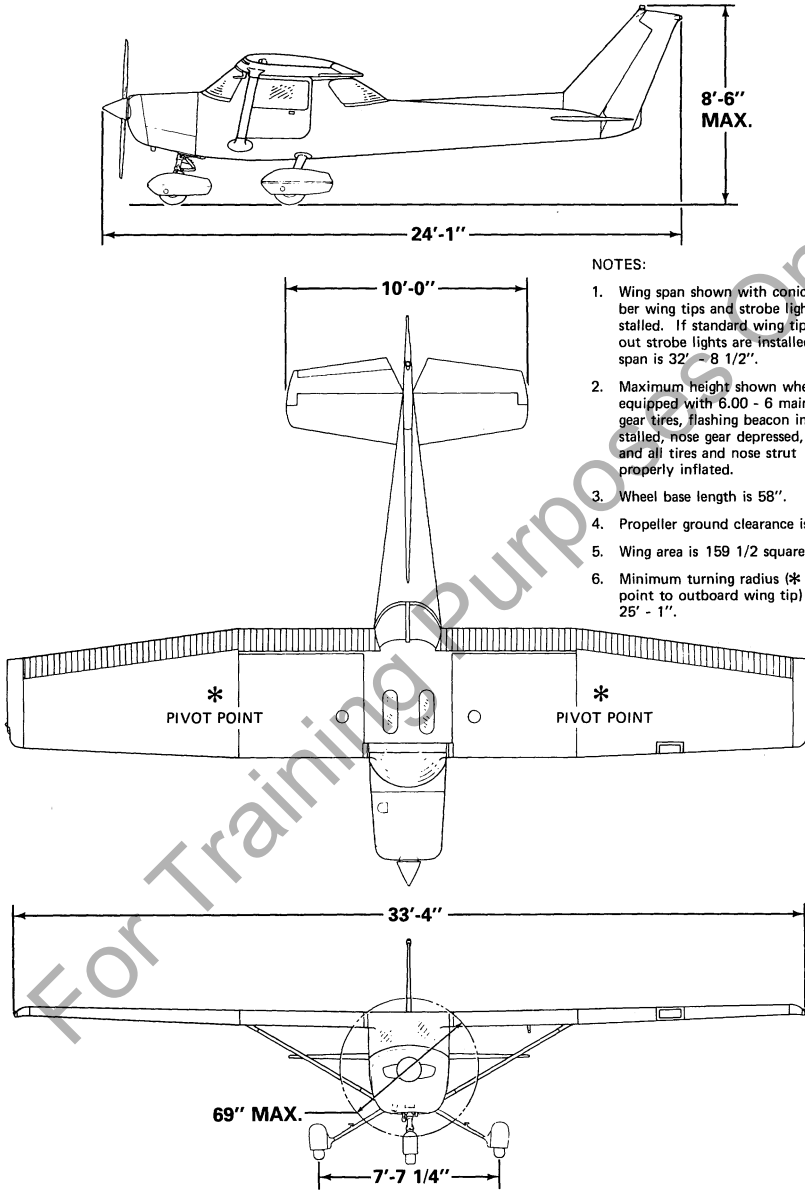
|   | SECTION |
|---|---------|
| GENERAL.....  | 1       |
| LIMITATIONS.....  | 2       |
| EMERGENCY PROCEDURES.....   | 3       |
| NORMAL PROCEDURES.....  | 4       |
| PERFORMANCE.....  | 5       |
| WEIGHT & BALANCE/<br>EQUIPMENT LIST .....                                     | 6       |
| AIRPLANE & SYSTEMS<br>DESCRIPTIONS .....                                      | 7       |
| AIRPLANE HANDLING,<br>SERVICE & MAINTENANCE .....                             | 8       |
| SUPPLEMENTS<br>(Optional Systems Description<br>& Operating Procedures) ..... | 9       |

For Training Purposes Only

# SECTION 1 GENERAL

## TABLE OF CONTENTS

|  | Page |
|--|------|
| Three View . . . . .   | 1-2  |
| Introduction . . . . .   | 1-3  |
| Descriptive Data . . . . .                                     | 1-3  |
| Engine . . . . .   | 1-3  |
| Propeller . . . . .  | 1-3  |
| Fuel . . . . .   | 1-3  |
| Oil . . . . .  | 1-4  |
| Maximum Certificated Weights . . . . .                         | 1-5  |
| Standard Airplane Weights . . . . .                            | 1-5  |
| Cabin And Entry Dimensions . . . . .                           | 1-5  |
| Baggage Space Dimensions . . . . .                             | 1-5  |
| Specific Loadings . . . . .                                    | 1-5  |
| Symbols, Abbreviations And Terminology . . . . .               | 1-5  |
| General Airspeed Terminology And Symbols . . . . .             | 1-5  |
| Meteorological Terminology . . . . .                           | 1-6  |
| Engine Power Terminology . . . . .                             | 1-7  |
| Airplane Performance And Flight Planning Terminology . . . . . | 1-7  |
| Weight And Balance Terminology . . . . .                       | 1-7  |



NOTES:

1. Wing span shown with conical camber wing tips and strobe lights installed. If standard wing tips without strobe lights are installed, wing span is 32' - 8 1/2".
2. Maximum height shown when equipped with 6.00 - 6 main gear tires, flashing beacon installed, nose gear depressed, and all tires and nose strut properly inflated.
3. Wheel base length is 58".
4. Propeller ground clearance is 12".
5. Wing area is 159 1/2 square feet.
6. Minimum turning radius (\* pivot point to outboard wing tip) is 25' - 1".

Figure 1-1. Three View

## INTRODUCTION

This handbook contains 9 sections, and includes the material required to be furnished to the pilot by CAR Part 3. It also contains supplemental data supplied by Cessna Aircraft Company.

Section 1 provides basic data and information of general interest. It also contains definitions or explanations of symbols, abbreviations, and terminology commonly used.

## DESCRIPTIVE DATA

### ENGINE

Number of Engines: 1.

Engine Manufacturer: Avco Lycoming.

Engine Model Number: O-235-N2C.

Engine Type: Normally-aspirated, direct-drive, air-cooled, horizontally-  
opposed, carburetor equipped, four-cylinder engine with 233.3 cu. in.  
displacement.

Horsepower Rating and Engine Speed: 108 rated BHP at 2550 RPM.

### PROPELLER

Propeller Manufacturer: McCauley Accessory Division.

Propeller Model Number: 1A103/TCM6958.

Number of Blades: 2.

Propeller Diameter, Maximum: 69 inches.

Minimum: 67.5 inches.

Propeller Type: Fixed pitch.

### FUEL

Approved Fuel Grades (and Colors):

100LL Grade Aviation Fuel (Blue).

100 (Formerly 100/130) Grade Aviation Fuel (Green).

### NOTE

Isopropyl alcohol or ethylene glycol monomethyl ether may be added to the fuel supply. Additive concentrations shall not exceed 1% for isopropyl alcohol or .15% for ethylene glycol monomethyl ether. Refer to Section 8 for additional information.

Fuel Capacity:

Standard Tanks:

Total Capacity: 26 gallons.  
Total Capacity Each Tank: 13 gallons.  
Total Usable: 24.5 gallons.

Long Range Tanks:

Total Capacity: 39 gallons.  
Total Capacity Each Tank: 19.5 gallons.  
Total Usable: 37.5 gallons.

NOTE

Due to cross-feeding between fuel tanks, the tanks should be re-topped after each refueling to assure maximum capacity.

OIL

Oil Specification:

MIL-L-6082 Aviation Grade Straight Mineral Oil: Used when the airplane was delivered from the factory and should be used to replenish the supply during the first 25 hours. This oil should be drained after the first 25 hours of operation. Refill the engine and continue to use until a total of 50 hours has accumulated or oil consumption has stabilized.

MIL-L-22851 Aviation Grade Ashless Dispersant Oil: Oil conforming to Avco Lycoming Service Instruction No. 1014, and all revisions and supplements thereto, **must be used** after first 50 hours or oil consumption has stabilized.

Recommended Viscosity for Temperature Range:

All temperatures, use multi-viscosity oil or  
Above 16° C (60° F), use SAE 50  
-1° C (30° F) to 32° C (90° F), use SAE 40  
-18° C (0° F) to 21° C (70° F), use SAE 30

NOTE

When operating temperatures overlap, use the lighter grade of oil.

Oil Capacity:

Sump: 6 Quarts.  
Total: 7 Quarts.



## MAXIMUM CERTIFICATED WEIGHTS

Ramp: 1675 lbs.

Takeoff: 1670 lbs.

Landing: 1670 lbs.

Weight in Baggage Compartment:

Baggage Area 1 (or passenger on child's seat) - Station 50 to 76: 120 lbs. See note below.

Baggage Area 2 - Station 76 to 94: 40 lbs. See note below.

### NOTE

The maximum combined weight capacity for baggage areas 1 and 2 is 120 lbs.

## STANDARD AIRPLANE WEIGHTS

Standard Empty Weight, 152: 1104 lbs.  
152 II: 1138 lbs.  
152 Trainer: 1149 lbs.

Maximum Useful Load, 152: 571 lbs.  
152 II: 537 lbs.  
152 Trainer: 526 lbs.

## CABIN AND ENTRY DIMENSIONS

Detailed dimensions of the cabin interior and entry door openings are illustrated in Section 6.

## BAGGAGE SPACE DIMENSIONS

Baggage area dimensions are illustrated in detail in Section 6.

## SPECIFIC LOADINGS

Wing Loading: 10.5 lbs./sq. ft.

Power Loading: 15.5 lbs./hp.

## SYMBOLS, ABBREVIATIONS AND TERMINOLOGY

### GENERAL AIRSPEED TERMINOLOGY AND SYMBOLS

KCAS

**Knots Calibrated Airspeed** is indicated airspeed corrected for position and instrument error and expressed in knots. Knots calibrated airspeed is equal to KTAS in standard atmosphere at sea level.

|           |  |
|-----------|--|
| KIAS      | <b>Knots Indicated Airspeed</b> is the speed shown on the airspeed indicator and expressed in knots.   |
| KTAS      | <b>Knots True Airspeed</b> is the airspeed expressed in knots relative to undisturbed air which is KCAS corrected for altitude and temperature.                    |
| $V_A$     | <b>Maneuvering Speed</b> is the maximum speed at which full or abrupt control movements may be used.   |
| $V_{FE}$  | <b>Maximum Flap Extended Speed</b> is the highest speed permissible with wing flaps in a prescribed extended position.   |
| $V_{NO}$  | <b>Maximum Structural Cruising Speed</b> is the speed that should not be exceeded except in smooth air, then only with caution.                                    |
| $V_{NE}$  | <b>Never Exceed Speed</b> is the speed limit that may not be exceeded at any time.   |
| $V_S$     | <b>Stalling Speed or the minimum steady flight speed</b> at which the airplane is controllable.  |
| $V_{S_0}$ | <b>Stalling Speed or the minimum steady flight speed</b> at which the airplane is controllable in the landing configuration at the most forward center of gravity. |
| $V_X$     | <b>Best Angle-of-Climb Speed</b> is the speed which results in the greatest gain of altitude in a given horizontal distance.                                       |
| $V_Y$     | <b>Best Rate-of-Climb Speed</b> is the speed which results in the greatest gain in altitude in a given time.   |

## METEOROLOGICAL TERMINOLOGY

|                      |  |
|----------------------|--|
| OAT                  | <b>Outside Air Temperature</b> is the free air static temperature. It is expressed in either degrees Celsius or degrees Fahrenheit.                      |
| Standard Temperature | <b>Standard Temperature</b> is 15°C at sea level pressure altitude and decreases by 2°C for each 1000 feet of altitude.                                  |
| Pressure Altitude    | <b>Pressure Altitude</b> is the altitude read from an altimeter when the altimeter's barometric scale has been set to 29.92 inches of mercury (1013 mb). |

## ENGINE POWER TERMINOLOGY

|            |   |
|------------|---|
| BHP        | <b>Brake Horsepower</b> is the power developed by the engine.   |
| RPM        | <b>Revolutions Per Minute</b> is engine speed.  |
| Static RPM | <b>Static RPM</b> is engine speed attained during a full-throttle engine runup when the airplane is on the ground and stationary. |

## AIRPLANE PERFORMANCE AND FLIGHT PLANNING TERMINOLOGY

|                                 |   |
|---------------------------------|---|
| Demonstrated Crosswind Velocity | <b>Demonstrated Crosswind Velocity</b> is the velocity of the crosswind component for which adequate control of the airplane during takeoff and landing was actually demonstrated during certification tests. The value shown is not considered to be limiting. |
| Usable Fuel                     | <b>Usable Fuel</b> is the fuel available for flight planning.   |
| Unusable Fuel                   | <b>Unusable Fuel</b> is the quantity of fuel that can not be safely used in flight.   |
| GPH                             | <b>Gallons Per Hour</b> is the amount of fuel consumed per hour.  |
| NMPG                            | <b>Nautical Miles Per Gallon</b> is the distance which can be expected per gallon of fuel consumed at a specific engine power setting and/or flight configuration.  |
| g                               | <b>g</b> is acceleration due to gravity.  |

## WEIGHT AND BALANCE TERMINOLOGY

|                 |  |
|-----------------|--|
| Reference Datum | <b>Reference Datum</b> is an imaginary vertical plane from which all horizontal distances are measured for balance purposes. |
| Station         | <b>Station</b> is a location along the airplane fuselage given in terms of the distance from the reference datum.            |
| Arm             | <b>Arm</b> is the horizontal distance from the reference datum to the center of gravity (C.G.) of an item.                   |
| Moment          | <b>Moment</b> is the product of the weight of an item multiplied   |

by its arm. (Moment divided by the constant 1000 is used in this handbook to simplify balance calculations by reducing the number of digits.)

|                          |  |
|--------------------------|--|
| Center of Gravity (C.G.) | <b>Center of Gravity</b> is the point at which an airplane, or equipment, would balance if suspended. Its distance from the reference datum is found by dividing the total moment by the total weight of the airplane. |
| C.G. Arm                 | <b>Center of Gravity Arm</b> is the arm obtained by adding the airplane's individual moments and dividing the sum by the total weight.   |
| C.G. Limits              | <b>Center of Gravity Limits</b> are the extreme center of gravity locations within which the airplane must be operated at a given weight.  |
| Standard Empty Weight    | <b>Standard Empty Weight</b> is the weight of a standard airplane, including unusable fuel, full operating fluids and full engine oil.   |
| Basic Empty Weight       | <b>Basic Empty Weight</b> is the standard empty weight plus the weight of optional equipment.  |
| Useful Load              | <b>Useful Load</b> is the difference between ramp weight and the basic empty weight.   |
| Maximum Ramp Weight      | <b>Maximum Ramp Weight</b> is the maximum weight approved for ground maneuver. (It includes the weight of start, taxi and runup fuel.)   |
| Maximum Takeoff Weight   | <b>Maximum Takeoff Weight</b> is the maximum weight approved for the start of the takeoff roll.  |
| Maximum Landing Weight   | <b>Maximum Landing Weight</b> is the maximum weight approved for the landing touchdown.  |
| Tare                     | <b>Tare</b> is the weight of chocks, blocks, stands, etc. used when weighing an airplane, and is included in the scale readings. Tare is deducted from the scale reading to obtain the actual (net) airplane weight.   |

# SECTION 2 LIMITATIONS

## TABLE OF CONTENTS

|   | Page |
|---|------|
| Introduction . . . . .                    | 2-3  |
| Airspeed Limitations . . . . .            | 2-3  |
| Airspeed Indicator Markings . . . . .     | 2-4  |
| Power Plant Limitations . . . . .         | 2-4  |
| Power Plant Instrument Markings . . . . . | 2-5  |
| Weight Limits . . . . .                   | 2-6  |
| Center Of Gravity Limits . . . . .        | 2-6  |
| Maneuver Limits . . . . .                 | 2-6  |
| Flight Load Factor Limits . . . . .       | 2-7  |
| Kinds Of Operation Limits . . . . .       | 2-7  |
| Fuel Limitations . . . . .                | 2-7  |
| Other Limitations . . . . .               | 2-8  |
| Flap Limitations . . . . .                | 2-8  |
| Placards . . . . .                        | 2-9  |

For Training Purposes Only

## INTRODUCTION

Section 2 includes operating limitations, instrument markings, and basic placards necessary for the safe operation of the airplane, its engine, standard systems and standard equipment. The limitations included in this section and in Section 9 have been approved by the Federal Aviation Administration. Observance of these operating limitations is required by Federal Aviation Regulations.

### NOTE

Refer to Section 9 of this Pilot's Operating Handbook for amended operating limitations, operating procedures, performance data and other necessary information for airplanes equipped with specific options.

Your Cessna is certificated under FAA Type Certificate No. 3A19 as Cessna Model No. 152.

## AIRSPEED LIMITATIONS

Airspeed limitations and their operational significance are shown in figure 2-1.

|                 | SPEED   | KCAS            | KIAS            | REMARKS  |
|-----------------|---|-----------------|-----------------|--|
| V <sub>NE</sub> | Never Exceed Speed  | 145             | 149             | Do not exceed this speed in any operation.                                 |
| V <sub>NO</sub> | Maximum Structural Cruising Speed                               | 108             | 111             | Do not exceed this speed except in smooth air, and then only with caution. |
| V <sub>A</sub>  | Maneuvering Speed:<br>1670 Pounds<br>1500 Pounds<br>1350 Pounds | 101<br>96<br>91 | 104<br>98<br>93 | Do not make full or abrupt control movements above this speed.             |
| V <sub>FE</sub> | Maximum Flap Extended Speed                                     | 87              | 85              | Do not exceed this speed with flaps down.                                  |
|                 | Maximum Window Open Speed                                       | 145             | 149             | Do not exceed this speed with windows open.                                |

Figure 2-1. Airspeed Limitations

## AIRSPPEED INDICATOR MARKINGS

Airspeed indicator markings and their color code significance are shown in figure 2-2.

| MARKING    | KIAS VALUE OR RANGE | SIGNIFICANCE   |
|------------|---------------------|--|
| White Arc  | 35 - 85             | Full Flap Operating Range. Lower limit is maximum weight $V_{S_0}$ in landing configuration. Upper limit is maximum speed permissible with flaps extended. |
| Green Arc  | 40 - 111            | Normal Operating Range. Lower limit is maximum weight $V_S$ at most forward C.G. with flaps retracted. Upper limit is maximum structural cruising speed.   |
| Yellow Arc | 111 - 149           | Operations must be conducted with caution and only in smooth air.  |
| Red Line   | 149                 | Maximum speed for all operations.  |

Figure 2-2. Airspeed Indicator Markings

## POWER PLANT LIMITATIONS

Engine Manufacturer: Avco Lycoming.

Engine Model Number: O-235-N2C.

Maximum Power: 108 BHP rating.

Engine Operating Limits for Takeoff and Continuous Operations:

Maximum Engine Speed: 2550 RPM.

### NOTE

The static RPM range at full throttle (carburetor heat off and mixture leaned to maximum RPM) is 2280 to 2380 RPM. For allowable variations in static RPM at non-standard temperatures, refer to the Service Manual.



Maximum Oil Temperature: 245°F (118°C).

Oil Pressure, Minimum: 25 psi.

Maximum: 115 psi.

Fuel Grade: See Fuel Limitations.

Oil Grade (Specification):

MIL-L-6082 Aviation Grade Straight Mineral Oil or

MIL-L-22851 Ashless Dispersant Oil.

Propeller Manufacturer: McCauley Accessory Division.

Propeller Model Number: 1A103/TCM6958.

Propeller Diameter, Maximum: 69 inches.

Minimum: 67.5 inches.

## POWER PLANT INSTRUMENT MARKINGS

Power plant instrument markings and their color code significance are shown in figure 2-3.

| INSTRUMENT   | RED LINE                               | GREEN ARC   | RED LINE      |
|--|--|---|---------------|
|  | MINIMUM LIMIT                          | NORMAL OPERATING                                      | MAXIMUM LIMIT |
| Tachometer:<br>Sea Level<br>4000 Feet<br>8000 Feet | ---                                    | 1900 - 2350 RPM<br>1900 - 2450 RPM<br>1900 - 2550 RPM | 2550 RPM      |
| Oil Temperature                                    | ---                                    | 100° - 245°F  | 245°F         |
| Oil Pressure                                       | 25 psi                                 | 60 - 90 psi   | 115 psi       |
| Fuel Quantity                                      | E<br>(0.75 Gal. Unusable<br>Each Tank) | ---   | ---           |
| Suction  | ---                                    | 4.5 - 5.4 in. Hg                                      | ---           |

Figure 2-3. Power Plant Instrument Markings

## WEIGHT LIMITS

Maximum Ramp Weight: 1675 lbs.

Maximum Takeoff Weight: 1670 lbs.

Maximum Landing Weight: 1670 lbs.

Maximum Weight in Baggage Compartment:

Baggage Area 1 (or passenger on child's seat) - Station 50 to 76: 120 lbs.

See note below.

Baggage Area 2 - Station 76 to 94: 40 lbs. See note below.

### NOTE

The maximum combined weight capacity for baggage areas 1 and 2 is 120 lbs.

## CENTER OF GRAVITY LIMITS

Center of Gravity Range:

Forward: 31.0 inches aft of datum at 1350 lbs. or less, with straight line variation to 32.65 inches aft of datum at 1670 lbs.

Aft: 36.5 inches aft of datum at all weights.

Reference Datum: Front face of firewall.

## MANEUVER LIMITS

This airplane is certificated in the utility category and is designed for limited aerobatic flight. In the acquisition of various certificates such as commercial pilot and flight instructor, certain maneuvers are required. All of these maneuvers are permitted in this airplane.

No aerobatic maneuvers are approved except those listed below:

| MANEUVER                              | RECOMMENDED ENTRY SPEED* |
|---------------------------------------|--------------------------|
| Chandelles . . . . .                  | .95 knots                |
| Lazy Eights . . . . .                 | .95 knots                |
| Steep Turns . . . . .                 | .95 knots                |
| Spins . . . . .                       | Use Slow Deceleration    |
| Stalls (Except Whip Stalls) . . . . . | Use Slow Deceleration    |

\*Higher speeds can be used if abrupt use of the controls is avoided.

The baggage compartment and/or child's seat must not be occupied during aerobatics.

Aerobatics that may impose high loads should not be attempted. The important thing to bear in mind in flight maneuvers is that the airplane is clean in aerodynamic design and will build up speed quickly with the nose down. Proper speed control is an essential requirement for execution of any maneuver, and care should always be exercised to avoid excessive speed which in turn can impose excessive loads. In the execution of all maneuvers, avoid abrupt use of controls.

## FLIGHT LOAD FACTOR LIMITS

Flight Load Factors:

- \*Flaps Up: +4.4g, -1.76g
- \*Flaps Down: +3.5g

\*The design load factors are 150% of the above, and in all cases, the structure meets or exceeds design loads.

## KINDS OF OPERATION LIMITS

The airplane is equipped for day VFR and may be equipped for night VFR and/or IFR operations. FAR Part 91 establishes the minimum required instrumentation and equipment for these operations. The reference to types of flight operations on the operating limitations placard reflects equipment installed at the time of Airworthiness Certificate issuance.

Flight into known icing conditions is prohibited.

## FUEL LIMITATIONS

- 2 Standard Tanks: 13 U.S. gallons each.
  - Total Fuel: 26 U.S. gallons.
  - Usable Fuel (all flight conditions): 24.5 U.S. gallons.
  - Unusable Fuel: 1.5 U.S. gallons.
- 2 Long Range Tanks: 19.5 U.S. gallons each.
  - Total Fuel: 39 U.S. gallons.
  - Usable Fuel (all flight conditions): 37.5 U.S. gallons.
  - Unusable Fuel: 1.5 U.S. gallons.

**NOTE**

Due to cross-feeding between fuel tanks, the tanks should be re-topped after each refueling to assure maximum capacity.

Takeoffs have not been demonstrated with less than 2 gallons of total fuel (1 gallon per tank).

Fuel remaining in the tank after the fuel quantity indicator reads empty (red line) cannot be safely used in flight.

Approved Fuel Grades (and Colors):

100LL Grade Aviation Fuel (Blue).

100 (Formerly 100/130) Grade Aviation Fuel (Green).

**OTHER LIMITATIONS**

**FLAP LIMITATIONS**

Approved Takeoff Range: 0° to 10°.

Approved Landing Range: 0° to 30°.

## PLACARDS

The following information must be displayed in the form of composite or individual placards.

1. In full view of the pilot: (The “DAY-NIGHT-VFR-IFR” entry, shown on the example below, will vary as the airplane is equipped).

The markings and placards installed in this airplane contain operating limitations which must be complied with when operating this airplane in the Utility Category. Other operating limitations which must be complied with when operating this airplane in this category are contained in the Pilot's Operating Handbook and FAA Approved Airplane Flight Manual.

NO ACROBATIC MANEUVERS APPROVED EXCEPT THOSE LISTED BELOW

| <u>Maneuver</u>   | <u>Rec. Entry Speed</u> | <u>Maneuver</u> | <u>Rec. Entry Speed</u> |
|-------------------|-------------------------|-----------------|-------------------------|
| Chandelles .....  | 95 KIAS                 | Spins.....      | Slow Decel.             |
| Lazy 8's .....    | 95 KIAS                 | Stalls (Ex-     |                         |
| Steep Turns ..... | 95 KIAS                 | cept Whip       |                         |
|                   |                         | Stalls).....    | Slow Decel.             |

Intentional spins prohibited with flaps extended.  
Flight into known icing conditions prohibited.

This airplane is certified for the following flight operations as of date of original airworthiness certificate:

DAY-NIGHT-VFR-IFR

2. In the baggage compartment:

120 LBS. MAXIMUM BAGGAGE AND/OR AUXILIARY SEAT PASSENGER. FOR ADDITIONAL LOADING INSTRUCTIONS SEE WEIGHT AND BALANCE DATA.

3. Near fuel shutoff valve (standard tanks):

FUEL - 24.5 GALS - ON-OFF

- Near fuel shutoff valve (long range tanks):

FUEL - 37.5 GALS - ON-OFF

4. Near fuel tank filler cap (standard tanks):

FUEL  
100LL/100 MIN. GRADE AVIATION GASOLINE  
CAP. 13 U.S. GAL.

- Near fuel tank filler cap (long range tanks):

FUEL  
100LL/100 MIN. GRADE AVIATION GASOLINE  
CAP. 19.5 U.S. GAL.  
CAP 13.0 U.S. GAL. TO BOTTOM OF FILLER COLLAR

5. On the instrument panel near the altimeter:

SPIN RECOVERY

1. VERIFY AILERONS NEUTRAL AND THROTTLE CLOSED
2. APPLY FULL OPPOSITE RUDDER
3. MOVE CONTROL WHEEL BRISKLY FORWARD TO BREAK STALL
4. NEUTRALIZE RUDDER AND RECOVER FROM DIVE

6. A calibration card must be provided to indicate the accuracy of the magnetic compass in 30° increments.

7. On oil filler cap:

OIL  
6 QTS

8. On control lock:

CAUTION!  
CONTROL LOCK  
REMOVE BEFORE STARTING ENGINE

9. Near airspeed indicator:

MANEUVER SPEED - 104 KIAS

10. On forward face of firewall adjacent to the battery:

CAUTION 24 VOLTS D.C.  
This aircraft is equipped with alternator  
and a negative ground system.  
OBSERVE PROPER POLARITY  
Reverse polarity will damage electrical  
components.

For Training Purposes Only



# SECTION 3

# EMERGENCY PROCEDURES

## TABLE OF CONTENTS

|   | Page |
|---|------|
| Introduction . . . . .                      | 3-3  |
| Airspeeds For Emergency Operation . . . . . | 3-3  |

### OPERATIONAL CHECKLISTS

|  |     |
|--|-----|
| Engine Failures . . . . .  | 3-3 |
| Engine Failure During Takeoff Roll . . . . .   | 3-3 |
| Engine Failure Immediately After Takeoff . . . . .                                     | 3-4 |
| Engine Failure During Flight (Restart Procedures) . . . . .                            | 3-4 |
| Forced Landings . . . . .  | 3-4 |
| Emergency Landing Without Engine Power . . . . .                                       | 3-4 |
| Precautionary Landing With Engine Power . . . . .                                      | 3-4 |
| Ditching . . . . .   | 3-5 |
| Fires . . . . .  | 3-5 |
| During Start On Ground . . . . .   | 3-5 |
| Engine Fire In Flight . . . . .  | 3-6 |
| Electrical Fire In Flight . . . . .  | 3-6 |
| Cabin Fire . . . . .   | 3-6 |
| Wing Fire . . . . .  | 3-7 |
| Icing . . . . .  | 3-7 |
| Inadvertent Icing Encounter . . . . .  | 3-7 |
| Landing With A Flat Main Tire . . . . .  | 3-8 |
| Electrical Power Supply System Malfunctions . . . . .                                  | 3-8 |
| Ammeter Shows Excessive Rate Of Charge<br>(Full Scale Deflection) . . . . .            | 3-8 |
| Low-Voltage Light Illuminates During Flight<br>(Ammeter Indicates Discharge) . . . . . | 3-8 |

### AMPLIFIED PROCEDURES

|  |      |
|--|------|
| Engine Failure . . . . .                   | 3-9  |
| Forced Landings . . . . .                  | 3-10 |
| Landing Without Elevator Control . . . . . | 3-10 |
| Fires . . . . .                            | 3-10 |

## TABLE OF CONTENTS (Continued)

|   | Page |
|---|------|
| Emergency Operation In Clouds (Vacuum System Failure) . . . . . | 3-11 |
| Executing A 180° Turn In Clouds . . . . .                       | 3-11 |
| Emergency Descent Through Clouds . . . . .                      | 3-11 |
| Recovery From A Spiral Dive . . . . .                           | 3-12 |
| Inadvertent Flight Into Icing Conditions . . . . .              | 3-12 |
| Spins . . . . .   | 3-12 |
| Rough Engine Operation Or Loss Of Power . . . . .               | 3-13 |
| Carburetor Icing . . . . .                                      | 3-13 |
| Spark Plug Fouling . . . . .                                    | 3-13 |
| Magneto Malfunction . . . . .                                   | 3-14 |
| Low Oil Pressure . . . . .                                      | 3-14 |
| Electrical Power Supply System Malfunctions . . . . .           | 3-14 |
| Excessive Rate Of Charge . . . . .                              | 3-14 |
| Insufficient Rate Of Charge . . . . .                           | 3-15 |
| Other Emergencies . . . . .                                     | 3-16 |
| Windshield Damage . . . . .                                     | 3-16 |

## INTRODUCTION

Section 3 provides checklist and amplified procedures for coping with emergencies that may occur. Emergencies caused by airplane or engine malfunctions are extremely rare if proper preflight inspections and maintenance are practiced. Enroute weather emergencies can be minimized or eliminated by careful flight planning and good judgment when unexpected weather is encountered. However, should an emergency arise, the basic guidelines described in this section should be considered and applied as necessary to correct the problem. Emergency procedures associated with ELT and other optional systems can be found in Section 9.

## AIRSPEEDS FOR EMERGENCY OPERATION

|   |          |
|---|----------|
| Engine Failure After Takeoff . . . . .            | 60 KIAS  |
| Maneuvering Speed:                                |          |
| 1670 Lbs . . . . .                                | 104 KIAS |
| 1500 Lbs . . . . .                                | 98 KIAS  |
| 1350 Lbs . . . . .                                | 93 KIAS  |
| Maximum Glide . . . . .                           | 60 KIAS  |
| Precautionary Landing With Engine Power . . . . . | 55 KIAS  |
| Landing Without Engine Power:                     |          |
| Wing Flaps Up . . . . .                           | 65 KIAS  |
| Wing Flaps Down . . . . .                         | 60 KIAS  |

## OPERATIONAL CHECKLISTS

Procedures in the Operational Checklists portion of this section shown in **bold-faced** type are immediate-action items which should be committed to memory.

## ENGINE FAILURES

### ENGINE FAILURE DURING TAKEOFF ROLL

1. **Throttle -- IDLE.**
2. **Brakes -- APPLY.**
3. **Wing Flaps -- RETRACT.**
4. **Mixture -- IDLE CUT-OFF.**
5. **Ignition Switch -- OFF.**
6. **Master Switch -- OFF.**

### ENGINE FAILURE IMMEDIATELY AFTER TAKEOFF

1. **Airspeed -- 60 KIAS.**
2. **Mixture -- IDLE CUT-OFF.**
3. **Fuel Shutoff Valve -- OFF.**
4. **Ignition Switch -- OFF.**
5. **Wing Flaps -- AS REQUIRED.**
6. **Master Switch -- OFF.**

### ENGINE FAILURE DURING FLIGHT (RESTART PROCEDURES)

1. **Airspeed -- 60 KIAS.**
2. **Carburetor Heat -- ON.**
3. **Primer -- IN and LOCKED.**
4. **Fuel Shutoff Valve -- ON.**
5. **Mixture -- RICH.**
6. **Ignition Switch -- BOTH (or START if propeller is stopped).**

### FORCED LANDINGS

#### EMERGENCY LANDING WITHOUT ENGINE POWER

1. **Airspeed -- 65 KIAS (flaps UP).  
60 KIAS (flaps DOWN).**
2. **Mixture -- IDLE CUT-OFF.**
3. **Fuel Shutoff Valve -- OFF.**
4. **Ignition Switch -- OFF.**
5. **Wing Flaps -- AS REQUIRED (30° recommended).**
6. **Master Switch -- OFF.**
7. **Doors -- UNLATCH PRIOR TO TOUCHDOWN.**
8. **Touchdown -- SLIGHTLY TAIL LOW.**
9. **Brakes -- APPLY HEAVILY.**

#### PRECAUTIONARY LANDING WITH ENGINE POWER

1. **Airspeed -- 60 KIAS.**
2. **Wing Flaps -- 20°.**
3. **Selected Field -- FLY OVER, noting terrain and obstructions, then retract flaps upon reaching a safe altitude and airspeed.**
4. **Radio and Electrical Switches -- OFF.**
5. **Wing Flaps -- 30° (on final approach).**
6. **Airspeed -- 55 KIAS.**
7. **Master Switch -- OFF.**
8. **Doors -- UNLATCH PRIOR TO TOUCHDOWN.**
9. **Touchdown -- SLIGHTLY TAIL LOW.**
10. **Ignition Switch -- OFF.**
11. **Brakes -- APPLY HEAVILY.**

## DITCHING

1. Radio -- TRANSMIT MAYDAY on 121.5 MHz, giving location and intentions and SQUAWK 7700 if transponder is installed.
2. Heavy Objects (in baggage area) -- SECURE OR JETTISON.
3. Approach -- High Winds, Heavy Seas -- INTO THE WIND.  
Light Winds, Heavy Swells -- PARALLEL TO SWELLS.
4. Wing Flaps -- 30°.
5. Power -- ESTABLISH 300 FT/MIN DESCENT AT 55 KIAS.
6. Cabin Doors -- UNLATCH.
7. Touchdown -- LEVEL ATTITUDE AT 300 FT/MIN DESCENT.
8. Face -- CUSHION at touchdown with folded coat.
9. Airplane -- EVACUATE through cabin doors. If necessary, open windows and flood cabin to equalize pressure so doors can be opened.
10. Life Vests and Raft -- INFLATE.

## FIRES

### DURING START ON GROUND

1. **Cranking** -- CONTINUE, to get a start which would suck the flames and accumulated fuel through the carburetor and into the engine.

If engine starts:

2. Power -- 1700 RPM for a few minutes.
3. Engine -- SHUTDOWN and inspect for damage.

If engine fails to start:

4. **Throttle** -- FULL OPEN.
5. **Mixture** -- IDLE CUTOFF.
6. **Cranking** -- CONTINUE in an effort to obtain a start.
7. Fire Extinguisher -- OBTAIN (have ground attendants obtain if not installed).
8. Engine -- SECURE.
  - a. Master Switch -- OFF.
  - b. Ignition Switch -- OFF.
  - c. Fuel Shutoff Valve -- OFF.
9. Fire -- EXTINGUISH using fire extinguisher, wool blanket, or dirt.
10. Fire Damage -- INSPECT, repair damage or replace damaged components or wiring before conducting another flight.

## ENGINE FIRE IN FLIGHT

1. **Mixture -- IDLE CUT-OFF.**
2. **Fuel Shutoff Valve -- OFF.**
3. **Master Switch -- OFF.**
4. **Cabin Heat and Air -- OFF (except wing root vents).**
5. **Airspeed -- 85 KIAS (If fire is not extinguished, increase glide speed to find an airspeed which will provide an incombustible mixture).**
6. **Forced Landing -- EXECUTE (as described in Emergency Landing Without Engine Power).**

## ELECTRICAL FIRE IN FLIGHT

1. **Master Switch -- OFF.**
2. **Vents/Cabin Air/Heat -- CLOSED.**
3. **Fire Extinguisher -- ACTIVATE (if available).**

### WARNING

After discharging an extinguisher within a closed cabin, ventilate the cabin.

4. **All Other Switches (except ignition switch) -- OFF.**

If fire appears out and electrical power is necessary for continuance of flight:

5. **Master Switch -- ON.**
6. **Circuit Breakers -- CHECK for faulty circuit, do not reset.**
7. **Radio/Electrical Switches -- ON one at a time, with delay after each until short circuit is localized.**
8. **Vents/Cabin Air/Heat -- OPEN when it is ascertained that fire is completely extinguished.**

## CABIN FIRE

1. **Master Switch -- OFF.**
2. **Vents/Cabin Air/Heat -- CLOSED (to avoid drafts).**
3. **Fire Extinguisher -- ACTIVATE (if available).**

### WARNING

After discharging an extinguisher within a closed cabin, ventilate the cabin.

4. **Land the airplane as soon as possible to inspect for damage.**

## WING FIRE

1. **Navigation Light Switch -- OFF.**
2. **Strobe Light Switch (if installed) -- OFF.**
3. **Pitot Heat Switch (if installed) -- OFF.**

### NOTE

Perform a side slip to keep the flames away from the fuel tank and cabin, and land as soon as possible, with flaps retracted.

## ICING

### INADVERTENT ICING ENCOUNTER

1. **Turn pitot heat switch ON (if installed).**
2. **Turn back or change altitude** to obtain an outside air temperature that is less conducive to icing.
3. **Pull cabin heat control full out** to obtain maximum defroster air temperature. For greater air flow at reduced temperatures, adjust the cabin air control as required.
4. Open the throttle to increase engine speed and minimize ice build-up on propeller blades.
5. Watch for signs of carburetor air filter ice and apply carburetor heat as required. An unexpected loss in engine speed could be caused by carburetor ice or air intake filter ice. Lean the mixture for maximum RPM, if carburetor heat is used continuously.
6. Plan a landing at the nearest airport. With an extremely rapid ice build-up, select a suitable "off airport" landing site.
7. With an ice accumulation of 1/4 inch or more on the wing leading edges, be prepared for significantly higher stall speed.
8. Leave wing flaps retracted. With a severe ice build-up on the horizontal tail, the change in wing wake airflow direction caused by wing flap extension could result in a loss of elevator effectiveness.
9. Open left window and, if practical, scrape ice from a portion of the windshield for visibility in the landing approach.
10. Perform a landing approach using a forward slip, if necessary, for improved visibility.
11. Approach at 65 to 75 KIAS depending upon the amount of ice accumulation.
12. Perform a landing in level attitude.

## LANDING WITH A FLAT MAIN TIRE

1. Wing Flaps -- AS DESIRED.
2. Approach -- NORMAL.
3. Touchdown -- GOOD TIRE FIRST, hold airplane off flat tire as long as possible with aileron control.

## ELECTRICAL POWER SUPPLY SYSTEM MALFUNCTIONS

### AMMETER SHOWS EXCESSIVE RATE OF CHARGE (Full Scale Deflection)

1. Alternator -- OFF.
2. Alternator Circuit Breaker -- PULL.
3. Nonessential Electrical Equipment -- OFF.
4. Flight -- TERMINATE as soon as practical.

### LOW-VOLTAGE LIGHT ILLUMINATES DURING FLIGHT (Ammeter Indicates Discharge)

#### NOTE

Illumination of the low-voltage light may occur during low RPM conditions with an electrical load on the system such as during a low RPM taxi. Under these conditions, the light will go out at higher RPM. The master switch need not be recycled since an over-voltage condition has not occurred to de-activate the alternator system.

1. Radios -- OFF.
2. Alternator Circuit Breaker -- CHECK IN.
3. Master Switch -- OFF (both sides).
4. Master Switch -- ON.
5. Low-Voltage Light -- CHECK OFF.
6. Radios -- ON.

If low-voltage light illuminates again:

7. Alternator -- OFF.
8. Nonessential Radio and Electrical Equipment -- OFF.
9. Flight -- TERMINATE as soon as practical.



## AMPLIFIED PROCEDURES

The following Amplified Procedures elaborate upon information contained in the Operational Checklists portion of this section. These procedures also include information not readily adaptable to a checklist format, and material to which a pilot could not be expected to refer in resolution of a specific emergency.

### ENGINE FAILURE

If an engine failure occurs during the takeoff run, the most important thing to do is stop the airplane on the remaining runway. Those extra items on the checklist will provide added safety after a failure of this type.

Prompt lowering of the nose to maintain airspeed and establish a glide attitude is the first response to an engine failure after takeoff. In most cases, the landing should be planned straight ahead with only small changes in direction to avoid obstructions. Altitude and airspeed are seldom sufficient to execute a 180° gliding turn necessary to return to the runway. The checklist procedures assume that adequate time exists to secure the fuel and ignition systems prior to touchdown.

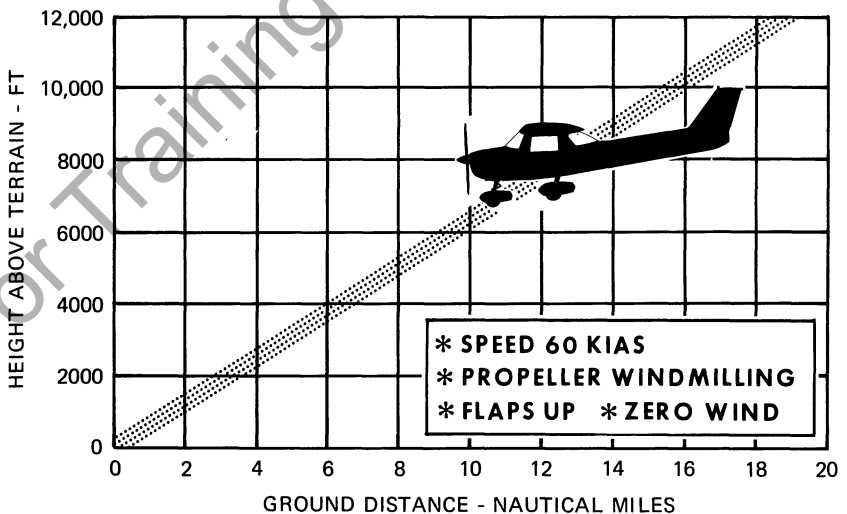


Figure 3-1. Maximum Glide

After an engine failure in flight, the best glide speed as shown in figure 3-1 should be established as quickly as possible. While gliding toward a suitable landing area, an effort should be made to identify the cause of the failure. If time permits, an engine restart should be attempted as shown in the checklist. If the engine cannot be restarted, a forced landing without power must be completed.

## FORCED LANDINGS

If all attempts to restart the engine fail and a forced landing is imminent, select a suitable field and prepare for the landing as discussed under the Emergency Landing Without Engine Power checklist.

Before attempting an "off airport" landing with engine power available, one should fly over the landing area at a safe but low altitude to inspect the terrain for obstructions and surface conditions, proceeding as discussed under the Precautionary Landing With Engine Power checklist.

Prepare for ditching by securing or jettisoning heavy objects located in the baggage area and collect folded coats for protection of occupants' face at touchdown. Transmit Mayday message on 121.5 MHz giving location and intentions, and squawk 7700 if a transponder is installed. Avoid a landing flare because of difficulty in judging height over a water surface.

## LANDING WITHOUT ELEVATOR CONTROL

Trim for horizontal flight (with an airspeed of approximately 55 KIAS and flaps lowered to 20°) by using throttle and elevator trim controls. Then **do not change the elevator trim control setting**; control the glide angle by adjusting power exclusively.

At flareout, the nose-down moment resulting from power reduction is an adverse factor and the airplane may hit on the nose wheel. Consequently, at flareout, the trim control should be set at the full nose-up position and the power adjusted so that the airplane will rotate to the horizontal attitude for touchdown. Close the throttle at touchdown.

## FIRES

Although engine fires are extremely rare in flight, the steps of the appropriate checklist should be followed if one is encountered. After completion of this procedure, execute a forced landing. Do not attempt to restart the engine.

The initial indication of an electrical fire is usually the odor of burning insulation. The checklist for this problem should result in elimination of the fire.

## **EMERGENCY OPERATION IN CLOUDS (Vacuum System Failure)**

In the event of a complete vacuum system failure during flight, the directional indicator and attitude indicator will be disabled, and the pilot will have to rely on the turn coordinator if he inadvertently flies into clouds. The following instructions assume that only the electrically-powered turn coordinator is operative, and that the pilot is not completely proficient in instrument flying.

### **EXECUTING A 180° TURN IN CLOUDS**

Upon inadvertently entering the clouds, an immediate plan should be made to turn back as follows:

1. Note the compass heading.
2. Note the time of the minute hand and observe the position of the sweep second hand on the clock.
3. When the sweep second hand indicates the nearest half-minute, initiate a standard rate left turn, holding the turn coordinator symbolic airplane wing opposite the lower left index mark for 60 seconds. Then roll back to level flight by leveling the miniature airplane.
4. Check accuracy of the turn by observing the compass heading which should be the reciprocal of the original heading.
5. If necessary, adjust heading primarily with skidding motions rather than rolling motions so that the compass will read more accurately.
6. Maintain altitude and airspeed by cautious application of elevator control. Avoid overcontrolling by keeping the hands off the control wheel as much as possible and steering only with rudder.

### **EMERGENCY DESCENT THROUGH CLOUDS**

If conditions preclude reestablishment of VFR flight by a 180° turn, a descent through a cloud deck to VFR conditions may be appropriate. If possible, obtain radio clearance for an emergency descent through clouds. To guard against a spiral dive, choose an easterly or westerly heading to minimize compass card swings due to changing bank angles. In addition, keep hands off the control wheel and steer a straight course with rudder

control by monitoring the turn coordinator. Occasionally check the compass heading and make minor corrections to hold an approximate course. Before descending into the clouds, set up a stabilized let-down condition as follows:

1. Apply full rich mixture.
2. Use full carburetor heat.
3. Reduce power to set up a 500 to 800 ft/min rate of descent.
4. Adjust the elevator trim for a stabilized descent at 70 KIAS.
5. Keep hands off control wheel.
6. Monitor turn coordinator and make corrections by rudder alone.
7. Check trend of compass card movement and make cautious corrections with rudder to stop turn.
8. Upon breaking out of clouds, resume normal cruising flight.

## RECOVERY FROM A SPIRAL DIVE

If a spiral is encountered, proceed as follows:

1. Close the throttle.
2. Stop the turn by using coordinated aileron and rudder control to align the symbolic airplane in the turn coordinator with the horizon reference line.
3. Cautiously apply elevator back pressure to slowly reduce the airspeed to 70 KIAS.
4. Adjust the elevator trim control to maintain a 70 KIAS glide.
5. Keep hands off the control wheel, using rudder control to hold a straight heading.
6. Apply carburetor heat.
7. Clear engine occasionally, but avoid using enough power to disturb the trimmed glide.
8. Upon breaking out of clouds, resume normal cruising flight.

## INADVERTENT FLIGHT INTO ICING CONDITIONS

Flight into icing conditions is prohibited. An inadvertent encounter with these conditions can best be handled using the checklist procedures. The best procedure, of course, is to turn back or change altitude to escape icing conditions.

## SPINS

Should an inadvertent spin occur, the following recovery procedure should be used:

1. PLACE AILERONS IN NEUTRAL POSITION.

2. RETARD THROTTLE TO IDLE POSITION.
3. APPLY AND **HOLD** FULL RUDDER OPPOSITE TO THE DIRECTION OF ROTATION.
4. JUST **AFTER** THE RUDDER REACHES THE STOP, MOVE THE CONTROL WHEEL **BRISKLY** FORWARD FAR ENOUGH TO BREAK THE STALL. Full down elevator may be required at aft center of gravity loadings to assure optimum recoveries.
5. **HOLD THESE CONTROL INPUTS UNTIL ROTATION STOPS.** Premature relaxation of the control inputs may extend the recovery.
6. AS ROTATION STOPS, NEUTRALIZE RUDDER, AND MAKE A SMOOTH RECOVERY FROM THE RESULTING DIVE.

#### NOTE

If disorientation precludes a visual determination of the direction of rotation, the symbolic airplane in the turn coordinator may be referred to for this information.

For additional information on spins and spin recovery, see the discussion under SPINS in Normal Procedures (Section 4).

## ROUGH ENGINE OPERATION OR LOSS OF POWER

### CARBURETOR ICING

A gradual loss of RPM and eventual engine roughness may result from the formation of carburetor ice. To clear the ice, apply full throttle and pull the carburetor heat knob full out until the engine runs smoothly; then remove carburetor heat and readjust the throttle. If conditions require the continued use of carburetor heat in cruise flight, use the minimum amount of heat necessary to prevent ice from forming and lean the mixture for maximum RPM or recommended lean mixture as desired.

### SPARK PLUG FOULING

A slight engine roughness in flight may be caused by one or more spark plugs becoming fouled by carbon or lead deposits. This may be verified by turning the ignition switch momentarily from BOTH to either L or R position. An obvious power loss in single ignition operation is evidence of spark plug or magneto trouble. Assuming that spark plugs are the more likely cause, lean the mixture to the recommended lean setting for cruising flight. If the problem does not clear up in several minutes, determine if a richer mixture setting will produce smoother operation. If not, proceed to the nearest airport for repairs using the BOTH position of

the ignition switch unless extreme roughness dictates the use of a single ignition position.

## **MAGNETO MALFUNCTION**

A sudden engine roughness or misfiring is usually evidence of magneto problems. Switching from BOTH to either L or R ignition switch position will identify which magneto is malfunctioning. Select different power settings and enrichen the mixture to determine if continued operation on BOTH magnetos is practicable. If not, switch to the good magneto and proceed to the nearest airport for repairs.

## **LOW OIL PRESSURE**

If low oil pressure is accompanied by normal oil temperature, there is a possibility the oil pressure gage or relief valve is malfunctioning. A leak in the line to the gage is not necessarily cause for an immediate precautionary landing because an orifice in this line will prevent a sudden loss of oil from the engine sump. However, a landing at the nearest airport would be advisable to inspect the source of trouble.

If a total loss of oil pressure is accompanied by a rise in oil temperature, there is good reason to suspect an engine failure is imminent. Reduce engine power immediately and select a suitable forced landing field. Use only the minimum power required to reach the desired touchdown spot.

## **ELECTRICAL POWER SUPPLY SYSTEM MALFUNCTIONS**

Malfunctions in the electrical power supply system can be detected by periodic monitoring of the ammeter and low-voltage warning light; however, the cause of these malfunctions is usually difficult to determine. A broken alternator drive belt or wiring is most likely the cause of alternator failures, although other factors could cause the problem. A defective alternator control unit can also cause malfunctions. Problems of this nature constitute an electrical emergency and should be dealt with immediately. Electrical power malfunctions usually fall into two categories: excessive rate of charge and insufficient rate of charge. The paragraphs below describe the recommended remedy for each situation.

### **EXCESSIVE RATE OF CHARGE**

After engine starting and heavy electrical usage at low engine speeds

(such as extended taxiing) the battery condition will be low enough to accept above normal charging during the initial part of a flight. However, after thirty minutes of cruising flight, the ammeter should be indicating less than two needle widths of charging current. If the charging rate were to remain above this value on a long flight, the battery would overheat and evaporate the electrolyte at an excessive rate.

Electronic components in the electrical system can be adversely affected by higher than normal voltage. The alternator control unit includes an over-voltage sensor which normally will automatically shut down the alternator if the charge voltage reaches approximately 31.5 volts. If the over-voltage sensor malfunctions, as evidenced by an excessive rate of charge shown on the ammeter, the alternator should be turned off, alternator circuit breaker pulled, nonessential electrical equipment turned off and the flight terminated as soon as practical.

## INSUFFICIENT RATE OF CHARGE

### NOTE

Illumination of the low-voltage light and ammeter discharge indications may occur during low RPM conditions with an electrical load on the system, such as during a low RPM taxi. Under these conditions, the light will go out at higher RPM. The master switch need not be recycled since an over-voltage condition has not occurred to de-activate the alternator system.

If the over-voltage sensor should shut down the alternator, or if the alternator output is low, a discharge rate will be shown on the ammeter followed by illumination of the low-voltage warning light. Since this may be a "nuisance" trip-out, an attempt should be made to reactivate the alternator system. To do this, turn the radios off, check that the alternator circuit breaker is in, then turn both sides of the master switch off and then on again. If the problem no longer exists, normal alternator charging will resume and the low-voltage light will go off. The radios may then be turned back on. If the light illuminates again, a malfunction is confirmed. In this event, the flight should be terminated and/or the current drain on the battery minimized because the battery can supply the electrical system for only a limited period of time. Battery power must be conserved for later use of the flaps during landing and, if the emergency occurs at night, for possible use of the landing light during landing.

## OTHER EMERGENCIES

### WINDSHIELD DAMAGE

If a bird strike or other incident should damage the windshield in flight to the point of creating an opening, a significant loss in performance may be expected. This loss **may** be minimized in **some cases** (depending on amount of damage, altitude, etc.) by opening the side windows while the airplane is maneuvered for a landing at the nearest airport.

If airplane performance or other adverse conditions preclude landing at an airport, prepare for an "off airport" landing in accordance with the Precautionary Landing With Engine Power or Ditching checklists.



# SECTION 4

# NORMAL PROCEDURES

## TABLE OF CONTENTS

|                                       | Page |
|---------------------------------------|------|
| Introduction . . . . .                | 4-3  |
| Speeds For Normal Operation . . . . . | 4-3  |

### CHECKLIST PROCEDURES

|   |      |
|---|------|
| Preflight Inspection . . . . .                          | 4-5  |
| Cabin . . . . .   | 4-5  |
| Empennage . . . . .                                     | 4-5  |
| Right Wing, Trailing Edge . . . . .                     | 4-5  |
| Right Wing . . . . .                                    | 4-5  |
| Nose . . . . .  | 4-6  |
| Left Wing . . . . .                                     | 4-6  |
| Left Wing, Leading Edge . . . . .                       | 4-7  |
| Left Wing, Trailing Edge . . . . .                      | 4-7  |
| Before Starting Engine . . . . .                        | 4-7  |
| Starting Engine (Temperatures Above Freezing) . . . . . | 4-7  |
| Before Takeoff . . . . .                                | 4-8  |
| Takeoff . . . . .                                       | 4-8  |
| Normal Takeoff . . . . .                                | 4-8  |
| Short Field Takeoff . . . . .                           | 4-8  |
| Enroute Climb . . . . .                                 | 4-9  |
| Cruise . . . . .  | 4-9  |
| Descent . . . . .                                       | 4-9  |
| Before Landing . . . . .                                | 4-9  |
| Landing . . . . .                                       | 4-9  |
| Normal Landing . . . . .                                | 4-9  |
| Short Field Landing . . . . .                           | 4-10 |
| Balked Landing . . . . .                                | 4-10 |
| After Landing . . . . .                                 | 4-10 |
| Securing Airplane . . . . .                             | 4-10 |

### AMPLIFIED PROCEDURES

|   |      |
|---|------|
| Preflight Inspection . . . . .                          | 4-11 |
| Starting Engine (Temperatures Above Freezing) . . . . . | 4-12 |

## TABLE OF CONTENTS (Continued)

|  | Page |
|--|------|
| Taxiing . . . . .  | 4-14 |
| Before Takeoff . . . . .   | 4-14 |
| Warm-Up . . . . .  | 4-14 |
| Magnetos Check . . . . .   | 4-14 |
| Alternator Check . . . . .                                       | 4-14 |
| Takeoff . . . . .  | 4-15 |
| Power Check . . . . .  | 4-15 |
| Wing Flap Settings . . . . .                                     | 4-15 |
| Crosswind Takeoff . . . . .                                      | 4-16 |
| Enroute Climb . . . . .  | 4-16 |
| Cruise . . . . .   | 4-16 |
| Leaning With A Cessna Economy Mixture Indicator (EGT) . . . . .  | 4-18 |
| Fuel Savings Procedures For Flight Training Operations . . . . . | 4-19 |
| Stalls . . . . .   | 4-19 |
| Spins . . . . .  | 4-20 |
| Landing . . . . .  | 4-22 |
| Normal Landing . . . . .   | 4-22 |
| Short Field Landing . . . . .                                    | 4-22 |
| Crosswind Landing . . . . .                                      | 4-22 |
| Balked Landing . . . . .   | 4-22 |
| Cold Weather Operation . . . . .                                 | 4-22 |
| Noise Characteristics . . . . .                                  | 4-24 |

## INTRODUCTION

Section 4 provides checklist and amplified procedures for the conduct of normal operation. Normal procedures associated with optional systems can be found in Section 9.

## SPEEDS FOR NORMAL OPERATION

Unless otherwise noted, the following speeds are based on a maximum weight of 1670 pounds and may be used for any lesser weight.

### Takeoff:

|  |            |
|--|------------|
| Normal Climb Out . . . . .                                 | 65-75 KIAS |
| Short Field Takeoff, Flaps 10°, Speed at 50 Feet . . . . . | 54 KIAS    |

### Climb, Flaps Up:

|   |            |
|---|------------|
| Normal . . . . .  | 70-80 KIAS |
| Best Rate of Climb, Sea Level . . . . .                   | 67 KIAS    |
| Best Rate of Climb, 10,000 Feet . . . . .                 | 61 KIAS    |
| Best Angle of Climb, Sea Level thru 10,000 Feet . . . . . | 55 KIAS    |

### Landing Approach:

|   |            |
|---|------------|
| Normal Approach, Flaps Up . . . . .       | 60-70 KIAS |
| Normal Approach, Flaps 30° . . . . .      | 55-65 KIAS |
| Short Field Approach, Flaps 30° . . . . . | 54 KIAS    |

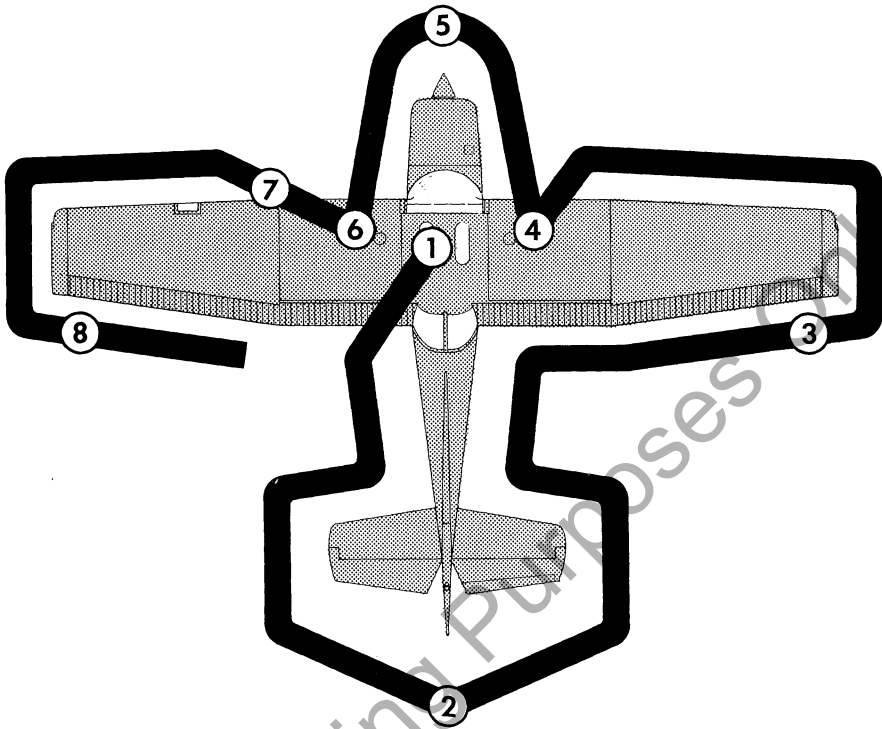
### Balked Landing:

|                                    |         |
|------------------------------------|---------|
| Maximum Power, Flaps 20° . . . . . | 55 KIAS |
|------------------------------------|---------|

### Maximum Recommended Turbulent Air Penetration Speed:

|                    |          |
|--------------------|----------|
| 1670 Lbs . . . . . | 104 KIAS |
| 1500 Lbs . . . . . | 98 KIAS  |
| 1350 Lbs . . . . . | 93 KIAS  |

|   |          |
|---|----------|
| Maximum Demonstrated Crosswind Velocity . . . . . | 12 KNOTS |
|---|----------|



**NOTE**

Visually check airplane for general condition during walk-around inspection. Use of the refueling steps and assist handles (if installed) will simplify access to the upper wing surfaces for visual checks and refueling operations. In cold weather, remove even small accumulations of frost, ice or snow from wing, tail and control surfaces. Also, make sure that control surfaces contain no internal accumulations of ice or debris. Prior to flight, check that pitot heater (if installed) is warm to touch within 30 seconds with battery and pitot heat switches on. If a night flight is planned, check operation of all lights, and make sure a flashlight is available.

Figure 4-1. Preflight Inspection

## CHECKLIST PROCEDURES

### PREFLIGHT INSPECTION

#### ① CABIN

1. Pilot's Operating Handbook -- AVAILABLE IN THE AIRPLANE.
2. Parking Brake -- SET.
3. Control Wheel Lock -- REMOVE.
4. Ignition Switch -- OFF.
5. Master Switch -- ON.

#### WARNING

When turning on the master switch, using an external power source, or pulling the propeller through by hand, treat the propeller as if the ignition switch were on. Do not stand, nor allow anyone else to stand, within the arc of the propeller, since a loose or broken wire, or a component malfunction, could cause the propeller to rotate.

6. Fuel Quantity Indicators -- CHECK QUANTITY.
7. Avionics Cooling Fan -- CHECK AUDIBLY FOR OPERATION.
8. Low-Vacuum Warning Light -- CHECK ON.
9. Master Switch -- OFF.
10. Fuel Shutoff Valve -- ON.

#### ② EMPENNAGE

1. Rudder Gust Lock -- REMOVE.
2. Tail Tie-Down -- DISCONNECT.
3. Control Surfaces -- CHECK freedom of movement and security.

#### ③ RIGHT WING Trailing Edge

1. Aileron -- CHECK freedom of movement and security.

#### ④ RIGHT WING

1. Wing Tie-Down -- DISCONNECT.
2. Main Wheel Tire -- CHECK for proper inflation.
3. Fuel Line Quick-Drain Valve (on bottom of fuselage near cabin door) -- DRAIN at least a cupful of fuel (using sampler cup) to check for water, sediment, and proper fuel grade before first flight of day and after each refueling. If water is observed, take further

samples until clear and then gently rock wings and lower tail to the ground to move any additional contaminants to the sampling points. Take repeated samples from all drain points until all contamination has been removed.

4. Fuel Tank Sump Quick-Drain Valve -- DRAIN at least a cupful of fuel (using sampler cup) to check for water, sediment, and proper fuel grade before first flight of day and after each refueling. If water is observed, take further samples until clear and then gently rock wings and lower tail to the ground to move any additional contaminants to the sampling points. Take repeated samples from all drain points until all contamination has been removed.
5. Fuel Quantity -- CHECK VISUALLY for desired level.
6. Fuel Filler Cap -- SECURE.

## 5 NOSE

1. Engine Oil Dipstick/Filler Cap -- CHECK oil level, then check dipstick/filler cap SECURE. Do not operate with less than four quarts. Fill to six quarts for extended flight.
2. Fuel Strainer Drain Knob -- PULL OUT for at least four seconds to clear strainer of possible water and sediment before first flight of day and after each refueling. Return drain knob full in and check strainer drain CLOSED. If water is observed, perform further draining at all drain points until clear and then gently rock wings and lower tail to the ground to move any additional contaminants to the sampling points. Take repeated samples from all drain points until all contamination has been removed.
3. Propeller and Spinner -- CHECK for nicks and security.
4. Engine Cooling Air Inlets and Oil Cooler -- CLEAR of obstructions.
5. Carburetor Air Filter -- CHECK for restrictions by dust or other foreign matter.
6. Nose Wheel Strut and Tire -- CHECK for proper inflation.
7. Nose Tie-Down -- DISCONNECT.
8. Static Source Opening (left side of fuselage) -- CHECK for stoppage.

## 6 LEFT WING

1. Fuel Quantity -- CHECK VISUALLY for desired level.
2. Fuel Filler Cap -- SECURE.
3. Fuel Tank Sump Quick-Drain Valve -- DRAIN at least a cupful of fuel (using sampler cup) to check for water, sediment, and proper fuel grade before first flight of day and after each refueling. If water is observed, take further samples until clear and then gently rock wings and lower tail to the ground to move any additional contaminants to the sampling points. Take repeated samples from all drain points until all contamination has been removed.

4. Main Wheel Tire -- CHECK for proper inflation.

### ⑦ LEFT WING Leading Edge

1. Pitot Tube Cover -- REMOVE and check opening for stoppage.
2. Stall Warning Opening -- CHECK for stoppage. To check the system, place a clean handkerchief over the vent opening and apply suction; a sound from the warning horn will confirm system operation.
3. Fuel Tank Vent Opening -- CHECK for stoppage.
4. Wing Tie-Down -- DISCONNECT.
5. Landing Light(s) -- CHECK for condition and cleanliness of lens.

### ⑧ LEFT WING Trailing Edge

1. Aileron -- CHECK freedom of movement and security.

## BEFORE STARTING ENGINE

1. Preflight Inspection -- COMPLETE.
2. Passenger Briefing -- COMPLETE.
3. Seats, Seat Belts, Shoulder Harnesses -- ADJUST and LOCK.
4. Brakes -- TEST and SET.
5. Electrical Equipment -- OFF.
6. Radios -- OFF.
7. Circuit Breakers -- CHECK IN.
8. Fuel Shutoff Valve -- ON.

## STARTING ENGINE (Temperatures Above Freezing)

### NOTE

For cold weather starting procedures, refer to page 4-23.

1. Prime -- AS REQUIRED (up to 3 strokes - none if engine is warm).
2. Carburetor Heat -- COLD.
3. Throttle -- OPEN 1/2 INCH (CLOSED if engine is warm).
4. Mixture -- RICH.
5. Propeller Area -- CLEAR.
6. Master Switch -- ON.
7. Ignition Switch -- START (release when engine starts).
8. Throttle -- ADJUST for 1000 RPM or less.
9. Oil Pressure -- CHECK.
10. Starter -- CHECK DISENGAGED (if starter were to remain engaged, ammeter would indicate two-thirds scale or more charge with engine running at 1000 RPM).
11. Navigation Lights and Flashing Beacon -- ON as required.
12. Radios -- ON.

## BEFORE TAKEOFF

1. Parking Brake -- SET.
2. Seats, Seat Belts, Shoulder Harnesses -- CHECK SECURE.
3. Cabin Doors -- CLOSED and LATCHED.
4. Flight Controls -- FREE and CORRECT.
5. Flight Instruments -- CHECK and SET.
6. Primer -- IN and LOCKED.
7. Fuel Quantity -- CHECK.
8. Fuel Shutoff Valve -- RECHECK ON.
9. Mixture -- RICH (below 3000 feet).
10. Elevator Trim -- SET for takeoff.
11. Throttle -- 1700 RPM.
  - a. Magnetos -- CHECK (RPM drop should not exceed 125 RPM on either magneto or 50 RPM differential between magnetos).
  - b. Carburetor Heat -- CHECK (for RPM drop).
  - c. Suction Gage -- CHECK.
  - d. Engine Instruments and Ammeter -- CHECK.
12. Throttle -- 1000 RPM OR LESS.
13. Throttle Friction Lock -- ADJUST.
14. Strobe Lights -- AS DESIRED.
15. Radios and Avionics -- SET.
16. Wing Flaps -- SET for takeoff (see Takeoff checklists).
17. Brakes -- RELEASE.

## TAKEOFF

### NORMAL TAKEOFF

1. Wing Flaps -- 0°- 10°.
2. Carburetor Heat -- COLD.
3. Throttle -- FULL OPEN.
4. Elevator Control -- LIFT NOSE WHEEL at 50 KIAS.
5. Climb Speed -- 65-75 KIAS.

### SHORT FIELD TAKEOFF

1. Wing Flaps -- 10°.
2. Carburetor Heat -- COLD.
3. Brakes -- APPLY.
4. Throttle -- FULL OPEN.
5. Mixture -- RICH (above 3000 feet, LEAN to obtain maximum RPM).
6. Brakes -- RELEASE.
7. Elevator Control -- SLIGHTLY TAIL LOW.
8. Climb Speed -- 54 KIAS (until all obstacles are cleared).
9. Wing Flaps -- RETRACT slowly after reaching 60 KIAS.



## ENROUTE CLIMB

1. Airspeed -- 70-80 KIAS.

### NOTE

If a maximum performance climb is necessary, use speeds shown in the Maximum Rate Of Climb chart in Section 5.

2. Throttle -- FULL OPEN.
3. Mixture -- RICH below 3000 feet, LEAN for maximum RPM above 3000 feet (after a total of 50 hours has accumulated).

## CRUISE

1. Power -- 1900-2550 RPM (no more than 75% is recommended).
2. Elevator Trim -- ADJUST.
3. Mixture -- LEAN.

## DESCENT

1. Carburetor Heat -- FULL HEAT AS REQUIRED.
2. Power -- AS DESIRED.
3. Mixture -- ADJUST for smooth operation (full rich for idle power).

## BEFORE LANDING

1. Seats, Seat Belts, Shoulder Harnesses -- ADJUST and LOCK.
2. Mixture -- RICH.
3. Carburetor Heat -- ON (apply full heat before reducing power).

## LANDING

### NORMAL LANDING

1. Airspeed -- 60-70 KIAS (flaps UP).
2. Wing Flaps -- AS DESIRED (below 85 KIAS).
3. Airspeed -- 55-65 KIAS (flaps DOWN).
4. Touchdown -- MAIN WHEELS FIRST.
5. Landing Roll -- LOWER NOSE WHEEL GENTLY.
6. Braking -- MINIMUM REQUIRED.

## SHORT FIELD LANDING

1. Airspeed -- 60-70 KIAS (flaps UP).
2. Wing Flaps -- 30° (below 85 KIAS).
3. Airspeed -- MAINTAIN 54 KIAS.
4. Power -- REDUCE to idle as obstacle is cleared.
5. Touchdown -- MAIN WHEELS FIRST.
6. Brakes -- APPLY HEAVILY.
7. Wing Flaps -- RETRACT.

## BALKED LANDING

1. Throttle -- FULL OPEN.
2. Carburetor Heat -- COLD.
3. Wing Flaps -- RETRACT to 20°.
4. Airspeed -- 55 KIAS.
5. Wing Flaps -- RETRACT (slowly).

## AFTER LANDING

1. Carburetor Heat -- COLD.
2. Wing Flaps -- UP.

## SECURING AIRPLANE

1. Parking Brake -- SET.
2. Electrical Equipment -- OFF.
3. Radios and Avionics -- OFF.
4. Mixture -- IDLE CUT-OFF (pull full out).
5. Ignition Switch -- OFF.
6. Master Switch -- OFF.
7. Control Lock -- INSTALL.

## AMPLIFIED PROCEDURES

### PREFLIGHT INSPECTION

The Preflight Inspection, described in figure 4-1 and adjacent checklist, is recommended for the first flight of the day. Inspection procedures for subsequent flights are normally limited to brief checks of control surface hinges, fuel and oil quantity, and security of fuel and oil filler caps and draining of the fuel strainer. If the airplane has been in extended storage, has had recent major maintenance, or has been operated from marginal airports, a more extensive exterior inspection is recommended.

After major maintenance has been performed, the flight and trim tab controls should be double-checked for free and correct movement and security. The security of all inspection plates on the airplane should be checked following periodic inspection. If the airplane has been waxed or polished, check the external static pressure source hole for stoppage.

If the airplane has been exposed to much ground handling in a crowded hangar, it should be checked for dents and scratches on wings, fuselage, and tail surfaces, as well as damage to navigation and anti-collision lights, and avionic antennas.

Outside storage for long periods may result in dust and dirt accumulation on the induction air filter, obstructions in airspeed system lines, and condensation in fuel tanks. If any water is detected in the fuel system, the fuel tank sump quick-drain valves, fuel line quick-drain valve, and fuel strainer should all be thoroughly drained again. Then, the wings should be gently rocked and the tail lowered to the ground to move any further contaminants to the sampling points. Repeated samples should be taken from all drain points until all contamination has been removed. If, after repeated sampling, evidence of contamination still exists, the fuel tanks should be completely drained and the fuel system cleaned. Outside storage in windy or gusty areas, or tie-down adjacent to taxiing airplanes, calls for special attention to control surface stops, hinges, and brackets to detect the presence of wind damage.

If the airplane has been operated from muddy fields or in snow or slush, check the main and nose gear wheel fairings for obstructions and cleanliness. Operation from a gravel or cinder field will require extra attention to propeller tips and abrasion on leading edges of the horizontal tail. Stone damage to the propeller can seriously reduce the fatigue life of the blades.

Airplanes that are operated from rough fields, especially at high

altitudes, are subjected to abnormal landing gear abuse. Frequently check all components of the landing gear, shock strut, tires, and brakes. If the shock strut is insufficiently extended, undue landing and taxi loads will be subjected on the airplane structure.

To prevent loss of fuel in flight, make sure the fuel tank filler caps are tightly sealed after any fuel system check or servicing. Fuel system vents should also be inspected for obstructions, ice or water, especially after exposure to cold, wet weather.

## **STARTING ENGINE (Temperatures Above Freezing)**

During engine starting, open the throttle approximately 1/2 inch. In warm weather, one stroke of the primer should be sufficient. In temperatures near freezing, up to 3 strokes of the primer may be necessary. As the engine starts, slowly adjust the throttle as required for 1000 RPM or less. If the engine is still warm from previous operation, it may be started with the throttle closed and no priming.

Weak intermittent firing followed by puffs of black smoke from the exhaust stack indicates overpriming or flooding. Excess fuel can be cleared from the combustion chambers by the following procedure: set the mixture control in the idle cut-off position, the throttle full open, and crank the engine through several revolutions with the starter. Repeat the starting procedure without any additional priming.

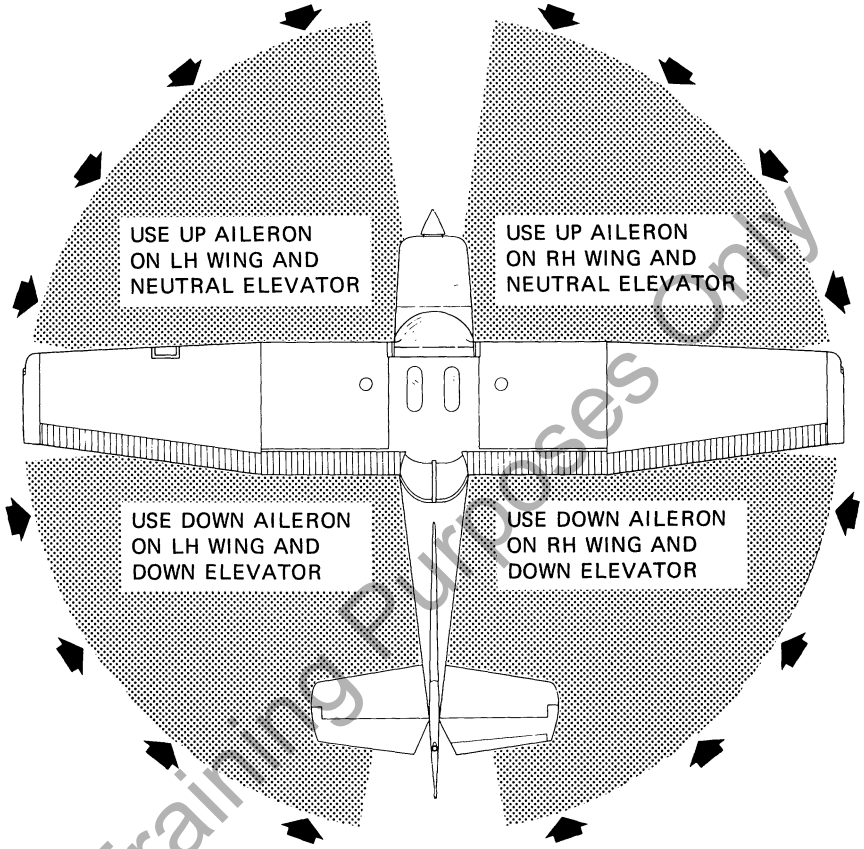
If the engine is underprimed (most likely in cold weather with a cold engine) it will not fire at all, and additional priming will be necessary.

After starting, if the oil gage does not begin to show pressure within 30 seconds in the summertime and about twice that long in very cold weather, stop the engine and investigate. Lack of oil pressure can cause serious engine damage. After starting, avoid the use of carburetor heat unless icing conditions prevail.

### **NOTE**

Details concerning cold weather starting and operation at temperatures below freezing may be found under Cold Weather Operation paragraphs in this section.

After the completion of normal engine starting procedures, it is a good practice to verify that the engine starter has disengaged. If the starter contactor were to stick closed, causing the starter to remain engaged, an excessively high charge indication (two-thirds scale or more at 1000 RPM) would be evident on the ammeter. In this event, immediately shut down the engine and take corrective action prior to flight.



**CODE**

WIND DIRECTION



**NOTE**

Strong quartering tail winds require caution. Avoid sudden bursts of the throttle and sharp braking when the airplane is in this attitude. Use the steerable nose wheel and rudder to maintain direction.

Figure 4-2. Taxiing Diagram

## TAXIING

When taxiing, it is important that speed and use of brakes be held to a minimum and that all controls be utilized (see Taxiing Diagram, figure 4-2) to maintain directional control and balance.

The carburetor heat control knob should be pushed full in during all ground operations unless heat is absolutely necessary. When the knob is pulled out to the heat position, air entering the engine is not filtered.

Taxiing over loose gravel or cinders should be done at low engine speed to avoid abrasion and stone damage to the propeller tips.

The nose wheel is designed to automatically center straight ahead when the nose strut is fully extended. In the event the nose strut is over-inflated and the airplane is loaded to a rearward center of gravity position, it may be necessary to partially compress the strut to permit steering. This can be accomplished prior to taxiing by depressing the airplane nose (by hand) or during taxi by sharply applying brakes.

## BEFORE TAKEOFF

### WARM-UP

Most of the warm-up will have been conducted during taxi, and additional warm-up before takeoff should be restricted to the checklist procedures. Since the engine is closely cowled for efficient in-flight cooling, precautions should be taken to avoid overheating on the ground.

### MAGNETO CHECK

The magneto check should be made at 1700 RPM as follows. Move ignition switch first to R position and note RPM. Next move switch back to BOTH to clear the other set of plugs. Then move switch to the L position, note RPM and return the switch to the BOTH position. RPM drop should not exceed 125 RPM on either magneto or show greater than 50 RPM differential between magnetos. If there is a doubt concerning operation of the ignition system, RPM checks at higher engine speeds will usually confirm whether a deficiency exists.

An absence of RPM drop may be an indication of faulty grounding of one side of the ignition system or should be cause for suspicion that the magneto timing is set in advance of the setting specified.

### ALTERNATOR CHECK

Prior to flights where verification of proper alternator and alternator

control unit operation is essential (such as night or instrument flights), a positive verification can be made by loading the electrical system momentarily (3 to 5 seconds) with the landing light, or by operating the wing flaps during the engine runup (1700 RPM). The ammeter will remain within a needle width of its initial position if the alternator and alternator control unit are operating properly.

#### NOTE

If landing lights are to be used to enhance the conspicuity of the airplane in the traffic pattern or enroute, it is recommended that only the taxi light be used. This will extend the service life of the landing light appreciably.

## TAKEOFF

### POWER CHECK

It is important to check full-throttle engine operation early in the takeoff roll. Any sign of rough engine operation or sluggish engine acceleration is good cause for discontinuing the takeoff. If this occurs, you are justified in making a thorough full-throttle static runup before another takeoff is attempted. The engine should run smoothly and turn approximately 2280 to 2380 RPM with carburetor heat off and mixture leaned to maximum RPM. The static RPM check should be made in no-wind conditions. It is normal for static RPM to increase as temperature increases. For further information, refer to the Service Manual.

Full throttle runups over loose gravel are especially harmful to propeller tips. When takeoffs must be made over a gravel surface, it is very important that the throttle be advanced slowly. This allows the airplane to start rolling before high RPM is developed, and the gravel will be blown back of the propeller rather than pulled into it. When unavoidable small dents appear in the propeller blades, they should be immediately corrected as described in Section 8 under Propeller Care.

Prior to takeoff from fields above 3000 feet elevation, the mixture should be leaned to give maximum RPM in a full-throttle, static runup.

After full throttle is applied, adjust the throttle friction lock clockwise to prevent the throttle from creeping back from a maximum power position. Similar friction lock adjustment should be made as required in other flight conditions to maintain a fixed throttle setting.

## WING FLAP SETTINGS

Normal takeoffs are accomplished with wing flaps 0°- 10°. Using 10°

wing flaps reduces the total distance over an obstacle by approximately 10%. Flap deflections greater than 10° are not approved for takeoff. If 10° wing flaps are used for takeoff, they should be left down until all obstacles are cleared and a safe flap retraction speed of 60 KIAS is reached.

On a short field, 10° wing flaps and an obstacle clearance speed of 54 KIAS should be used. This speed provides the best overall climb speed to clear obstacles when taking into account turbulence often found near ground level.

Soft or rough field takeoffs are performed with 10° wing flaps by lifting the airplane off the ground as soon as practical in a slightly tail-low attitude. If no obstacles are ahead, the airplane should be leveled off immediately to accelerate to a higher climb speed.

## CROSSWIND TAKEOFF

Takeoffs into strong crosswinds normally are performed with the minimum flap setting necessary for the field length, to minimize the drift angle immediately after takeoff. With the ailerons partially deflected into the wind, the airplane is accelerated to a speed slightly higher than normal, and then pulled off abruptly to prevent possible settling back to the runway while drifting. When clear of the ground, make a coordinated turn into the wind to correct for drift.

## ENROUTE CLIMB

Normal climbs are performed with flaps up and full throttle and at speeds 5 to 10 knots higher than best rate-of-climb speeds for the best combination of performance, visibility and engine cooling. The mixture should be full rich below 3000 feet and may be leaned above 3000 feet for smoother operation or to obtain maximum RPM.

### NOTE

Leaning is not recommended until a total of 50 hours has accumulated.

For maximum rate of climb, use the best rate-of-climb speeds shown in the Rate-Of-Climb chart in Section 5. If an obstruction dictates the use of a steep climb angle, the best angle-of-climb speed should be used with flaps up and maximum power. Climbs at speeds lower than the best rate-of-climb speed should be of short duration to improve engine cooling.

## CRUISE

Normal cruising is performed between 55% and 75% power. The engine RPM and corresponding fuel consumption for various altitudes can be determined by using the data in Section 5.



| ALTITUDE            | 75% POWER |      | 65% POWER |      | 55% POWER |      |
|---------------------|-----------|------|-----------|------|-----------|------|
|                     | KTAS      | NMPG | KTAS      | NMPG | KTAS      | NMPG |
| 2500 Feet           | 101       | 16.4 | 95        | 17.6 | 87        | 18.6 |
| 5500 Feet           | 103       | 16.9 | 97        | 18.0 | 89        | 19.0 |
| 8500 Feet           | 106       | 17.3 | 99        | 18.4 | 91        | 19.4 |
| Standard Conditions |           |      |           |      | Zero Wind |      |

Figure 4-3. Cruise Performance Table

**NOTE**

Cruising should be done at 75% power as much as practicable until a total of 50 hours has accumulated or oil consumption has stabilized. Operation at this higher power will ensure proper seating of the rings and is applicable to new engines, and engines in service following cylinder replacement or top overhaul of one or more cylinders.

The data in Section 5 shows the increased range and improved fuel economy that is obtainable when operating at lower power settings. The use of lower power settings and the selection of cruise altitude on the basis of the most favorable wind conditions are significant factors that should be considered on every trip to reduce fuel consumption.

The Cruise Performance Table, figure 4-3, shows the true airspeed and nautical miles per gallon during cruise for various altitudes and percent powers. This table should be used as a guide, along with the available winds aloft information, to determine the most favorable altitude and power setting for a given trip.

To achieve the recommended lean mixture fuel consumption figures shown in Section 5, the mixture should be leaned until engine RPM peaks and drops 10-25 RPM. At lower powers it may be necessary to enrich the mixture slightly to obtain smooth operation. An alternate method for obtaining the above cruise mixture setting in rough air is to lean until engine roughness or a sharp drop off in power is experienced and then immediately enrichen the mixture by rotating the mixture control vernier approximately 3/4 of a turn clockwise.

| MIXTURE DESCRIPTION | EXHAUST GAS TEMPERATURE |
|---------------------|-------------------------|
| RECOMMENDED LEAN    | 25°F Rich of Peak EGT   |
| BEST ECONOMY        | Peak EGT                |

Figure 4-4. EGT Table

Use of recommended lean mixture rather than that for maximum RPM can provide fuel savings of up to 10% and an increase in flight endurance of approximately 20 minutes based on standard fuel tanks and 75% power. Use of recommended lean mixture rather than full rich mixture can provide fuel savings as high as 34% and an increase in flight endurance of approximately one hour when operating at an altitude of 7500 feet with 75% power and standard fuel tanks.

Carburetor ice, as evidenced by an unexplained drop in RPM, can be removed by application of full carburetor heat. Upon regaining the original RPM (with heat off), use the minimum amount of heat (by trial and error) to prevent ice from forming. Since the heated air causes a richer mixture, readjust the mixture setting when carburetor heat is to be used continuously in cruise flight.

The use of full carburetor heat is recommended during flight in very heavy rain to avoid the possibility of engine stoppage due to excessive water ingestion. The mixture setting should be readjusted for smoothest operation.

### LEANING WITH A CESSNA ECONOMY MIXTURE INDICATOR (EGT)

Exhaust gas temperature (EGT) as shown on the optional Cessna Economy Mixture Indicator may be used as an aid for mixture leaning in cruising flight at 75% power or less. To adjust the mixture, using this indicator, lean the mixture slowly to establish the peak EGT as a reference point and then enrichen the mixture by the desired increment based on figure 4-4.

#### NOTE

For best accuracy, lean in small increments while waiting approximately 10 seconds between increments when near-

ing peak EGT. This is to enable the pilot to observe the stabilized EGT for each mixture setting.

As noted in this table, operation at peak EGT provides the best fuel economy. This results in approximately 5% greater range than shown in this handbook accompanied by approximately a 2 knot decrease in speed.

Under some conditions, engine roughness may occur while operating at peak EGT. In this case, operate at the recommended lean mixture. Any change in altitude or throttle position will require a recheck of EGT indication.

## FUEL SAVINGS PROCEDURES FOR FLIGHT TRAINING OPERATIONS

For best fuel economy during flight training operations, the following procedures are recommended.

1. Lean the mixture for maximum RPM during climbs above 3000 feet (after 50 hours has accumulated). The mixture may be left leaned for practicing such maneuvers as stalls.
2. Lean the mixture for maximum RPM during all operations at any altitude, including those below 3000 feet, when using 75% or less power.

### NOTE

When cruising at 75% or less power, the mixture may be further leaned until the RPM peaks and drops 10-25 RPM. This is especially applicable to cross-country training flights, but may also be practiced during transition flights to and from the practice area.

Using the above recommended procedures can provide fuel savings in excess of 5% when compared to typical training operations at full rich mixture.

## STALLS

The stall characteristics are conventional for the flaps up and flaps down condition. The stall warning horn produces a steady signal 5 to 10 knots before the actual stall is reached and remains on until the airplane flight attitude is changed. Stall speeds for various combinations of flap setting and bank angle are summarized in Section 5.

## SPINS

Intentional spins are approved in this airplane (see Section 2). Before attempting to perform spins, however, several items should be carefully considered to assure a safe flight. No spins should be attempted without first having received dual instruction in both spin entries and spin recoveries from a qualified instructor who is familiar with the spin characteristics of the Cessna 152.

The cabin should be clean and all loose equipment (including the microphone) should be stowed. For a solo flight in which spins will be conducted, the copilot's seat belt and shoulder harness should be secured. **Spins with baggage loadings or occupied child's seat are not approved.**

The seat belts and shoulder harnesses should be adjusted to provide proper restraint during all anticipated flight conditions. However, care should be taken to ensure that the pilot can easily reach the flight controls and produce maximum control travels.

It is recommended that, where feasible, entries be accomplished at high enough altitude that recoveries are completed 4000 feet or more above ground level. At least 1000 feet of altitude loss should be allowed for a 1-turn spin and recovery, while a 6-turn spin and recovery may require somewhat more than twice that amount. For example, the recommended entry altitude for a 6-turn spin would be 6000 feet above ground level. In any case, entries should be planned so that recoveries are completed **well above** the minimum 1500 feet above ground level required by FAR 91.71. Another reason for using high altitudes for practicing spins is that a greater field of view is provided which will assist in maintaining pilot orientation.

The normal entry is made from a power-off stall. As the stall is approached, the elevator control should be smoothly pulled to the full aft position. Just prior to reaching the stall "break", rudder control in the desired direction of the spin rotation should be applied so that full rudder deflection is reached almost simultaneously with reaching full aft elevator. A slightly greater rate of deceleration than for normal stall entries or the use of partial power at the entry will assure more consistent and positive entries to the spin. Both elevator and rudder controls should be held full with the spin until the spin recovery is initiated. An inadvertent relaxation of either of these controls could result in the development of a nose-down spiral.

### NOTE

Careful attention should be taken to assure that the aileron control is neutral during all phases of the spin since any

aileron deflection in the direction of the spin may alter the spin characteristics by increasing the rotation rate and changing the pitch attitude.

For the purpose of training in spins and spin recoveries, a 1 to 2-turn spin is adequate and should be used. Up to 2 turns, the spin will progress to a fairly rapid rate of rotation and a steep attitude. Application of recovery controls will produce prompt recoveries of from 1/4 to 1/2 of a turn.

If the spin is continued beyond the 2 to 3-turn range, some change in character of the spin may be noted. Rotation rates may vary and some additional sideslip may be felt. Normal recoveries from such extended spins may take up to a full turn or more.

Regardless of how many turns the spin is held or how it is entered, the following recovery technique should be used:

1. VERIFY THAT AILERONS ARE NEUTRAL AND THROTTLE IS IN IDLE POSITION.
2. APPLY AND **HOLD** FULL RUDDER OPPOSITE TO THE DIRECTION OF ROTATION.
3. JUST **AFTER** THE RUDDER REACHES THE STOP, MOVE THE CONTROL WHEEL **BRISKLY** FORWARD FAR ENOUGH TO BREAK THE STALL. Full down elevator may be required at aft center of gravity loadings to assure optimum recoveries.
4. **HOLD** THESE CONTROL INPUTS UNTIL ROTATION STOPS. Premature relaxation of the control inputs may extend the recovery.
5. AS ROTATION STOPS, NEUTRALIZE RUDDER, AND MAKE A SMOOTH RECOVERY FROM THE RESULTING DIVE.

#### NOTE

If disorientation precludes a visual determination of the direction of rotation, the symbolic airplane in the turn coordinator may be referred to for this information.

Variations in basic airplane rigging or in weight and balance due to installed equipment or cockpit occupancy can cause differences in behavior, particularly in extended spins. These differences are normal and will result in variations in the spin characteristics and in the recovery lengths for spins of more than 3 turns. However, the above recovery procedure should always be used and will result in the most expeditious recovery from any spin.

Intentional spins with flaps extended are prohibited, since the high speeds which may occur during recovery are potentially damaging to the flap/wing structure.

## LANDING

### NORMAL LANDING

Normal landing approaches can be made with power-on or power-off at speeds of 60 to 70 KIAS with flaps up, and 55 to 65 KIAS with flaps down. Surface winds and air turbulence are usually the primary factors in determining the most comfortable approach speeds.

Actual touchdown should be made with power-off and on the main wheels first. The nose wheel should be lowered smoothly to the runway as speed is diminished.

### SHORT FIELD LANDING

For a short field landing in smooth air conditions, make an approach at 54 KIAS with 30° flaps using enough power to control the glide path. After all approach obstacles are cleared, progressively reduce power and maintain 54 KIAS by lowering the nose of the airplane. Touchdown should be made with power-off and on the main wheels first. Immediately after touchdown, lower the nose wheel and apply heavy braking as required. For maximum brake effectiveness, retract the flaps, hold full nose-up elevator, and apply maximum brake pressure without sliding the tires.

Slightly higher approach speeds should be used under turbulent air conditions.

### CROSSWIND LANDING

When landing in a strong crosswind, use the minimum flap setting required for the field length. Use a wing low, crab, or a combination method of drift correction and land in a nearly level attitude.

### BALKED LANDING

In a balked landing (go-around) climb, the wing flap setting should be reduced to 20° immediately after full power is applied. Upon reaching a safe airspeed, the flaps should be slowly retracted to the full up position.

## COLD WEATHER OPERATION

Special consideration should be given to the operation of the airplane fuel system during the winter season or prior to any flight in cold temperatures. Proper preflight draining of the fuel system is especially important and will eliminate any free water accumulation. The use of additives such

as isopropyl alcohol or ethylene glycol monomethyl ether may also be desirable. Refer to Section 8 for information on the proper use of additives.

Cold weather often causes conditions which require special care during airplane operations. Even small accumulations of frost, ice, or snow must be removed, particularly from wing, tail and all control surfaces to assure satisfactory flight performance and handling. Also, control surfaces must be free of any internal accumulations of ice or snow.

If snow or slush covers the takeoff surface, allowance must be made for takeoff distances which will be increasingly extended as the snow or slush depth increases. The depth and consistency of this cover can in fact prevent takeoff in many instances.

Prior to starting with temperatures below freezing, it is advisable to pull the propeller through several times by hand to "break loose" or "limber" the oil, thus conserving battery energy.

#### NOTE

When pulling the propeller through by hand, treat it as if the ignition switch is turned on. A loose or broken ground wire on either magneto could cause the engine to fire.

Preheat is generally required with outside air temperatures below  $-18^{\circ}\text{C}$  ( $0^{\circ}\text{F}$ ) and is recommended when temperatures are below  $-7^{\circ}\text{C}$  ( $20^{\circ}\text{F}$ ).

Cold weather starting procedures are as follows:

#### With Preheat:

1. Parking Brake -- SET.
2. Ignition Switch -- OFF.
3. Throttle -- CLOSED.
4. Mixture -- IDLE CUT-OFF.
5. Prime -- 2 to 4 STROKES as the propeller is being turned over by hand. RECHARGE for priming after engine start.

#### NOTE

Caution should be used to ensure the brakes are set or a qualified person is at the controls.

6. Throttle -- OPEN  $1/2$  to  $3/4$  INCH.
7. Mixture -- RICH.
8. Propeller Area -- CLEAR.

9. Master Switch -- ON.
10. Ignition Switch -- START (release when engine starts).
11. Prime -- AS REQUIRED until the engine runs smoothly.
12. Throttle -- ADJUST for 1200 to 1500 RPM for approximately one minute after which the RPM can be lowered to 1000 or less.
13. Oil Pressure -- CHECK.
14. Primer -- LOCK.

**Without Preheat:**

The procedure for starting without preheat is the same as with preheat except the engine should be primed an additional two strokes while pulling the propeller through by hand. Carburetor heat should be applied after the engine starts. Leave the carburetor heat on until the engine runs smoothly.

**NOTE**

If the engine fires but does not start or continue running, repeat the above starting procedure beginning with step 5. If the engine does not start during the first few attempts, or if engine firing diminishes in strength, it is possible that the spark plugs have been frosted over, in which case preheat must be used before another start is attempted.

During cold weather operations, no indication will be apparent on the oil temperature gage prior to takeoff if outside air temperatures are very cold. After a suitable warm-up period (2 to 5 minutes at 1000 RPM), accelerate the engine several times to higher engine RPM. If the engine accelerates smoothly and oil pressure remains normal and steady, the airplane is ready for takeoff.

When operating in temperatures below  $-18^{\circ}\text{C}$ , avoid using partial carburetor heat. Partial heat may increase the carburetor air temperature to the  $0^{\circ}$  to  $21^{\circ}\text{C}$  range, where icing is critical under certain atmospheric conditions.

## **NOISE CHARACTERISTICS**

Increased emphasis on improving the quality of our environment requires renewed effort on the part of all pilots to minimize the effect of airplane noise on the public.

We, as pilots, can demonstrate our concern for environmental improvement, by application of the following suggested procedures, and thereby tend to build public support for aviation:



1. Pilots operating aircraft under VFR over outdoor assemblies of persons, recreational and park areas, and other noise-sensitive areas should make every effort to fly not less than 2000 feet above the surface, weather permitting, even though flight at a lower level may be consistent with the provisions of government regulations.
2. During departure from or approach to an airport, climb after takeoff and descent for landing should be made so as to avoid prolonged flight at low altitude near noise-sensitive areas.

**NOTE**

The above recommended procedures do not apply where they would conflict with Air Traffic Control clearances or instructions, or where, in the pilot's judgment, an altitude of less than 2000 feet is necessary for him to adequately exercise his duty to see and avoid other aircraft.

The certificated noise level for the Model 152 at 1670 pounds maximum weight is 66.3 dB(A). No determination has been made by the Federal Aviation Administration that the noise levels of this airplane are or should be acceptable or unacceptable for operation at, into, or out of, any airport.

For Training Purposes Only

# SECTION 5 PERFORMANCE

## TABLE OF CONTENTS

|  | Page |
|--|------|
| Introduction . . . . .                                       | 5-3  |
| Use of Performance Charts . . . . .                          | 5-3  |
| Sample Problem . . . . .                                     | 5-3  |
| Takeoff . . . . .  | 5-4  |
| Cruise . . . . .   | 5-5  |
| Fuel Required . . . . .                                      | 5-5  |
| Landing . . . . .  | 5-7  |
| Demonstrated Operating Temperature . . . . .                 | 5-7  |
| Figure 5-1, Airspeed Calibration . . . . .                   | 5-8  |
| Figure 5-2, Temperature Conversion Chart . . . . .           | 5-9  |
| Figure 5-3, Stall Speeds . . . . .                           | 5-10 |
| Figure 5-4, Wind Components . . . . .                        | 5-11 |
| Figure 5-5, Takeoff Distance . . . . .                       | 5-12 |
| Figure 5-6, Maximum Rate Of Climb . . . . .                  | 5-13 |
| Figure 5-7, Time, Fuel, And Distance To Climb . . . . .      | 5-14 |
| Figure 5-8, Cruise Performance . . . . .                     | 5-15 |
| Figure 5-9, Range Profile - 24.5 Gallons Fuel . . . . .      | 5-16 |
| Range Profile - 37.5 Gallons Fuel . . . . .                  | 5-17 |
| Figure 5-10, Endurance Profile - 24.5 Gallons Fuel . . . . . | 5-18 |
| Endurance Profile - 37.5 Gallons Fuel . . . . .              | 5-19 |
| Figure 5-11, Landing Distance . . . . .                      | 5-20 |

For Training Purposes Only

## INTRODUCTION

Performance data charts on the following pages are presented so that you may know what to expect from the airplane under various conditions, and also, to facilitate the planning of flights in detail and with reasonable accuracy. The data in the charts has been computed from actual flight tests with the airplane and engine in good condition and using average piloting techniques.

It should be noted that the performance information presented in the range and endurance profile charts allows for 45 minutes reserve fuel at the specified cruise power. Fuel flow data for cruise is based on the recommended lean mixture setting. Some indeterminate variables such as mixture leaning technique, fuel metering characteristics, engine and propeller condition, and air turbulence may account for variations of 10% or more in range and endurance. Therefore, it is important to utilize all available information to estimate the fuel required for the particular flight.

## USE OF PERFORMANCE CHARTS

Performance data is presented in tabular or graphical form to illustrate the effect of different variables. Sufficiently detailed information is provided in the tables so that conservative values can be selected and used to determine the particular performance figure with reasonable accuracy.

## SAMPLE PROBLEM

The following sample flight problem utilizes information from the various charts to determine the predicted performance data for a typical flight. The following information is known:

### AIRPLANE CONFIGURATION

|                |              |
|----------------|--------------|
| Takeoff weight | 1610 Pounds  |
| Usable fuel    | 24.5 Gallons |

### TAKEOFF CONDITIONS

|                             |                            |
|-----------------------------|----------------------------|
| Field pressure altitude     | 1500 Feet                  |
| Temperature                 | 28°C (16°C above standard) |
| Wind component along runway | 12 Knot Headwind           |
| Field length                | 3500 Feet                  |

**CRUISE CONDITIONS**

|                       |                            |
|-----------------------|----------------------------|
| Total distance        | 265 Nautical Miles         |
| Pressure altitude     | 5500 Feet                  |
| Temperature           | 20°C (16°C above standard) |
| Expected wind enroute | 10 Knot Headwind           |

**LANDING CONDITIONS**

|                         |           |
|-------------------------|-----------|
| Field pressure altitude | 2000 Feet |
| Temperature             | 25°C      |
| Field length            | 3000 Feet |

**TAKEOFF**

The takeoff distance chart, figure 5-5, should be consulted, keeping in mind that the distances shown are based on the short field technique. Conservative distances can be established by reading the chart at the next higher value of altitude and temperature. For example, in this particular sample problem, the takeoff distance information presented for a pressure altitude of 2000 feet and a temperature of 30°C should be used and results in the following:

|  |           |
|--|-----------|
| Ground roll                                | 980 Feet  |
| Total distance to clear a 50-foot obstacle | 1820 Feet |

These distances are well within the available takeoff field length. However, a correction for the effect of wind may be made based on Note 3 of the takeoff chart. The correction for a 12 knot headwind is:

$$\frac{12 \text{ Knots}}{9 \text{ Knots}} \times 10\% = 13\% \text{ Decrease}$$

This results in the following distances, corrected for wind:

|   |            |
|---|------------|
| Ground roll, zero wind                      | 980        |
| Decrease in ground roll<br>(980 feet × 13%) | <u>127</u> |
| Corrected ground roll                       | 853 Feet   |

|  |            |
|--|------------|
| Total distance to clear a<br>50-foot obstacle, zero wind | 1820       |
| Decrease in total distance<br>(1820 feet × 13%)          | <u>237</u> |
| Corrected total distance<br>to clear 50-foot obstacle    | 1583 Feet  |

## CRUISE

The cruising altitude should be selected based on a consideration of trip length, winds aloft, and the airplane's performance. A typical cruising altitude and the expected wind enroute have been given for this sample problem. However, the power setting selection for cruise must be determined based on several considerations. These include the cruise performance characteristics presented in figure 5-8, the range profile charts presented in figure 5-9, and the endurance profile charts presented in figure 5-10.

The relationship between power and range is illustrated by the range profile charts. Considerable fuel savings and longer range result when lower power settings are used. For this sample problem, a cruise power of approximately 65% will be used.

The cruise performance chart, figure 5-8, is entered at 6000 feet altitude and 20°C above standard temperature. These values most nearly correspond to the planned altitude and expected temperature conditions. The engine speed chosen is 2400 RPM, which results in the following:

|                  |           |
|------------------|-----------|
| Power            | 66%       |
| True airspeed    | 100 Knots |
| Cruise fuel flow | 5.5 GPH   |

## FUEL REQUIRED

The total fuel requirement for the flight may be estimated using the performance information in figures 5-7 and 5-8. For this sample problem, figure 5-7 shows that a climb from 2000 feet to 6000 feet requires 1 gallon of fuel. The corresponding distance during the climb is 9 nautical miles. These values are for a standard temperature and are sufficiently accurate for most flight planning purposes. However, a further correction for the effect of temperature may be made as noted on the climb chart. The approximate effect of a non-standard temperature is to increase the time, fuel, and distance by 10% for each 10°C above standard temperature, due to the lower rate of climb. In this case, assuming a temperature 16°C above standard, the correction would be:

$$\frac{16^{\circ}\text{C}}{10^{\circ}\text{C}} \times 10\% = 16\% \text{ Increase}$$

With this factor included, the fuel estimate would be calculated as follows:

|   |             |
|---|-------------|
| Fuel to climb, standard temperature                     | 1.0         |
| Increase due to non-standard temperature<br>(1.0 × 16%) | <u>0.2</u>  |
| Corrected fuel to climb                                 | 1.2 Gallons |

Using a similar procedure for the distance to climb results in 10 nautical miles.

The resultant cruise distance is:

|                 |                    |
|-----------------|--------------------|
| Total distance  | 265                |
| Climb distance  | <u>-10</u>         |
| Cruise distance | 255 Nautical Miles |

With an expected 10 knot headwind, the ground speed for cruise is predicted to be:

$$\begin{array}{r} 100 \\ -10 \\ \hline 90 \text{ Knots} \end{array}$$

Therefore, the time required for the cruise portion of the trip is:

$$\frac{255 \text{ Nautical Miles}}{90 \text{ Knots}} = 2.8 \text{ Hours}$$

The fuel required for cruise is:

$$2.8 \text{ hours} \times 5.5 \text{ gallons/hour} = 15.4 \text{ Gallons}$$

A 45-minute reserve requires:

$$\frac{45}{60} \times 5.5 \text{ gallons/hour} = 4.1 \text{ Gallons}$$

The total estimated fuel required is as follows:

|                                 |              |
|---------------------------------|--------------|
| Engine start, taxi, and takeoff | 0.8          |
| Climb                           | 1.2          |
| Cruise                          | 15.4         |
| Reserve                         | <u>4.1</u>   |
| Total fuel required             | 21.5 Gallons |



Once the flight is underway, ground speed checks will provide a more accurate basis for estimating the time enroute and the corresponding fuel required to complete the trip with ample reserve.

## LANDING

A procedure similar to takeoff should be used for estimating the landing distance at the destination airport. Figure 5-11 presents landing distances for various airport altitude and temperature combinations using the short field technique. The distances corresponding to 2000 feet and 30° C are as follows:

|  |           |
|--|-----------|
| Ground roll                                | 535 Feet  |
| Total distance to clear a 50-foot obstacle | 1300 Feet |

A correction for the effect of wind may be made based on Note 2 of the landing chart using the same procedure as outlined for takeoff.

## DEMONSTRATED OPERATING TEMPERATURE

Satisfactory engine cooling has been demonstrated for this airplane with an outside air temperature 23°C above standard. This is not to be considered as an operating limitation. Reference should be made to Section 2 for engine operating limitations.

## AIRSPEED CALIBRATION

CONDITIONS:

Power required for level flight or maximum rated RPM dive.

|           |    |    |    |    |    |    |     |     |     |     |     |     |
|-----------|----|----|----|----|----|----|-----|-----|-----|-----|-----|-----|
| FLAPS UP  |    |    |    |    |    |    |     |     |     |     |     |     |
| KIAS      | 40 | 50 | 60 | 70 | 80 | 90 | 100 | 110 | 120 | 130 | 140 |     |
| KCAS      | 46 | 53 | 60 | 69 | 78 | 88 | 97  | 107 | 117 | 127 | 136 |     |
| FLAPS 10° |    |    |    |    |    |    |     |     |     |     |     |     |
| KIAS      | 40 | 50 | 60 | 70 | 80 | 85 | --- | --- | --- | --- | --- | --- |
| KCAS      | 44 | 52 | 61 | 70 | 80 | 84 | --- | --- | --- | --- | --- | --- |
| FLAPS 30° |    |    |    |    |    |    |     |     |     |     |     |     |
| KIAS      | 40 | 50 | 60 | 70 | 80 | 85 | --- | --- | --- | --- | --- | --- |
| KCAS      | 43 | 51 | 61 | 71 | 82 | 87 | --- | --- | --- | --- | --- | --- |

Figure 5-1. Airspeed Calibration

## TEMPERATURE CONVERSION CHART

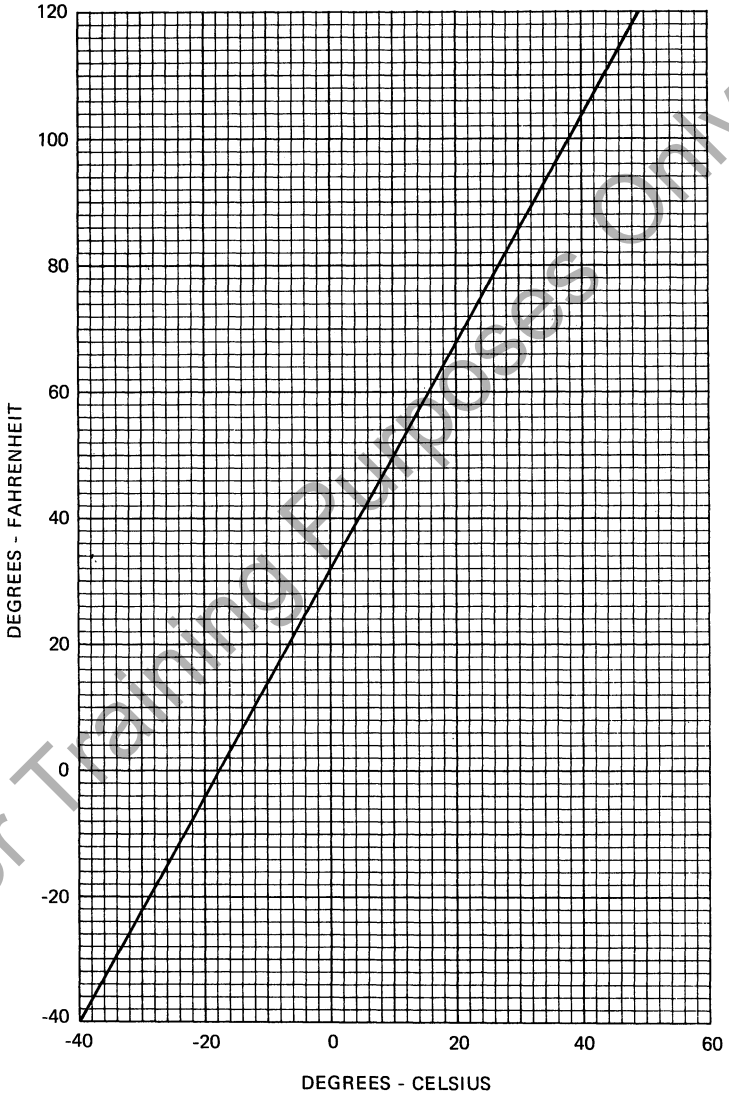


Figure 5-2. Temperature Conversion Chart

## STALL SPEEDS

**CONDITIONS:**

Power Off

**NOTES:**

- Altitude loss during a stall recovery may be as much as 160 feet.
- KIAS values are approximate and are based on airspeed calibration data with power off.

### MOST REARWARD CENTER OF GRAVITY

| WEIGHT<br>LBS | FLAP<br>DEFLECTION | ANGLE OF BANK |      |      |      |      |      |      |      |
|---------------|--------------------|---------------|------|------|------|------|------|------|------|
|               |                    | 0°            |      | 30°  |      | 45°  |      | 60°  |      |
|               |                    | KIAS          | KCAS | KIAS | KCAS | KIAS | KCAS | KIAS | KCAS |
| 1670          | UP                 | 36            | 46   | 39   | 49   | 43   | 55   | 51   | 65   |
|               | 10°                | 36            | 43   | 39   | 46   | 43   | 51   | 51   | 61   |
|               | 30°                | 31            | 41   | 33   | 44   | 37   | 49   | 44   | 58   |

### MOST FORWARD CENTER OF GRAVITY

| WEIGHT<br>LBS | FLAP<br>DEFLECTION | ANGLE OF BANK |      |      |      |      |      |      |      |
|---------------|--------------------|---------------|------|------|------|------|------|------|------|
|               |                    | 0°            |      | 30°  |      | 45°  |      | 60°  |      |
|               |                    | KIAS          | KCAS | KIAS | KCAS | KIAS | KCAS | KIAS | KCAS |
| 1670          | UP                 | 40            | 48   | 43   | 52   | 48   | 57   | 57   | 68   |
|               | 10°                | 40            | 46   | 43   | 49   | 48   | 55   | 57   | 65   |
|               | 30°                | 35            | 43   | 38   | 46   | 42   | 51   | 49   | 61   |

Figure 5-3. Stall Speeds

## WIND COMPONENTS

**NOTE:**

Maximum demonstrated crosswind velocity is 12 knots (not a limitation).

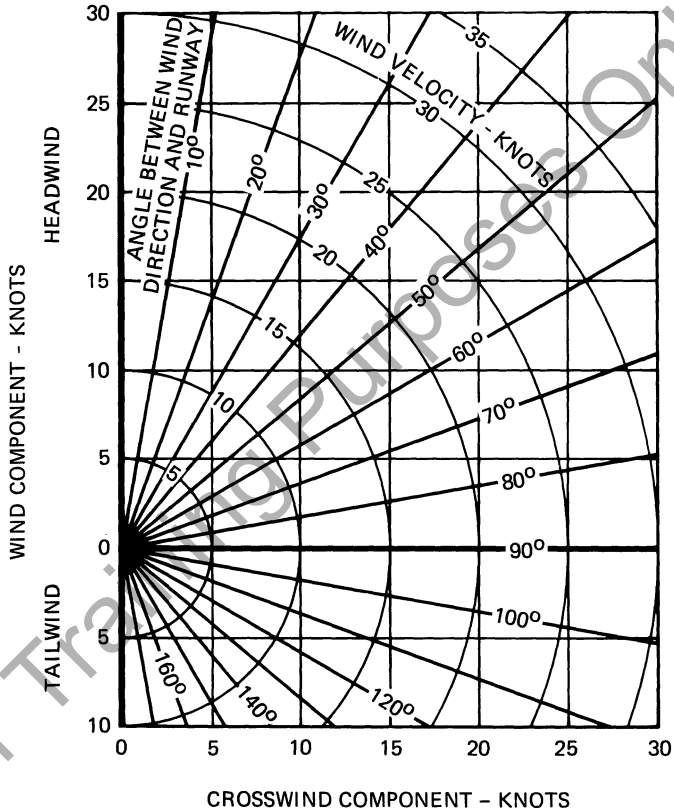


Figure 5-4. Wind Components

# TAKEOFF DISTANCE

## SHORT FIELD

**CONDITIONS:**

- Flaps 10°
- Full Throttle Prior to Brake Release
- Paved, Level, Dry Runway
- Zero Wind

**NOTES:**

1. Short field technique as specified in Section 4.
2. Prior to takeoff from fields above 3000 feet elevation, the mixture should be leaned to give maximum RPM in a full throttle, static runup.
3. Decrease distances 10% for each 9 knots headwind. For operation with tailwinds up to 10 knots, increase distances by 10% for each 2 knots.
4. For operation on a dry, grass runway, increase distances by 15% of the "ground roll" figure.

| WEIGHT<br>LBS | TAKEOFF<br>SPEED<br>KIAS |             | PRESS<br>ALT<br>FT | 0°C                |                                   |                    | 10°C                              |                    |                                   | 20°C               |                                   |                    | 30°C                              |                    |                                   | 40°C               |                                   |  |
|---------------|--------------------------|-------------|--------------------|--------------------|-----------------------------------|--------------------|-----------------------------------|--------------------|-----------------------------------|--------------------|-----------------------------------|--------------------|-----------------------------------|--------------------|-----------------------------------|--------------------|-----------------------------------|--|
|               | LIFT<br>OFF              | AT<br>50 FT |                    | GRND<br>ROLL<br>FT | TOTAL FT<br>TO CLEAR<br>50 FT OBS | GRND<br>ROLL<br>FT | TOTAL FT<br>TO CLEAR<br>50 FT OBS | GRND<br>ROLL<br>FT | TOTAL FT<br>TO CLEAR<br>50 FT OBS | GRND<br>ROLL<br>FT | TOTAL FT<br>TO CLEAR<br>50 FT OBS | GRND<br>ROLL<br>FT | TOTAL FT<br>TO CLEAR<br>50 FT OBS | GRND<br>ROLL<br>FT | TOTAL FT<br>TO CLEAR<br>50 FT OBS | GRND<br>ROLL<br>FT | TOTAL FT<br>TO CLEAR<br>50 FT OBS |  |
| 1670          | 50                       | 54          | S.L.               | 640                | 1190                              | 695                | 1290                              | 755                | 1390                              | 810                | 1495                              | 875                | 1605                              | 810                | 1495                              | 875                | 1605                              |  |
|               |                          |             | 1000               | 705                | 1310                              | 765                | 1420                              | 825                | 1530                              | 890                | 1645                              | 960                | 1770                              | 890                | 1645                              | 960                | 1770                              |  |
|               |                          |             | 2000               | 775                | 1445                              | 840                | 1565                              | 910                | 1690                              | 980                | 1820                              | 1055               | 1960                              | 980                | 1820                              | 1055               | 1960                              |  |
|               |                          |             | 3000               | 855                | 1600                              | 925                | 1730                              | 1000               | 1870                              | 1080               | 2020                              | 1165               | 2185                              | 1080               | 2020                              | 1165               | 2185                              |  |
|               |                          |             | 4000               | 940                | 1775                              | 1020               | 1920                              | 1100               | 2080                              | 1190               | 2250                              | 1285               | 2440                              | 1190               | 2250                              | 1285               | 2440                              |  |
|               |                          |             | 5000               | 1040               | 1970                              | 1125               | 2140                              | 1215               | 2320                              | 1315               | 2525                              | 1420               | 2750                              | 1315               | 2525                              | 1420               | 2750                              |  |
|               |                          |             | 6000               | 1145               | 2200                              | 1245               | 2395                              | 1345               | 2610                              | 1455               | 2855                              | 1570               | 3125                              | 1455               | 2855                              | 1570               | 3125                              |  |
|               |                          |             | 7000               | 1270               | 2470                              | 1375               | 2705                              | 1490               | 2960                              | 1615               | 3255                              | 1745               | 3590                              | 1615               | 3255                              | 1745               | 3590                              |  |
|               |                          | 8000        | 1405               | 2800               | 1525                              | 3080               | 1655                              | 3395               | 1795                              | 3765               | 1940                              | 4195               | 1795                              | 3765               | 1940                              | 4195               |                                   |  |

Figure 5-5. Takeoff Distance

## MAXIMUM RATE OF CLIMB

**CONDITIONS:**

Flaps Up  
Full Throttle

**NOTE:**

Mixture leaned above 3000 feet for maximum RPM.

| WEIGHT<br>LBS | PRESS<br>ALT<br>FT | CLIMB<br>SPEED<br>KIAS | RATE OF CLIMB - FPM |     |      |      |
|---------------|--------------------|------------------------|---------------------|-----|------|------|
|               |                    |                        | -20°C               | 0°C | 20°C | 40°C |
| 1670          | S.L.               | 67                     | 835                 | 765 | 700  | 630  |
|               | 2000               | 66                     | 735                 | 670 | 600  | 535  |
|               | 4000               | 65                     | 635                 | 570 | 505  | 445  |
|               | 6000               | 63                     | 535                 | 475 | 415  | 355  |
|               | 8000               | 62                     | 440                 | 380 | 320  | 265  |
|               | 10,000             | 61                     | 340                 | 285 | 230  | 175  |
|               | 12,000             | 60                     | 245                 | 190 | 135  | 85   |

Figure 5-6. Maximum Rate of Climb

## TIME, FUEL, AND DISTANCE TO CLIMB

### MAXIMUM RATE OF CLIMB

**CONDITIONS:**

Flaps Up  
Full Throttle  
Standard Temperature

**NOTES:**

1. Add 0.8 of a gallon of fuel for engine start, taxi and takeoff allowance.
2. Mixture leaned above 3000 feet for maximum RPM.
3. Increase time, fuel and distance by 10% for each 10°C above standard temperature.
4. Distances shown are based on zero wind.

| WEIGHT<br>LBS | PRESSURE<br>ALTITUDE<br>FT | TEMP<br>°C | CLIMB<br>SPEED<br>KIAS | RATE OF<br>CLIMB<br>FPM | FROM SEA LEVEL |                      |                |
|---------------|----------------------------|------------|------------------------|-------------------------|----------------|----------------------|----------------|
|               |                            |            |                        |                         | TIME<br>MIN    | FUEL USED<br>GALLONS | DISTANCE<br>NM |
| 1670          | S.L.                       | 15         | 67                     | 715                     | 0              | 0                    | 0              |
|               | 1000                       | 13         | 66                     | 675                     | 1              | 0.2                  | 2              |
|               | 2000                       | 11         | 66                     | 630                     | 3              | 0.4                  | 3              |
|               | 3000                       | 9          | 65                     | 590                     | 5              | 0.7                  | 5              |
|               | 4000                       | 7          | 65                     | 550                     | 6              | 0.9                  | 7              |
|               | 5000                       | 5          | 64                     | 505                     | 8              | 1.2                  | 9              |
|               | 6000                       | 3          | 63                     | 465                     | 10             | 1.4                  | 12             |
|               | 7000                       | 1          | 63                     | 425                     | 13             | 1.7                  | 14             |
|               | 8000                       | -1         | 62                     | 380                     | 15             | 2.0                  | 17             |
|               | 9000                       | -3         | 62                     | 340                     | 18             | 2.3                  | 21             |
|               | 10,000                     | -5         | 61                     | 300                     | 21             | 2.6                  | 25             |
|               | 11,000                     | -7         | 61                     | 255                     | 25             | 3.0                  | 29             |
| 12,000        | -9                         | 60         | 215                    | 29                      | 3.4            | 34                   |                |

Figure 5-7. Time, Fuel, and Distance to Climb



## CRUISE PERFORMANCE

**CONDITIONS:**

1670 Pounds

Recommended Lean Mixture (See Section 4, Cruise)

**NOTE:**

Cruise speeds are shown for an airplane equipped with speed fairings which increase the speeds by approximately two knots.

| PRESSURE ALTITUDE FT | RPM  | 20°C BELOW STANDARD TEMP |      |     | STANDARD TEMPERATURE |      |     | 20°C ABOVE STANDARD TEMP |      |     |
|----------------------|------|--------------------------|------|-----|----------------------|------|-----|--------------------------|------|-----|
|                      |      | % BHP                    | KTAS | GPH | % BHP                | KTAS | GPH | % BHP                    | KTAS | GPH |
| 2000                 | 2400 | ---                      | ---  | --- | 77                   | 102  | 6.3 | 73                       | 101  | 6.0 |
|                      | 2300 | 73                       | 97   | 6.0 | 69                   | 97   | 5.7 | 66                       | 96   | 5.4 |
|                      | 2200 | 65                       | 93   | 5.4 | 62                   | 92   | 5.1 | 58                       | 91   | 4.9 |
|                      | 2100 | 58                       | 88   | 4.9 | 55                   | 87   | 4.7 | 52                       | 85   | 4.5 |
|                      | 2000 | 51                       | 82   | 4.5 | 48                   | 81   | 4.3 | 45                       | 79   | 4.2 |
| 4000                 | 2450 | ---                      | ---  | --- | 78                   | 104  | 6.4 | 74                       | 103  | 6.0 |
|                      | 2400 | 78                       | 102  | 6.4 | 74                   | 101  | 6.0 | 70                       | 101  | 5.8 |
|                      | 2300 | 70                       | 97   | 5.8 | 66                   | 97   | 5.5 | 62                       | 96   | 5.2 |
|                      | 2200 | 62                       | 92   | 5.2 | 59                   | 91   | 4.9 | 55                       | 90   | 4.7 |
|                      | 2100 | 55                       | 87   | 4.7 | 52                   | 86   | 4.5 | 49                       | 84   | 4.4 |
| 6000                 | 2500 | ---                      | ---  | --- | 78                   | 106  | 6.4 | 74                       | 105  | 6.1 |
|                      | 2400 | 75                       | 101  | 6.1 | 70                   | 101  | 5.8 | 66                       | 100  | 5.5 |
|                      | 2300 | 67                       | 97   | 5.5 | 63                   | 96   | 5.2 | 59                       | 95   | 5.0 |
|                      | 2200 | 59                       | 91   | 5.0 | 56                   | 90   | 4.7 | 53                       | 89   | 4.6 |
|                      | 2100 | 53                       | 86   | 4.6 | 49                   | 84   | 4.4 | 47                       | 82   | 4.3 |
| 8000                 | 2550 | ---                      | ---  | --- | 78                   | 108  | 6.4 | 74                       | 107  | 6.1 |
|                      | 2500 | 79                       | 106  | 6.4 | 74                   | 105  | 6.1 | 70                       | 105  | 5.8 |
|                      | 2400 | 71                       | 101  | 5.8 | 67                   | 100  | 5.5 | 63                       | 99   | 5.2 |
|                      | 2300 | 64                       | 96   | 5.3 | 60                   | 95   | 5.0 | 56                       | 94   | 4.8 |
|                      | 2200 | 57                       | 91   | 4.8 | 53                   | 89   | 4.6 | 50                       | 87   | 4.4 |
| 10,000               | 2500 | 75                       | 105  | 6.2 | 71                   | 105  | 5.8 | 67                       | 104  | 5.5 |
|                      | 2400 | 68                       | 101  | 5.6 | 63                   | 99   | 5.3 | 60                       | 98   | 5.0 |
|                      | 2300 | 60                       | 95   | 5.1 | 57                   | 94   | 4.8 | 54                       | 92   | 4.6 |
|                      | 2200 | 54                       | 89   | 4.6 | 51                   | 87   | 4.5 | 48                       | 84   | 4.3 |
| 12,000               | 2450 | 68                       | 102  | 5.6 | 64                   | 101  | 5.3 | 60                       | 100  | 5.0 |
|                      | 2400 | 64                       | 100  | 5.3 | 60                   | 98   | 5.0 | 57                       | 97   | 4.8 |
|                      | 2300 | 57                       | 94   | 4.9 | 54                   | 92   | 4.6 | 51                       | 89   | 4.5 |
|                      | 2200 | 51                       | 88   | 4.5 | 48                   | 84   | 4.4 | 45                       | 79   | 4.2 |

Figure 5-8. Cruise Performance

## RANGE PROFILE 45 MINUTES RESERVE 24.5 GALLONS USABLE FUEL

**CONDITIONS:**

1670 Pounds  
Recommended Lean Mixture for Cruise  
Standard Temperature  
Zero Wind

**NOTES:**

1. This chart allows for the fuel used for engine start, taxi, takeoff and climb, and the distance during climb.
2. Performance is shown for an airplane equipped with speed fairings which increase the cruise speeds by approximately two knots.

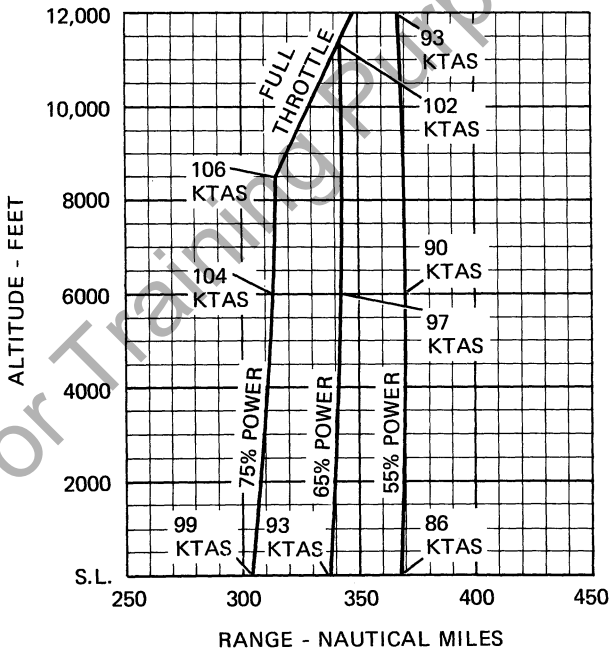


Figure 5-9. Range Profile (Sheet 1 of 2)

### RANGE PROFILE 45 MINUTES RESERVE 37.5 GALLONS USABLE FUEL

**CONDITIONS:**

1670 Pounds  
Recommended Lean Mixture for Cruise  
Standard Temperature  
Zero Wind

**NOTES:**

1. This chart allows for the fuel used for engine start, taxi, takeoff and climb, and the distance during climb.
2. Performance is shown for an airplane equipped with speed fairings which increase the cruise speeds by approximately two knots.

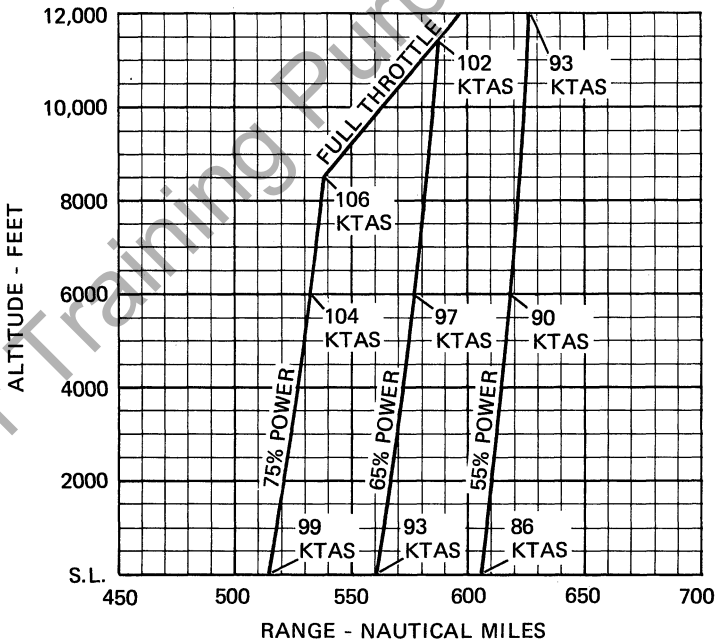


Figure 5-9. Range Profile (Sheet 2 of 2)

## ENDURANCE PROFILE 45 MINUTES RESERVE 24.5 GALLONS USABLE FUEL

**CONDITIONS:**

1670 Pounds  
Recommended Lean Mixture for Cruise  
Standard Temperature

**NOTE:**

This chart allows for the fuel used for engine start, taxi, takeoff and climb, and the time during climb.

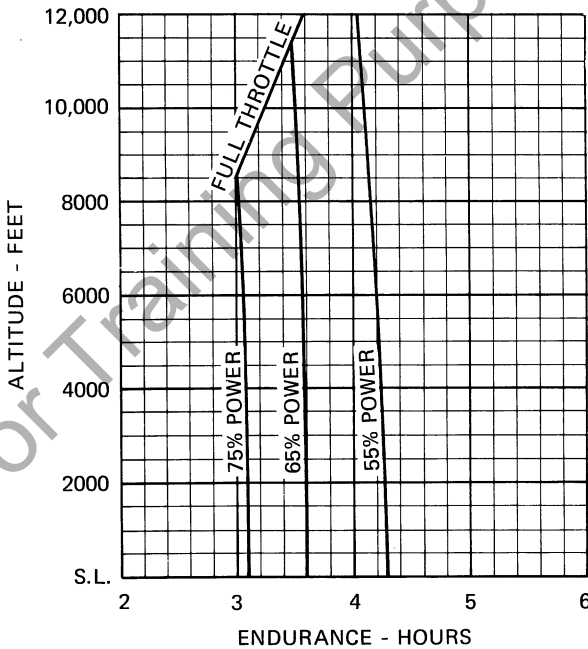


Figure 5-10. Endurance Profile (Sheet 1 of 2)

## ENDURANCE PROFILE 45 MINUTES RESERVE 37.5 GALLONS USABLE FUEL

**CONDITIONS:**

1670 Pounds  
Recommended Lean Mixture for Cruise  
Standard Temperature

**NOTE:**

This chart allows for the fuel used for engine start, taxi, takeoff and climb, and the time during climb.

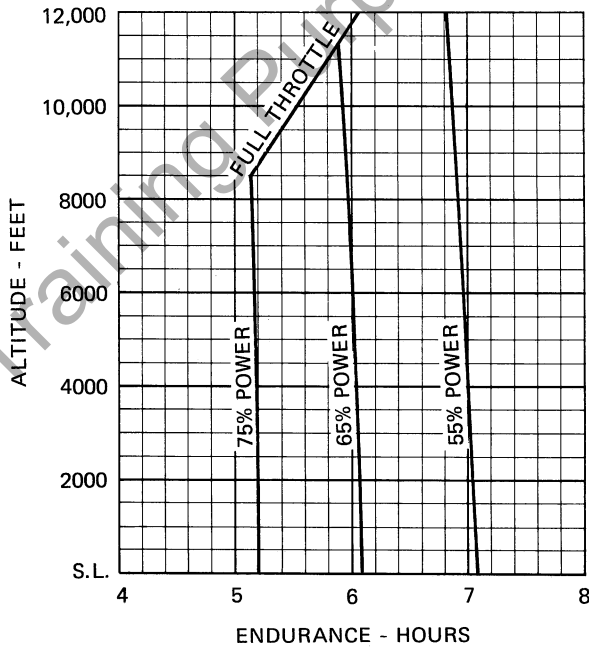


Figure 5-10. Endurance Profile (Sheet 2 of 2)

# LANDING DISTANCE

## SHORT FIELD

**CONDITIONS:**

- Flaps 30°
- Power Off
- Maximum Braking
- Paved, Level, Dry Runway
- Zero Wind

**NOTES:**

1. Short field technique as specified in Section 4.
2. Decrease distances 10% for each 9 knots headwind. For operation with tailwinds up to 10 knots, increase distances by 10% for each 2 knots.
3. For operation on a dry, grass runway, increase distances by 45% of the "ground roll" figure.
4. If a landing with flaps up is necessary, increase the approach speed by 7 KIAS and allow for 35% longer distances.

| WEIGHT<br>LBS | SPEED<br>AT<br>50 FT<br>KIAS | PRESS<br>ALT<br>FT | 0°C                |                                   | 10°C               |                                   | 20°C               |                                   | 30°C               |                                   | 40°C               |                                   |
|---------------|------------------------------|--------------------|--------------------|-----------------------------------|--------------------|-----------------------------------|--------------------|-----------------------------------|--------------------|-----------------------------------|--------------------|-----------------------------------|
|               |                              |                    | GRND<br>ROLL<br>FT | TOTAL FT<br>TO CLEAR<br>50 FT OBS | GRND<br>ROLL<br>FT | TOTAL FT<br>TO CLEAR<br>50 FT OBS | GRND<br>ROLL<br>FT | TOTAL FT<br>TO CLEAR<br>50 FT OBS | GRND<br>ROLL<br>FT | TOTAL FT<br>TO CLEAR<br>50 FT OBS | GRND<br>ROLL<br>FT | TOTAL FT<br>TO CLEAR<br>50 FT OBS |
| 1670          | 54                           | S.L.               | 450                | 1160                              | 465                | 1185                              | 485                | 1215                              | 500                | 1240                              | 515                | 1265                              |
|               |                              | 1000               | 465                | 1185                              | 485                | 1215                              | 500                | 1240                              | 520                | 1270                              | 535                | 1295                              |
|               |                              | 2000               | 485                | 1215                              | 500                | 1240                              | 520                | 1270                              | 535                | 1300                              | 555                | 1330                              |
|               |                              | 3000               | 500                | 1240                              | 520                | 1275                              | 540                | 1305                              | 560                | 1335                              | 575                | 1360                              |
|               |                              | 4000               | 520                | 1275                              | 540                | 1305                              | 560                | 1335                              | 580                | 1370                              | 600                | 1400                              |
|               |                              | 5000               | 540                | 1305                              | 560                | 1335                              | 580                | 1370                              | 600                | 1400                              | 620                | 1435                              |
|               |                              | 6000               | 560                | 1340                              | 580                | 1370                              | 605                | 1410                              | 625                | 1440                              | 645                | 1475                              |
|               |                              | 7000               | 585                | 1375                              | 605                | 1410                              | 625                | 1440                              | 650                | 1480                              | 670                | 1515                              |
| 8000          | 605                          | 1410               | 630                | 1450                              | 650                | 1480                              | 675                | 1520                              | 695                | 1555                              |                    |                                   |

Figure 5-11. Landing Distance

# SECTION 6 WEIGHT & BALANCE/ EQUIPMENT LIST

## TABLE OF CONTENTS

|  | Page |
|--|------|
| Introduction . . . . .                 | 6-3  |
| Airplane Weighing Procedures . . . . . | 6-3  |
| Weight And Balance . . . . .           | 6-6  |
| Equipment List . . . . .               | 6-15 |

For Training Purposes Only

For Training Purposes Only



## INTRODUCTION

This section describes the procedure for establishing the basic empty weight and moment of the airplane. Sample forms are provided for reference. Procedures for calculating the weight and moment for various operations are also provided. A comprehensive list of all Cessna equipment available for this airplane is included at the back of this section.

It should be noted that specific information regarding the weight, arm, moment and installed equipment for this airplane as delivered from the factory can only be found in the plastic envelope carried in the back of this handbook.

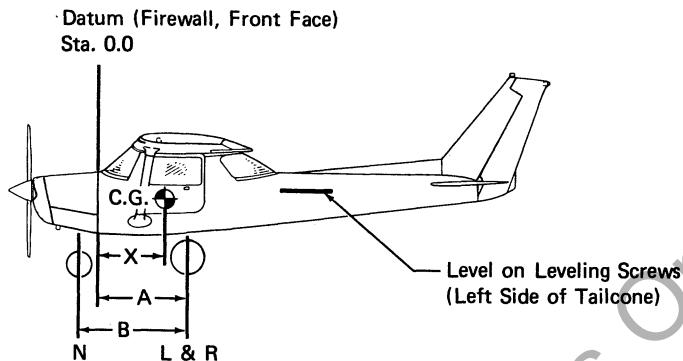
It is the responsibility of the pilot to ensure that the airplane is loaded properly.

## AIRPLANE WEIGHING PROCEDURES

1. Preparation:
  - a. Inflate tires to recommended operating pressures.
  - b. Remove fuel tank sump quick-drain fittings and use sampler cup at quick-drain valve in fuel line to drain all fuel.
  - c. Service engine oil as required to obtain a normal full indication (six quarts on dipstick).
  - d. Move sliding seats to the most forward position.
  - e. Raise flaps to the fully retracted position.
  - f. Place all control surfaces in neutral position.
2. Leveling:
  - a. Place scales under each wheel (500# minimum capacity for scales).
  - b. Deflate nose tire and/or lower or raise the nose strut to center bubble on level (see figure 6-1).
3. Weighing:
  - a. With the airplane level and brakes released, record the weight shown on each scale. Deduct the tare, if any, from each reading.
4. Measuring:
  - a. Obtain measurement A by measuring horizontally (along the airplane center line) from a line stretched between the main wheel centers to a plumb bob dropped from the firewall.
  - b. Obtain measurement B by measuring horizontally and parallel to the airplane center line, from center of nose wheel axle, left side, to a plumb bob dropped from the line between the main wheel centers. Repeat on right side and average the measurements.
5. Using weights from item 3 and measurements from item 4, the airplane weight and C.G. can be determined.
6. Basic Empty Weight may be determined by completing figure 6-1.

**SECTION 6  
WEIGHT & BALANCE/  
EQUIPMENT LIST**

**CESSNA  
MODEL 152**



| Scale Position                  | Scale Reading | Tare | Symbol | Net Weight |
|---------------------------------|---------------|------|--------|------------|
| Left Wheel                      |               |      | L      |            |
| Right Wheel                     |               |      | R      |            |
| Nose Wheel                      |               |      | N      |            |
| Sum of Net Weights (As Weighed) |               |      | W      |            |

$$X = \text{ARM} = \frac{(A) - (N) \times (B)}{W}; X = ( \quad ) - ( \quad ) \times ( \quad ) = ( \quad ) \text{ IN.}$$

| Item  | Weight (Lbs.) | X C.G. Arm (In.) | Moment/1000<br>(Lbs.-In.) |
|---|---------------|------------------|---------------------------|
| Airplane Weight (From Item 5, page 6-3)                         |               |                  |                           |
| Add Unusable Fuel: Std. or L.R. Tanks<br>(1.5 Gal at 6 Lbs/Gal) | 9.0           | 40.0             | 0.4                       |
| Equipment Changes   |               |                  |                           |
| Airplane Basic Empty Weight                                     |               |                  |                           |

**Figure 6-1. Sample Airplane Weighing**

**SAMPLE WEIGHT AND BALANCE RECORD**

(Continuous History of Changes in Structure or Equipment Affecting Weight and Balance)

| AIRPLANE MODEL                            |          | SERIAL NUMBER |               |              |                 | PAGE NUMBER  |                               |  |
|---|----------|---------------|---------------|--------------|-----------------|--------------|-------------------------------|--|
| DATE                                      | ITEM NO. |               | WEIGHT CHANGE |              |                 |              | RUNNING BASIC<br>EMPTY WEIGHT |  |
|   | In       | Out           | ADDED (+)     |              | REMOVED (-)     |              |                               |  |
| DESCRIPTION<br>OF ARTICLE OR MODIFICATION |          |               | Wt.<br>(lb.)  | Arm<br>(in.) | Moment<br>/1000 | Wt.<br>(lb.) | Moment<br>/1000               |  |
|   |          |               |               |              |                 |              |                               |  |
|   |          |               | As Delivered  |              |                 |              |                               |  |
|   |          |               |               |              |                 |              |                               |  |
|   |          |               |               |              |                 |              |                               |  |
|   |          |               |               |              |                 |              |                               |  |
|   |          |               |               |              |                 |              |                               |  |
|   |          |               |               |              |                 |              |                               |  |
|   |          |               |               |              |                 |              |                               |  |
|   |          |               |               |              |                 |              |                               |  |
|   |          |               |               |              |                 |              |                               |  |
|   |          |               |               |              |                 |              |                               |  |
|   |          |               |               |              |                 |              |                               |  |
|   |          |               |               |              |                 |              |                               |  |
|   |          |               |               |              |                 |              |                               |  |

Figure 6-2. Sample Weight and Balance Record

## WEIGHT AND BALANCE

The following information will enable you to operate your Cessna within the prescribed weight and center of gravity limitations. To figure weight and balance, use the Sample Problem, Loading Graph, and Center of Gravity Moment Envelope as follows:

Take the basic empty weight and moment from appropriate weight and balance records carried in your airplane, and enter them in the column titled YOUR AIRPLANE on the Sample Loading Problem.

### NOTE

In addition to the basic empty weight and moment noted on these records, the C.G. arm (fuselage station) is also shown, but need not be used on the Sample Loading Problem. The moment which is shown must be divided by 1000 and this value used as the moment/1000 on the loading problem.

Use the Loading Graph to determine the moment/1000 for each additional item to be carried; then list these on the loading problem.

### NOTE

Loading Graph information for the pilot, passengers and baggage is based on seats positioned for average occupants and baggage loaded in the center of the baggage areas as shown on the Loading Arrangements diagram. For loadings which may differ from these, the Sample Loading Problem lists fuselage stations for these items to indicate their forward and aft C.G. range limitation (seat travel and baggage area limitation). Additional moment calculations, based on the actual weight and C.G. arm (fuselage station) of the item being loaded, must be made if the position of the load is different from that shown on the Loading Graph.

Total the weights and moments/1000 and plot these values on the Center of Gravity Moment Envelope to determine whether the point falls within the envelope, and if the loading is acceptable.

### LOADING ARRANGEMENTS

\*Pilot or passenger center of gravity on adjustable seats positioned for average occupant. Numbers in parenthesis indicate forward and aft limits of occupant center of gravity range.

\*\*Arms measured to the center of the areas shown.

- NOTES:
1. The usable fuel C.G. arm for standard tanks is located at station 42.0; the C.G. arm for usable fuel in long range tanks is station 39.5.
  2. The aft baggage wall (approximate station 94) can be used as a convenient interior reference point for determining the location of baggage area fuselage stations.

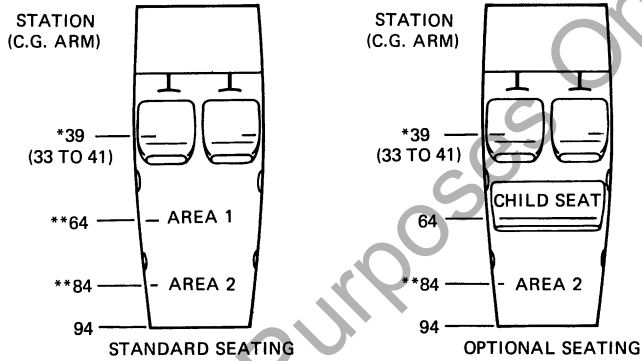


Figure 6-3. Loading Arrangements

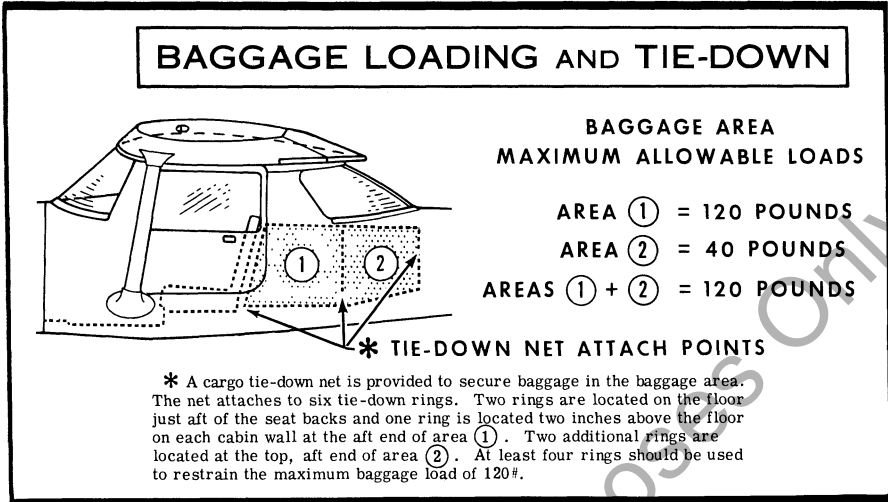
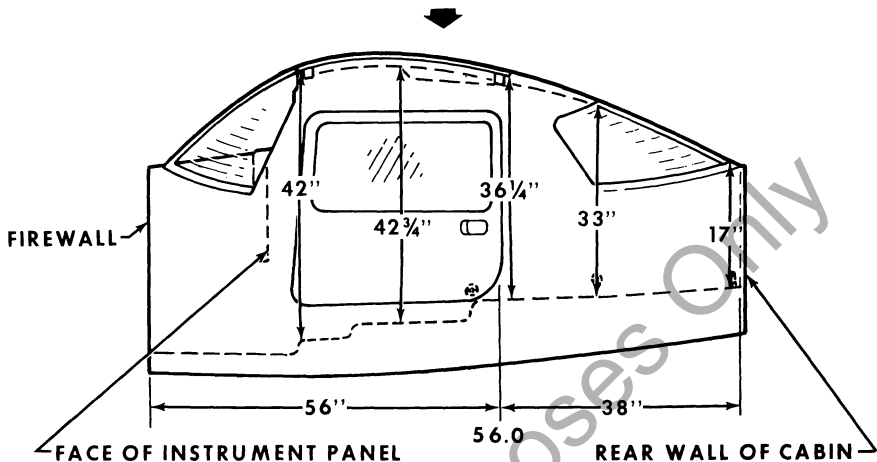


Figure 6-4. Baggage Loading and Tie-Down

### CABIN HEIGHT MEASUREMENTS



### DOOR OPENING DIMENSIONS

| WIDTH (TOP) | WIDTH (BOTTOM) | HEIGHT (FRONT) | HEIGHT (REAR) |
|-------------|----------------|----------------|---------------|
| 30"         | 33 1/4"        | 30 3/4"        | 30 1/4"       |

==== WIDTH ====  
● LWR WINDOW LINE  
\* CABIN FLOOR

### CABIN WIDTH MEASUREMENTS

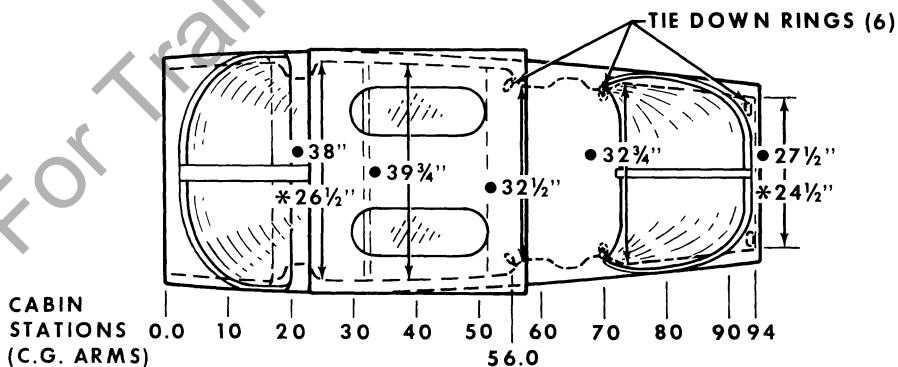


Figure 6-5. Internal Cabin Dimensions

SECTION 6  
WEIGHT & BALANCE/  
EQUIPMENT LIST

CESSNA  
MODEL 152

| SAMPLE<br>LOADING PROBLEM   | SAMPLE<br>AIRPLANE |                               | YOUR<br>AIRPLANE |                               |
|---|--------------------|-------------------------------|------------------|-------------------------------|
|   | Weight<br>(lbs.)   | Moment<br>(lb.-ins.<br>/1000) | Weight<br>(lbs.) | Moment<br>(lb.-ins.<br>/1000) |
| 1. Basic Empty Weight (Use the data pertaining to your airplane as it is presently equipped. Includes unusable fuel and full oil) . . . . .   | 1136               | 34.0                          |                  |                               |
| 2. Usable Fuel (At 6 Lbs./Gal.)<br>Standard Tanks (24.5 Gal. Maximum) . . . . .   | 147                | 6.2                           |                  |                               |
| Long Range Tanks (37.5 Gal. Maximum) . . . . .  |                    |                               |                  |                               |
| Reduced Fuel (As limited by max. weight) . . . . .  |                    |                               |                  |                               |
| 3. Pilot and Passenger (Station 33 to 41) . . . . .   | 340                | 13.3                          |                  |                               |
| 4.*Baggage - Area 1 (Or passenger on child's seat)<br>(Station 50 to 76, 120 Lbs. Max.) . . . . .   | 52                 | 3.3                           |                  |                               |
| 5.*Baggage - Area 2<br>(Station 76 to 94, 40 Lbs. Max.) . . . . .   |                    |                               |                  |                               |
| 6. RAMP WEIGHT AND MOMENT   | 1675               | 56.8                          |                  |                               |
| 7. Fuel allowance for engine start, taxi, and runup   | -5                 | -.2                           |                  |                               |
| 8. TAKEOFF WEIGHT AND MOMENT<br>(Subtract Step 7 from Step 6)   | 1670               | 56.6                          |                  |                               |
| <p>9. Locate this point (1670 at 56.6) on the Center of Gravity Moment Envelope, and since this point falls within the envelope, the loading is acceptable.</p> <p>*The maximum allowable combined weight capacity for baggage areas 1 and 2 is 120 pounds.</p> |                    |                               |                  |                               |

Figure 6-6. Sample Loading Problem (Sheet 1 of 2)



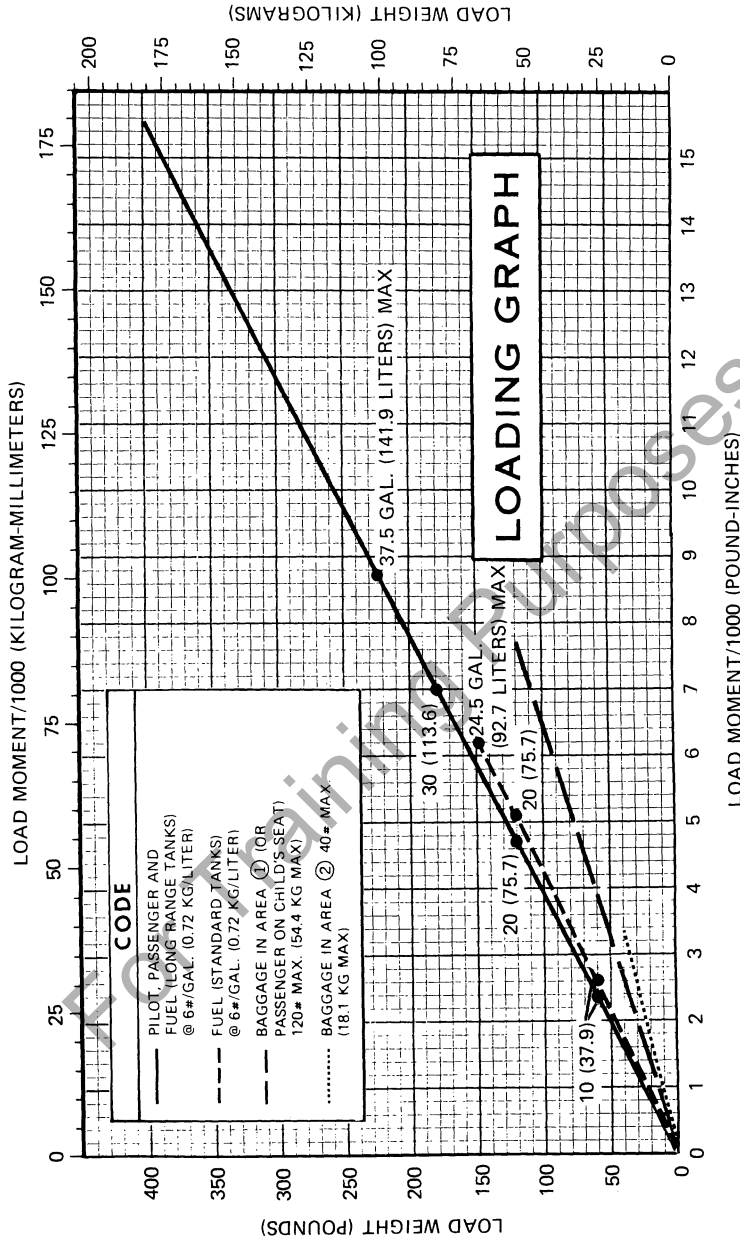
| YOUR AIRPLANE |                         | YOUR AIRPLANE |                         | YOUR AIRPLANE |                         | YOUR AIRPLANE |                         |
|---------------|-------------------------|---------------|-------------------------|---------------|-------------------------|---------------|-------------------------|
| Weight (lbs.) | Moment (lb.-ins. /1000) | Weight (lbs.) | Moment (lb.-ins. /1000) | Weight (lbs.) | Moment (lb.-ins. /1000) | Weight (lbs.) | Moment (lb.-ins. /1000) |
|               |                         |               |                         |               |                         |               |                         |
|               |                         |               |                         |               |                         |               |                         |
|               |                         |               |                         |               |                         |               |                         |
|               |                         |               |                         |               |                         |               |                         |
|               |                         |               |                         |               |                         |               |                         |
|               |                         |               |                         |               |                         |               |                         |
|               |                         |               |                         |               |                         |               |                         |
|               |                         |               |                         |               |                         |               |                         |
|               |                         |               |                         |               |                         |               |                         |
|               |                         |               |                         |               |                         |               |                         |
|               |                         |               |                         |               |                         |               |                         |
|               |                         |               |                         |               |                         |               |                         |
|               |                         |               |                         |               |                         |               |                         |
|               |                         |               |                         |               |                         |               |                         |
|               |                         |               |                         |               |                         |               |                         |
|               |                         |               |                         |               |                         |               |                         |
|               |                         |               |                         |               |                         |               |                         |
|               |                         |               |                         |               |                         |               |                         |
|               |                         |               |                         |               |                         |               |                         |
|               |                         |               |                         |               |                         |               |                         |

When several loading configurations are representative of your operations, it may be useful to fill out one or more of the above columns so that specific loadings are available at a glance.

Figure 6-6. Sample Loading Problem (Sheet 2 of 2)

SECTION 6  
WEIGHT & BALANCE/  
EQUIPMENT LIST

CESSNA  
MODEL 152



NOTES: Line representing adjustable seats shows the pilot or passenger center of gravity on adjustable seats positioned for an average occupant. Refer to the Loading Arrangements Diagram for forward and aft limits of occupant C.G. range.

Figure 6-7. Loading Graph

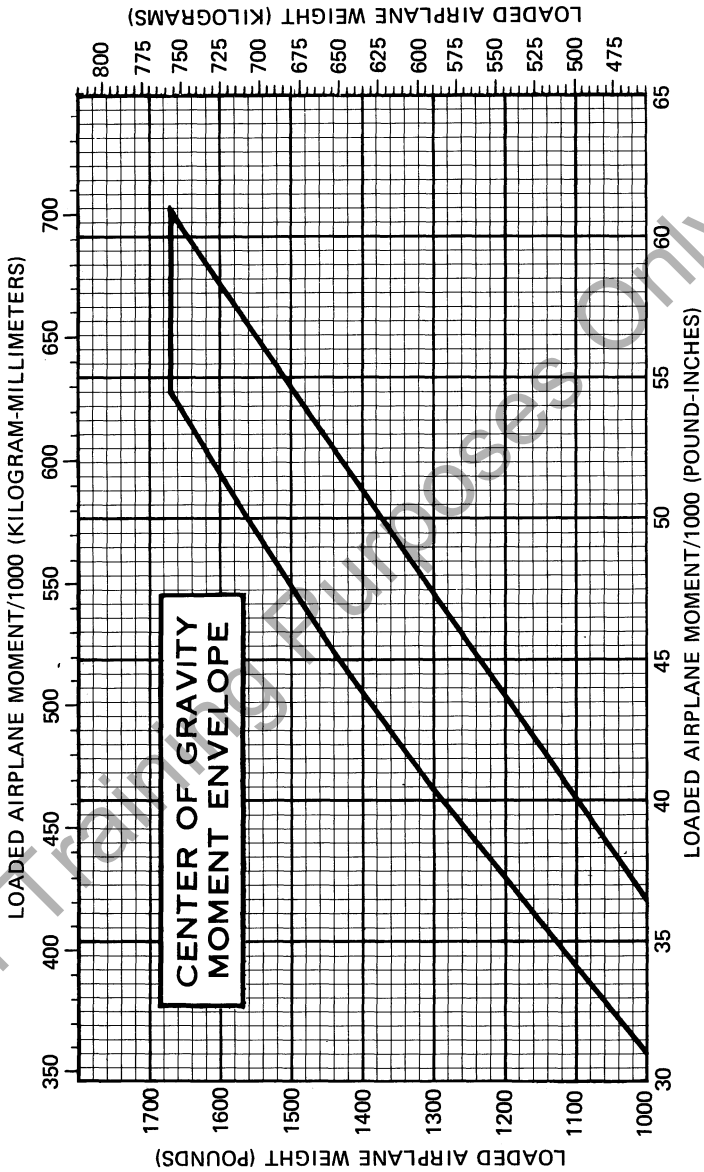


Figure 6-8. Center of Gravity Moment Envelope

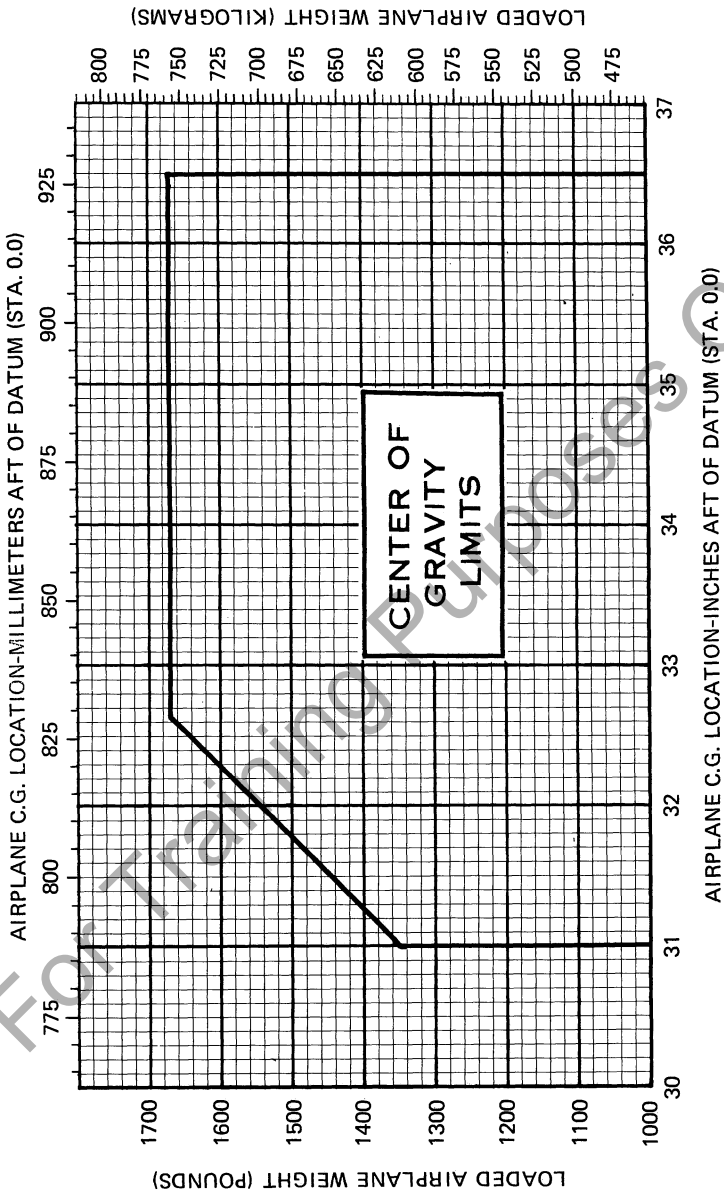


Figure 6-9. Center of Gravity Limits

## EQUIPMENT LIST

The following equipment list is a comprehensive list of all Cessna equipment available for this airplane. A separate equipment list of items installed in your specific airplane is provided in your aircraft file. The following list and the specific list for your airplane have a similar order of listing.

This equipment list provides the following information:

An **item number** gives the identification number for the item. Each number is prefixed with a letter which identifies the **descriptive** grouping (example: A. Powerplant & Accessories) under which it is listed. Suffix letters identify the equipment as a required item, a standard item or an optional item. Suffix letters are as follows:

- R = required items of equipment for FAA certification
- S = standard equipment items
- O = optional equipment items replacing required or standard items
- A = optional equipment items which are in addition to required or standard items

A **reference drawing** column provides the drawing number for the item.

### NOTE

If additional equipment is to be installed, it must be done in accordance with the reference drawing, accessory kit instructions, or a separate FAA approval.

Columns showing **weight (in pounds)** and **arm (in inches)** provide the weight and center of gravity location for the equipment.

### NOTE

Unless otherwise indicated, true values (not net change values) for the weight and arm are shown. Positive arms are distances aft of the airplane datum; negative arms are distances forward of the datum.

### NOTE

Asterisks (\*) after the item weight and arm indicate complete assembly installations. Some major components of the assembly are listed on the lines immediately following. The summation of these major components does not necessarily equal the complete assembly installation.

SECTION 6  
WEIGHT & BALANCE/  
EQUIPMENT LIST

CESSNA  
MODEL 152

| ITEM NO                                  | EQUIPMENT LIST DESCRIPTION  | REF DRAWING  | WT LBS                                   | ARM INS                                       |
|--|---|--|--|---|
| <b>A. POWERPLANT &amp; ACCESSORIES</b>   |   |  |  |   |
| A01-R                                    | ENGINE, LYCOMING O-235-N2C (INCLUDES ALTERNATOR BRACKETS, STARTER, CARBURETOR, SPARK PLUGS AND OIL FILTER INSTALLATION)   | 0450071  | 246.0                                    | -19.1   |
| A05-R                                    | FILTER, CARBURETOR AIR  | C294510-0201   | 0.5                                      | -16.0   |
| A09-R                                    | ALTERNATOR, 60 AMP, 28 VOLT (BELT DRIVE)  | C611503-0102   | 10.7                                     | -27.5   |
| A17-R                                    | OIL COOLER INSTALLATION<br>-OIL COOLER (HARRISON) OR<br>-OIL COOLER (STEWART WARNER)  | 0450071<br>8547332   | 3.6*<br>2.3<br>2.3                       | -24.0*<br>-27.4<br>-27.4                      |
| A33-R                                    | PROPELLER INSTALLATION<br>-PROPELLER, MCCAULEY FIXED PITCH<br>1A10371CM6958   | 0450077<br>C161001-0501  | 28.2*<br>26.6                            | -36.5*<br>-36.5                               |
| A41-R                                    | SPINNER INSTALLATION, PROPELLER<br>-SPINNER DOME<br>-AFT BULKHEAD (BACK SIDE OF PROP)<br>-FWD BULKHEAD (FWD SIDE OF PROP)<br>-MISC. ITEMS   | 0450077<br>0450073-1<br>0450072-1<br>0450076-1   | 2.5*<br>1.0<br>1.1<br>0.3<br>0.1         | -36.2*<br>-38.2<br>-34.8<br>-37.4<br>-34.0    |
| A70-S                                    | ENGINE PRIMING SYSTEM   | 0400152  | 0.5                                      | 3.1   |
| A73-A                                    | VALVE, ENGINE OIL QUICK DRAIN (NET CHANGE)  | 1701015  | NEGL                                     | --  |
| <b>B. LANDING GEAR &amp; ACCESSORIES</b> |   |  |  |   |
| B01-R-1                                  | WHEEL, BRAKE & TIRE ASSY 15X6, 00X6 MAIN 2<br>-WHEEL ASSEMBLY, MCCAULEY (EACH)<br>-BRAKE ASSEMBLY, MCCAULEY (LEFT)<br>-BRAKE ASSEMBLY, MCCAULEY (RIGHT)<br>-TIRE, 4-PLY BLACKWALL (EACH)<br>-TUBE, (EACH) | C163019-0211<br>C163006-0101<br>C163033-0102<br>C163033-0102<br>C262006-0102<br>C262026-0101 | 35.8*<br>7.6<br>1.9<br>1.9<br>7.1<br>1.3 | 46.7*<br>47.1<br>43.7<br>43.7<br>47.1<br>47.1 |

| ITEM NO | EQUIPMENT LIST DESCRIPTION  | REF DRAWING  | WT LBS                                    | ARM INS                                       |
|---------|---|--|---|---|
| B01-R-2 | WHEEL, BRAKE & TIRE ASSY, 15X6.00X6 MAIN 2<br>-HEEL ASSY, CLEVELAND 40-113 (EACH)<br>-BRAKE ASSY, CLEVELAND 30-75A (LEFT)<br>-BRAKE ASSY, CLEVELAND 30-75A (RIGHT)<br>-TIRE, 4-PLY BLACKWALL (EACH)<br>-TUBE (EACH) | 1241156-41<br>C163001-0104<br>C163030-0113<br>C163030-0114<br>C262006-0102<br>C262026-0101   | 35.4*<br>37.4<br>1.9<br>1.9<br>7.1<br>1.3 | 46.7*<br>47.1<br>43.7<br>43.7<br>47.1<br>47.1 |
| B01-O-1 | WHEEL, BRAKE & TIRE ASSY, 6.00X6 MAIN (2)<br>-HEEL ASSY, MCCAULEY (EACH)<br>-BRAKE ASSY, MCCAULEY (LEFT)<br>-BRAKE ASSY, MCCAULEY (RIGHT)<br>-TIRE, 4-PLY BLACKWALL (EACH)<br>-TUBE (EACH)                          | C163019-0201<br>C163006-0101<br>C163033-0101<br>C163033-0101<br>C262003-0101<br>C262023-0102 | 37.6*<br>7.6<br>1.9<br>1.9<br>18.0<br>1.3 | 46.8*<br>47.1<br>43.7<br>43.7<br>47.1<br>47.1 |
| B01-O-2 | WHEEL, BRAKE & TIRE ASSY, 6.00X6 MAIN (2)<br>-HEEL ASSY, CLEVELAND 40-113 (EACH)<br>-BRAKE ASSY, CLEVELAND 30-75A (LEFT)<br>-BRAKE ASSY, CLEVELAND 30-75A (RIGHT)<br>-TIRE, 4-PLY BLACKWALL (EACH)<br>-TUBE (EACH)  | 1241156-40<br>C163001-0104<br>C163030-0111<br>C163030-0112<br>C262003-0101<br>C262023-0102   | 37.2*<br>7.4<br>1.9<br>1.9<br>8.0<br>1.3  | 46.8*<br>47.1<br>43.7<br>43.7<br>47.1<br>47.1 |
| B04-R-1 | WHEEL & TIRE ASSY, 5.00X5 NOSE<br>-WHEEL ASSY, MCCAULEY<br>-TIRE, 4-PLY BLACKWALL<br>-TUBE  | C163018-0101<br>C163005-0201<br>C262003-0102<br>C262023-0101                                 | 10.3*<br>3.8<br>5.1<br>1.4                | -10.8*<br>-10.8<br>-10.8<br>-10.8             |
| B04-R-2 | WHEEL & TIRE ASSY, 5.00X5 NOSE<br>-WHEEL ASSY, CLEVELAND 40-77<br>-TIRE, 4-PLY BLACKWALL<br>-TUBE   | 1241156-2<br>1241156-12<br>C262003-0102<br>C262023-0101                                      | 9.3*<br>2.8<br>5.1<br>1.4                 | -10.8*<br>-10.8<br>-10.8<br>-10.8             |
| B10-A   | WHEEL FAIRING INSTALLATION<br>-NOSE WHEEL FAIRING<br>-MAIN WHEEL FAIRING (EACH)<br>-BRAKE FAIRINGS (EACH)   | 0541225-4<br>0543088-1<br>0541229<br>0441227   | 16.7*<br>3.5<br>5.4<br>0.6                | 36.7*<br>-9.5<br>49.5<br>50.5                 |
| C01-R   | C. ELECTRICAL SYSTEMS<br><br>BATTERY, 24 VOLT STANDARD DUTY   | C614002-0101   | 23.2                                      | -5.5  |

SECTION 6  
WEIGHT & BALANCE/  
EQUIPMENT LIST

CESSNA  
MODEL 152

| ITEM NO | EQUIPMENT LIST DESCRIPTION  | REF DRAWING   | WT LBS                           | ARM INS                                    |
|---------|---|---|----------------------------------|--|
| C01-D   | BATTERY, 24 VOLT HEAVY DUTY   | C614002-0102  | 25.2                             | -5.5                                       |
| C04-R   | ALTERNATOR CONTROL UNIT WITH HIGH VOLTAGE PROTECTION AND LOW VOLTAGE SENSING  | C611005-0101  | 0.4                              | 0.5  |
| C07-A   | GROUND SERVICE RECEPTACLE   | 0401026-1   | 2.2                              | -2.1                                       |
| C16-A   | PITOT HEATER  | 0422355-1   | 0.6                              | 21.5                                       |
| C22-A   | POST LIGHTS (INSTRUMENT PANEL LIGHTING)   | 0413612   | 0.5                              | 18.0                                       |
| C25-A   | MIC SWITCH & MAP LIGHT CONTROL WHEEL MTD (REQUIRED WITH E89-0)  | 0470433-1   | 0.2                              | 22.5                                       |
| C28-A   | MAP LIGHT, DOOR POST MOUNTED  | 0470425-1   | 0.3                              | 21.6                                       |
| C43-A   | LIGHT INSTALLATION, OMNIFLASH BEACON<br>-BEACON LIGHT IN FIN TIP<br>-FLASHER POWER SUPPLY IN AFT TAILCONE<br>-RESISTOR (MEMCOR)<br>-MISC. ITEMS | 0406003-1<br>C621001-0102<br>C594502-0102<br>OR95-6 | 1.3*<br>0.4<br>0.5<br>0.2<br>0.2 | 193.7*<br>217.2<br>173.9<br>183.4<br>206.5 |
| C46-A   | LIGHT INSTALLATION WING TIP STROBE<br>-STROBE LIGHTS IN WING TIP (SET OF 2)<br>-FLASHER POWER SUPPLIES IN TIPS (SET OF 2)                       | 0401009-1<br>C622006-0107<br>C622008-0102           | 3.4*<br>0.3<br>2.5               | 37.0*<br>35.5<br>39.5                      |
| C49-S   | LANDING & TAXI LIGHT INSTALLATION (DUAL LAMP LOCATED IN LEADING EDGE OF WING)   | 0401040   | 2.5                              | 24.5                                       |
|         | D. INSTRUMENTS  |   |                                  |  |
| D01-R   | INDICATOR, AIRSPEED   | C661064-0107  | 0.6                              | 17.2                                       |
| D01-D   | INDICATOR, TRUE AIRSPEED (0513279)  | C661065-0105  | 0.7                              | 17.3                                       |
| D07-R   | ALTIMETER, SENSITIVE  | C661071-0101  | 0.9                              | 17.6                                       |



| ITEM NO | EQUIPMENT LIST DESCRIPTION   | REF DRAWING  | WT LBS                           | ARM INS                                 |
|---------|--|--|----------------------------------|---|
| D07-0-1 | ALTIMETER, SENSITIVE (20 FT MARKINGS)<br>(FEET AND MILLIBARS)                          | C661025-0102   | 0.7                              | 17.6                                    |
| D07-0-2 | ALTIMETER, SENSITIVE (50 FT. MARKINGS)<br>(FEET AND MILLIBARS)                         | C661071-0102   | 0.8                              | 17.6                                    |
| D16-A-1 | ENCODING ALTIMETER (INCLUDES RELOCATION<br>OF CONVENTIONAL ALTIMETER)                  | 0401013  | 2.9                              | 17.0                                    |
| D16-A-2 | ENCODING ALTIMETER, FEET & MILLIBARS<br>(INCLUDES RELOCATION OF CONVENTIONAL ALT.)     | 0401013  | 2.9                              | 17.0                                    |
| D16-A-3 | ALTITUDE ENCODER (BLIND, DOES NOT REQUIRE<br>PANEL MOUNTING)                           | 0401019-1  | 1.5                              | 2.0                                     |
| D19-R   | AMMETER INSTALLATION   | S-1320-5   | 0.1                              | 18.0                                    |
| D25-A-1 | CLOCK INSTALLATION<br>-CLOCK, ELECTRIC   | 0400341<br>C664508-0102  | 0.4*<br>0.3                      | 14.4*<br>18.1                           |
| D25-A-2 | CLOCK INSTALLATION, DIGITAL READOUT<br>-CHRONOMETER, DIGITAL                           | 0470426-1<br>C664511-0102                                      | 0.6*<br>0.6                      | 18.2*<br>18.2                           |
| D28-R   | COMPASS  | C660501-0102   | 0.5                              | 20.0                                    |
| D37-R   | INSTRUMENT CLUSTER (LH & RH FUEL)  | C669537-0104   | 0.4                              | 18.0                                    |
| D37-0   | INSTRUMENT CLUSTER (LH & RH FUEL) (USED<br>WITH G92-0, LONG RANGE WING ONLY)           | C669537-0105   | 0.4                              | 18.0                                    |
| D40-R   | INSTRUMENT CLUSTER (OIL PRES. & OIL TEMP.)<br>OR AS A REPLACEMENT ALTERNATE            | C669535-0101<br>C669564-0101                                   | 0.4                              | 18.0                                    |
| D49-A   | ECONOMY MIXTURE INDICATOR (EGT) INSTL.<br>-PROBE<br>-LEAD<br>-EGT GAGE<br>-MISC. ITEMS | 0401028-1-0204<br>C668501-0204<br>C668501-0206<br>C668501-0213 | 0.7*<br>0.1<br>0.1<br>0.4<br>0.1 | 11.3*<br>-17.0<br>-11.9<br>17.8<br>13.0 |
| D59-A   | INDICATOR, 'G' METER   | 0400335  | 0.7                              | 17.4                                    |
| D64-A   | GYRO & VACUUM SYSTEM INSTALLATION  | 0413596  | 9.2*                             | 8.2*                                    |

SECTION 6  
WEIGHT & BALANCE/  
EQUIPMENT LIST

CESSNA  
MODEL 152

| ITEM NO | EQUIPMENT LIST DESCRIPTION  | REF DRAWING   | WT LBS  | ARM INS   |
|---------|---|---|---|---|
|         | -DIRECTIONAL INDICATOR<br>-ATTITUDE INDICATOR<br>-SUCTION GAGE<br>-GYRO FILTER ASSEMBLY<br>-VACUUM PUMP (C431001-0101 OR C431001-0302 MAY BE USED)<br>-VACUUM RELIEF VALVE<br>-MISC ITEMS | C661075-0101<br>C661075-0102<br>C668509-0101<br>C201075-2<br>C431003-0104<br>C482001-0401 | 2.4<br>2.4<br>0.1<br>0.3<br>1.9<br>0.3<br>2.0 | 15.4<br>15.9<br>17.1<br>2.0<br>-4.0<br>1.5<br>4.2 |
| D67-A   | RECORDER, ENGINE HOUR METER   | 0401017   | 0.6   | 5.2   |
| D82-A   | OUTSIDE AIR TEMPERATURE INDICATOR   | C668507-0101  | 0.1   | 22.0  |
| D85-R   | TACHOMETER INSTALLATION, ENGINE<br>-RECORDING TACH INDICATOR  | 0400152<br>C668020-0120   | 1.0*<br>0.6                                   | 12.5*<br>17.0                                     |
| D88-A-1 | INDICATOR, TURN COORDINATOR (24 VOLT ONLY)  | C661003-0507  | 1.8   | 17.2  |
| D88-A-2 | INDICATOR, TURN COORDINATOR (10-30 VOLT)  | C661003-0506  | 1.0   | 17.2  |
| D91-A   | INDICATOR, VERTICAL SPEED   | C661080-0101  | 1.0   | 18.0  |
|         | E. CABIN ACCOMMODATIONS   |   |   |   |
| E05-R   | SEAT, PILOT INDIVIDUAL SLIDING  | 0414090-1   | 11.1  | 45.2  |
| E05-0   | SEAT, VERTICALLY ADJUSTABLE, PILOT  | 0414089-1   | 17.0  | 45.2  |
| E07-S   | SEAT, CO-PILOT INDIVIDUAL SLIDING   | 0414090-2   | 11.1  | 45.2  |
| E07-0   | SEAT, VERTICALLY ADJUSTABLE, CO-PILOT   | 0414089-2   | 17.0  | 45.2  |
| E09-A   | CHILD SEAT INSTALLATION, AUXILIARY<br>-UPPER BACK REST CUSHION<br>-LOWER SEAT CUSHION ASSEMBLY<br>-LAP BELT ASSEMBLY<br>-MISC. ITEMS  | 0400134-1<br>0711080-1<br>0400136-9<br>S-1746-2   | 10.5*<br>1.3<br>6.4<br>1.0<br>1.8             | 66.5*<br>72.9<br>64.5<br>66.0<br>69.3             |

| ITEM NO | EQUIPMENT LIST DESCRIPTION  | REF DRAWING | WT LBS | ARM INS |
|---------|---|-------------|--------|---------|
| E15-R   | RESTRAINING BELT, LAP PILOT   | S-2275-101  | 1.0    | 39.0    |
| E15-S   | SHOULDER HARNESS - PILOT  | S-2275-202  | 0.6    | 39.0    |
| E19-0   | INERTIA REEL INSTALLATION, NET CHANGE FOR PILOT & CO-PILOT BELT & HARNESS | 0401012-1   | 1.3    | 71.1    |
| E23-S   | BELT & HARNESS ASSY - CO-PILOT  | S-2275-4    | 1.6    | 39.0    |
| E34-0-1 | INTERIOR, DELUXE (NET CHANGE)   | 0415020     | 1.5    | 40.0    |
| E34-0-2 | INTERIOR (SIDEWALL) LEATHER, NET CHANGE                                   | CES-1157    | 1.5    | 40.0    |
| E35-0-1 | SEAT COVERING, FULL COVER, LEATHER PILOT & CO-PILOT (NET CHANGE)          | CES-1157    | 1.0    | 39.0    |
| E35-0-2 | SEAT COVERING, PART COVER, LEATHER PILOT & CO-PILOT (NET CHANGE)          | CES-1157    | 0.5    | 39.0    |
| E39-A   | WINDOWS, OVERHEAD CABIN TOP (NET INCREASE)                                | 0401034-1   | 0.5    | 49.0    |
| E55-A   | SUN VISORS (SET OF 2)   | 0514166-1   | 1.0    | 27.0    |
| E57-0   | WINDOWS, TINTED, CABIN (NET CHANGE)                                       | 0400324-1   | NEGL   | --      |
| E59-A   | APPROACH PLATE HOLDER   | 0415044-2   | 0.1    | 20.5    |
| E65-S   | BAGGAGE NET   | 2015009-2   | 0.5    | 84.0    |
| E85-A   | CONTROLS, RH SIDE (WHEEL, PEDALS & BRAKES)                                | 0460118-2   | 4.5    | 11.5    |
| E89-0   | ALL PURPOSE CONTROL WHEEL (RQD WITH C25-A) (WT. NET CHANGE)               | 0470117     | NEGL   | --      |
| E93-R   | HEATING SYSTEM, CABIN (INCLUDED ENGINE EXHAUST SYSTEM)                    | 0450071     | 14.0   | -22.0   |
|         | F. PLACARDS, WARNINGS & MANUALS   |             |        |         |

SECTION 6  
WEIGHT & BALANCE/  
EQUIPMENT LIST

CESSNA  
MODEL 152

| ITEM NO                | EQUIPMENT LIST DESCRIPTION   | REF DRAWING | WT LBS | ARM INS |
|------------------------|--|-------------|--------|---------|
| F01-R                  | OPERATIONAL LIMITATIONS PLACARD VFR-DAY  | 0405068-1   | NEGL   | 23.0    |
| F01-O-1                | OPERATIONAL LIMITATIONS PLACARD VFR-DAY NIGHT  | 0405068-2   | NEGL   | 23.0    |
| F01-O-2                | OPERATIONAL LIMITATIONS PLACARD VFR-IFR DAY & NIGHT  | 0405068-3   | NEGL   | 23.0    |
| F04-R                  | STALL WARNING HORN, PNEUMATIC, AUDIBLE   | 0413029     | 0.5    | 21.5    |
| F10-S                  | PILOT'S CHECKLIST (STOWED)<br>(LOCATED AT GLOVE BOX)   | D6123       | 0.3    | 14.5    |
| F16-R                  | PILOT'S OPERATING HANDBOOK AND FAA APPROVED AIRPLANE FLIGHT MANUAL (AT SEAT BACK POCKET OF PILOT SEAT) | D1249-13PH  | 1.0    | 50.7    |
| G. AUXILIARY EQUIPMENT |  |             |        |         |
| G04-A                  | TOW HOOK (NOT FACTORY INSTALLED)<br>(INSTALLED ARM SHOWN) (NORMALLY STOWED)                            | 0500228-6   | 0.5    | 200.0   |
| G07-A                  | HOISTING RINGS, AIRCRAFT CABIN TOP<br>(NOT FACTORY INSTALLED)  | 0541115-0   | 2.0    | 42.0    |
| G13-A                  | CORROSION PROOFING, INTERNAL   | 0400027-2   | 8.5    | 79.0    |
| G16-A                  | STATIC DISCHARGERS (SET OF 10)   | 0401015-1   | 0.3    | 116.2   |
| G19-A                  | STABILIZER ABRASION BOOTS  | 0500041-3   | 2.5    | 179.4   |
| G22-A                  | TOW BAR, AIRCRAFT NOSE WHEEL (STOWED)  | 0401039     | 1.6    | 84.0    |
| G25-S                  | PAINT, OVERALL EXTERIOR<br>-OVERALL BASE WHITE<br>-COLOR STRIPE  | 0404041     | 9.4*   | 80.8*   |
|                        |  |             | 9.0    | 79.0    |
|                        |  |             | 0.4    | 122.1   |
| G31-A                  | CABLES, CORROSION RESISTANT CONTROL (NET   | 0400027-2   | NEGL   | --      |

| ITEM NO                  | EQUIPMENT LIST DESCRIPTION  | REF DRAWING   | WT LBS   | ARM INS   |
|--------------------------|---|---|--|---|
| G49-0                    | CHANGE)<br>WING TIPS, MODIFIED CONICAL (NET CHANGE)   | 0401033-1   | 2.5  | 41.0  |
| G55-A                    | FIRE EXTINGUISHER, HAND TYPE  | 0401038   | 3.0  | 10.9  |
| G58-A                    | STEPS & HANDLES, REFUELING ASSIST   | 0413456-2   | 2.1  | 9.9   |
| G67-A                    | PEDAL EXTENSIONS, RUDDER, REMOVABLE - SET OF 2 (STOWABLE - INSTALLED ARM SHOWN) AVAILABLE FROM DEALERS ONLY   | 0501082-1   | 2.8  | 8.0   |
| G88-A                    | WINTERIZATION KIT INSTALLATION, ENGINE<br>-COVER PLATES, FORWARD COWL AND OIL COOLER COVER (SET OF 3)<br>-COVER PLATES (STOWED ARM ESTIMATED)<br>-CRANKCASE BREATHER TUBE INSULATION  | 0401024-14<br>0450080   | 0.5*<br>0.1                                    | -20.9*<br>-33.0   |
| G92-A                    | WINGS WITH 39 GALLON CAPACITY, EXTENDED RANGE FUEL TANKS, (NET CHANGE)  | - - -<br>0401018-3  | 0.1<br>0.2<br>5.9                              | -33.0<br>-12.0<br>37.3  |
| H. AVIONICS & AUTOPILOTS |   |   |  |   |
| H01-A                    | CESSNA 300 ADF INSTALLATION<br>-RECEIVER W/BFO, R-546E<br>-INDICATOR, IN-346A<br>-ANTENNA INSTALLATION (SENSE)<br>-LOOP ANTENNA INSTALLATION<br>-CABLE INSTALLATION<br>-ADF SWITCH INSTALLATION<br>-MISC. INSTALLATION COMPONENTS | 3910159-11<br>41240-0001<br>40980-1001<br>0670400-021<br>3960104-1<br>3950104-14<br>3970146-4 | 7.9*<br>3.3<br>0.9<br>0.2<br>1.4<br>1.1<br>0.9 | 18.7*<br>14.5<br>15.5<br>92.7<br>24.2<br>12.2<br>16.0<br>20.5 |
| H07-A                    | CESSNA 400 GLIDESLOPE WITH ILS INDICATOR EXCHANGED FOR LOC INDICATOR<br>-RECEIVER, R-443B<br>-MOUNTING<br>-ANTENNA COUPLER, DUAL<br>-VOR/ILS IND., IN-381A ADDED<br>-VOR/LOC IND., IN-380A DELETED                                | 3910157-10<br>42100-0000<br>36450-0000<br>32473-1<br>50570-2000<br>50570-1000                 | 5.3*<br>2.1<br>0.3<br>0.2<br>+1.5<br>-1.4      | 79.0*<br>100.7<br>100.7<br>5.0<br>15.5<br>15.5                |

SECTION 6  
WEIGHT & BALANCE/  
EQUIPMENT LIST

CESSNA  
MODEL 152

| ITEM NO | EQUIPMENT LIST DESCRIPTION  | REF DRAWING                            | WT LBS                    | ARM INS                       |
|---------|---|--|---------------------------|-------------------------------|
|         | -VOR/ILS IN-386A ADDED, (ALTERNATE)<br>-VOR/LOC IN-385A DELETED (ALTERNATE)<br>-MISC. ITEMS   | 46860-2000<br>46860-1000               | +1.8<br>-1.5<br>-2.6      | 15.5<br>15.5<br>67.1          |
| H08-A-1 | AUTO RADIAL CENTERING INDICATOR ARC/LOC<br>EXCHANGE FOR VOR/LOC IN ITEM H22-A<br>-ARC/LOC IND.; IN-380AC ADDED<br>-VOR/LOC IND.; IN-380A DELETED                    | 3910196-1                              | 0.1*                      | 15.5*                         |
| H08-A-2 | AUTO RADIAL CENTERING INDICATOR, ARC/ILS<br>EXCHANGE FOR VOR/ILS INDICATOR IN ITEM<br>H07-A ONLY<br>-VOR/ILS IND.; IN-381AC ADDED<br>-VOR/ILS IND.; IN-381A DELETED | 50570-2200<br>50570-2000               | 1.6<br>-1.5               | 15.5<br>15.5                  |
| H08-A-3 | AUTORADIAL CENTERING INDICATOR ARC/LOC<br>EXCHANGE FOR VOR/LOC (ALTERNATE INDICATOR)<br>-ARC/LOC INDICATOR; IN-385AC ADDED<br>-VOR/LOC INDICATOR; IN-385A DELETED   | 3910196-1                              | 0.2*                      | 15.5*                         |
| H08-A-4 | AUTORADIAL CENTERING INDICATOR, ARC/ILS<br>EXCHANGE FOR VOR/ILS (ALTERNATE INDICATOR)<br>-ARC/ILS INDICATOR; IN-386AC ADDED<br>-VOR/ILS INDICATOR; IN-386A DELETED  | 46860-1200<br>46860-1000               | 1.8<br>-1.6               | 15.5<br>15.5                  |
|         | AUTORADIAL CENTERING INDICATOR, ARC/ILS<br>EXCHANGE FOR VOR/ILS (ALTERNATE INDICATOR)<br>-ARC/ILS INDICATOR; IN-386AC ADDED<br>-VOR/ILS INDICATOR; IN-386A DELETED  | 3910196-2                              | 0.2*                      | 15.5*                         |
| H13-A   | CESSNA 400 MARKER BEACON INSTALLATION<br>-RECEIVER, R-402B<br>-ANTENNA, L SHAPED ROD<br>-MKR BCN KIT & MISC. ITEMS  | 3910164-14<br>51170-0000<br>0770681-1  | 2.8*<br>0.7<br>0.7<br>1.4 | 32.7*<br>10.0<br>94.6<br>13.1 |
| H16-A-1 | CESSNA 300 TRANSPONDER INSTALLATION<br>-TRANSCIEVER, RT-359A<br>-ANTENNA<br>-RADIO COOLING & MISC. ITEMS  | 3910127-1<br>41420-0028<br>42940-0000  | 3.9*<br>2.7<br>0.2<br>0.8 | 16.8*<br>13.0<br>67.0<br>17.0 |
| H16-A-2 | CESSNA 400 TRANSPONDER (FOR EXPORT USE)<br>-TRANSCIEVER, RT-459A<br>-ANTENNA<br>-RADIO COOLING & MISC. ITEMS  | 3910128-20<br>41470-1028<br>42940-0000 | 3.9*<br>2.8<br>0.2<br>0.8 | 16.8*<br>13.0<br>67.0<br>17.0 |
| H22-A-1 | CESSNA 300 NAV/COM, 720 CH COM INSTL.<br>REQUIRES--H34-A TO OPERATE, 1ST UNIT   | 3910183-1                              | 7.6*                      | 13.8*                         |

| ITEM NO | EQUIPMENT LIST DESCRIPTION   | REF DRAWING   | WT LBS   | ARM INS   |
|---------|--|---|--|---|
| H22-A-2 | <ul style="list-style-type: none"> <li>--H37-A TO OPERATE, 2ND UNIT</li> <li>-RECEIVER/TRANSCIVER, RT-385A</li> <li>-VOR/LOC INDICATOR, IN-380A</li> <li>-MOUNT, WIRING &amp; MISC ITEMS</li> </ul> <p>CESSNA 300 NAV/COM, 720 CH COM INSTL.<br/>REQUIRES--H34-A TO OPERATE, 1ST UNIT<br/>--H37-A TO OPERATE, 2ND UNIT</p> <ul style="list-style-type: none"> <li>-RECEIVER/TRANSCIVER, RT-385A</li> <li>-VOR/LOC INDICATOR, IN-385A</li> <li>-MOUNT, WIRING &amp; MISC. ITEMS</li> </ul>  | <p>46660-1000<br/>50570-1000</p> <p>3910183-1</p> <p>46660-1000<br/>46860-1000</p>  | <p>5.5<br/>1.4<br/>0.7</p> <p>7.8*</p> <p>5.5<br/>1.6<br/>0.7</p>                                      | <p>13.3<br/>15.5<br/>13.8</p> <p>13.8*</p> <p>13.3<br/>15.5<br/>13.8</p>  |
| H28-A   | <ul style="list-style-type: none"> <li>EMERGENCY LOCATOR TRANSMITTER</li> <li>-TRANSMITTER</li> <li>-ANTENNA AND CABLE</li> </ul>  | <p>0470435-1<br/>C589512<br/>C589512<br/>C589512</p>  | <p>3.0*</p> <p>2.7<br/>0.2</p>   | <p>106.7*</p> <p>107.1<br/>101.3</p>  |
| H33-A   | <ul style="list-style-type: none"> <li>INTERCOM SYSTEM INSTALLATION</li> <li>INCLUDES 2 PADDED HEADSETS (H56-A), &amp;</li> <li>REQUIRES AUDIO PANEL</li> <li>HEADSET ARM AS USED BY OCCUPANT</li> </ul>   | <p>3910210</p>  | <p>3.1</p>   | <p>33.8</p>   |
| H34-A   | <ul style="list-style-type: none"> <li>BASIC AVIONICS KIT INSTALLATION</li> <li>REQUIRED W/1ST UNIT NAV/COM RADIO</li> <li>-RADIO COOLING FAN &amp; 1ST N/C DUCTING</li> <li>-NOISE FILTER (AUDIO) (ON ALTERNATOR)</li> <li>-LH COM ANTENNA CABLE</li> <li>-OMNI ANTENNA CABLE</li> <li>-ANTI-P-STATIC NAV ANTENNA</li> <li>-VHF L.H. COM ANTENNA</li> <li>-MICROPHONE INSTALLATION</li> <li>-1ST N/C TRANSCIVER KIT</li> <li>-CABIN SPEAKER INSTALLATION</li> <li>-HEADPHONE INSTALLATION</li> <li>-SWITCH, POTENTIOMETER &amp; ANT. ADAPTER</li> </ul> | <p>3910186-1</p> <p>3930261<br/>3940148-2<br/>3950140-5<br/>3950104-4<br/>3960102-9<br/>3960113-1<br/>3970261<br/>3930260-2<br/>3970123-6<br/>3970125-1<br/>3970146</p> | <p>5.7*</p> <p>1.3<br/>0.1<br/>0.3<br/>0.7<br/>0.5<br/>0.4<br/>0.4<br/>0.1<br/>1.1<br/>0.2<br/>0.2</p> | <p>49.7*</p> <p>3.8<br/>-24.5<br/>22.0<br/>95.3<br/>220.8<br/>55.9<br/>17.8<br/>15.5<br/>49.3<br/>14.3<br/>18.4</p> |
| H37-A   | <ul style="list-style-type: none"> <li>ANTENNA &amp; COUPLER KIT INSTALLATION</li> <li>REQUIRED W/2ND UNIT NAV/COM RADIO</li> <li>-RH COM ANTENNA INSTALLATION</li> <li>-RH COM ANTENNA CABLE</li> <li>-OMNI ANTENNA COUPLER INSTL.</li> <li>-RADIO COOLING</li> </ul>   | <p>3910185-1</p> <p>3960113-2<br/>3950140-4<br/>3960111-11<br/>3930261</p>  | <p>1.0*</p> <p>0.4<br/>0.3<br/>0.2<br/>0.1</p>   | <p>30.5*</p> <p>55.9<br/>22.0<br/>5.0<br/>5.2</p>   |

SECTION 6  
WEIGHT & BALANCE/  
EQUIPMENT LIST

CESSNA  
MODEL 152

| ITEM NO | EQUIPMENT LIST DESCRIPTION  | REF DRAWING   | WT LBS  | ARM INS   |
|---------|---|---|---|---|
| H55-A   | HEADSET-MICROPHONE, RQS. ALL PURPOSE CONTROL WHEEL  | C596533-0101  | 0.3   | 17.2  |
| H56-A   | PADDED HEADPHONE-MIKE ASSY, REQUIRES ALL-PURPOSE CONTROL WHEEL  | C596531-0101  | 1.1   | 14.0  |
| J01-A   | J. SPECIAL OPTION PACKAGES<br><br>I52-II PACKAGE EQUIPMENT<br>-C43-A OMNI FLASHING BEACON LIGHT<br>-D64-A GYRO & VACUUM SYSTEM<br>-D82-A OUTSIDE AIR TEMP. INDICATOR<br>-D88-A-2 TURN COORDINATOR<br>-D91-A VERTICAL SPEED INDICATOR<br>-E51-A SUN VISOR<br>-E85-A DUAL CONTROLS RT-385A<br>-H22-A 300 NAV/COM, RT-385A<br>-H34-A BASIC AVIONICS KIT<br>-G13-A INTERNAL CORROSION PROOFING                  | 4060003-1<br>0413596<br>C668507-0101<br>C661003-0506<br>C661080-0101<br>0514166-1<br>0460118-2<br>3910183-1<br>3910186-1<br>0400027 | 39.9*<br>1.3<br>9.2<br>0.1<br>1.0<br>1.0<br>1.0<br>4.5<br>7.5<br>5.7<br>8.5 | 37.1*<br>193.7<br>8.2<br>22.2<br>17.2<br>18.0<br>27.0<br>11.5<br>13.8<br>49.7<br>79.0 |
| J05-A   | TRAINER PACKAGE REQUIRED II PACKAGE AND INCLUDES THE FOLLOWING ITEMS, IN ADDITION TO ITEMS IN J01-A (II PACKAGE)<br>-A73-A OIL JACK DRAIN<br>-D49-A EGT INDICATOR<br>-D67-A RECORDERS, FLIGHT HOURMETER<br>-E57-A WINDOWS, TINTED, CABIN<br>-E89-O ALL PURPOSE CONTROL WHEEL<br>-G58-A STEP & HANDLES<br>-H16-A-1 CESSNA 300 TRANSPONDER<br>-H33-A INTERCOM SYSTEM (INCLUDED)<br>H56-A HEADSET ASSY-PADDED) | 1701015<br>0401028-1<br>0401017<br>0400324-1<br>0470117<br>0413456-2<br>3910127-1<br>3910210  | NEGL<br>0.7<br>0.6<br>NEGL<br>2.1<br>3.8<br>3.1                             | -<br>9.0<br>5.2<br>-<br>9.9<br>16.8<br>33.8   |



# SECTION 7 AIRPLANE & SYSTEMS DESCRIPTIONS

## TABLE OF CONTENTS

|  | Page |
|--|------|
| Introduction . . . . .   | 7-3  |
| Airframe . . . . .   | 7-3  |
| Flight Controls . . . . .  | 7-8  |
| Trim System . . . . .  | 7-8  |
| Instrument Panel . . . . .   | 7-8  |
| Ground Control . . . . .   | 7-9  |
| Wing Flap System . . . . .   | 7-10 |
| Landing Gear System . . . . .  | 7-10 |
| Baggage Compartment . . . . .  | 7-10 |
| Seats . . . . .  | 7-11 |
| Seat Belts And Shoulder Harnesses . . . . .                          | 7-13 |
| Seat Belts . . . . .   | 7-13 |
| Shoulder Harnesses . . . . .   | 7-13 |
| Integrated Seat Belt/Shoulder Harnesses With Inertia Reels . . . . . | 7-14 |
| Entrance Doors And Cabin Windows . . . . .                           | 7-14 |
| Control Locks . . . . .  | 7-15 |
| Engine . . . . .   | 7-15 |
| Engine Controls . . . . .  | 7-15 |
| Engine Instruments . . . . .   | 7-16 |
| New Engine Break-In And Operation . . . . .                          | 7-17 |
| Engine Lubrication System . . . . .                                  | 7-17 |
| Ignition-Starter System . . . . .                                    | 7-17 |
| Air Induction System . . . . .                                       | 7-18 |
| Exhaust System . . . . .   | 7-18 |
| Carburetor And Priming System . . . . .                              | 7-18 |
| Cooling System . . . . .   | 7-19 |
| Propeller . . . . .  | 7-19 |
| Fuel System . . . . .  | 7-19 |
| Brake System . . . . .   | 7-22 |
| Electrical System . . . . .  | 7-22 |
| Master Switch . . . . .  | 7-24 |
| Ammeter . . . . .  | 7-24 |

## TABLE OF CONTENTS (Continued)

|   | Page |
|---|------|
| Alternator Control Unit And Low-Voltage Warning Light . . . | 7-24 |
| Circuit Breakers And Fuses . . . . .                        | 7-25 |
| Ground Service Plug Receptacle . . . . .                    | 7-25 |
| Lighting Systems . . . . .                                  | 7-25 |
| Exterior Lighting . . . . .                                 | 7-25 |
| Interior Lighting . . . . .                                 | 7-26 |
| Cabin Heating, Ventilating And Defrosting System . . . . .  | 7-27 |
| Pitot-Static System And Instruments . . . . .               | 7-29 |
| Airspeed Indicator . . . . .                                | 7-29 |
| Vertical Speed Indicator . . . . .                          | 7-29 |
| Altimeter . . . . .   | 7-30 |
| Vacuum System And Instruments . . . . .                     | 7-30 |
| Attitude Indicator . . . . .                                | 7-30 |
| Directional Indicator . . . . .                             | 7-30 |
| Suction Gage . . . . .                                      | 7-30 |
| Low-Vacuum Warning Light . . . . .                          | 7-32 |
| Outside Air Temperature (OAT) Gage . . . . .                | 7-32 |
| Stall Warning System . . . . .                              | 7-32 |
| Avionics Support Equipment . . . . .                        | 7-32 |
| Avionics Cooling Fan . . . . .                              | 7-33 |
| Microphone-Headset Installations . . . . .                  | 7-33 |
| Static Dischargers . . . . .                                | 7-34 |
| Cabin Features . . . . .                                    | 7-34 |
| Cabin Fire Extinguisher . . . . .                           | 7-34 |

## INTRODUCTION

This section provides description and operation of the airplane and its systems. Some equipment described herein is optional and may not be installed in the airplane. Refer to Section 9, Supplements, for details of other optional systems and equipment.

## AIRFRAME

The airplane is an all-metal, two-place, high-wing, single-engine airplane equipped with tricycle landing gear and designed for general utility purposes.

The construction of the fuselage is a conventional formed sheet metal bulkhead, stringer, and skin design referred to as semimonocoque. Major items of structure are the front and rear carry-through spars to which the wings are attached, a bulkhead and forgings for main landing gear attachment at the base of the rear door posts, and a bulkhead with attaching plates at the base of the forward door posts for the lower attachment of the wing struts. Four engine mount stringers are also attached to the forward door posts and extend forward to the firewall.

The externally braced wings, containing the fuel tanks, are constructed of a front and rear spar with formed sheet metal ribs, doublers, and stringers. The entire structure is covered with aluminum skin. The front spars are equipped with wing-to-fuselage and wing-to-strut attach fittings. The aft spars are equipped with wing-to-fuselage attach fittings, and are partial-span spars. Conventional hinged ailerons and single-slotted flaps are attached to the trailing edge of the wings. The ailerons are constructed of a forward spar containing balance weights, formed sheet metal ribs and "V" type corrugated aluminum skin joined together at the trailing edge. The flaps are constructed basically the same as the ailerons, with the exception of the balance weights and the addition of a formed sheet metal leading edge section.

The empennage (tail assembly) consists of a conventional vertical stabilizer, rudder, horizontal stabilizer, and elevator. The vertical stabilizer consists of a spar, formed sheet metal ribs and reinforcements, a wrap-around skin panel, formed leading edge skin and a dorsal. The rudder is constructed of a formed leading edge skin containing hinge halves, a wrap-around skin panel and ribs, and a formed trailing edge skin with a ground adjustable trim tab at its base. The top of the rudder incorporates a leading edge extension which contains a balance weight. The horizontal stabilizer is constructed of a forward spar, main spar, formed sheet metal ribs and stiffeners, a wrap-around skin panel, and formed leading edge skins. The

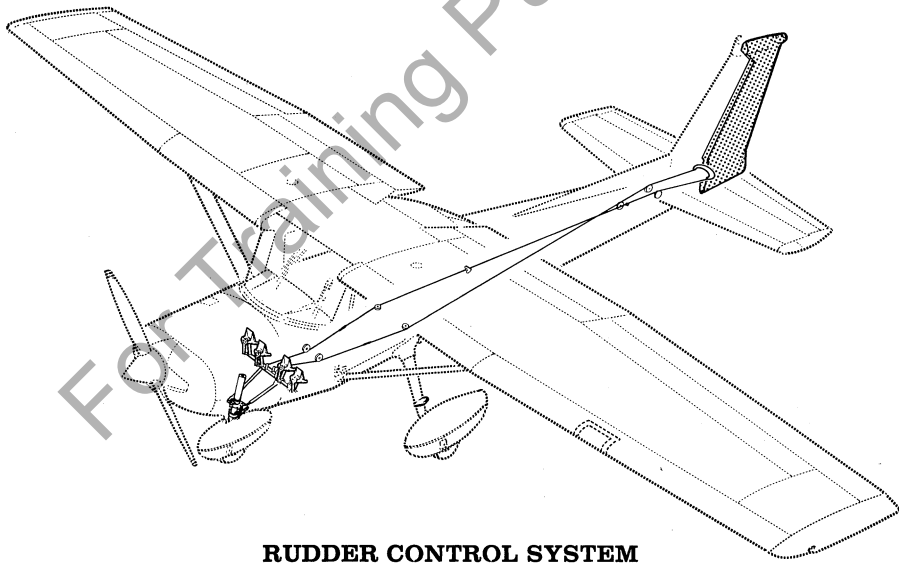
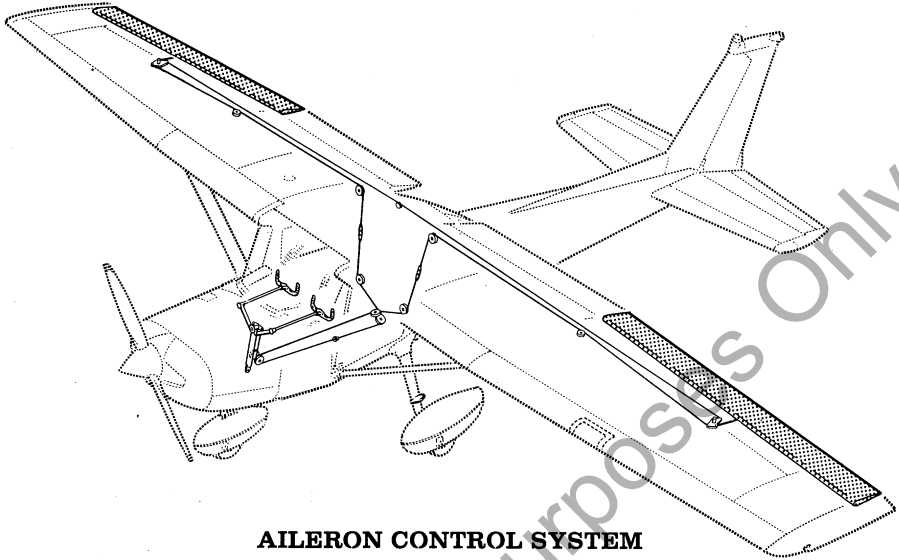
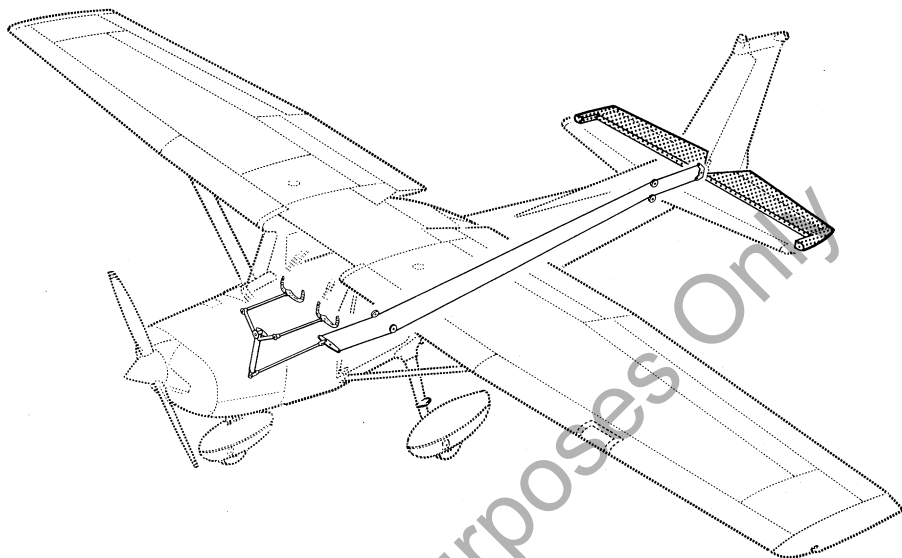
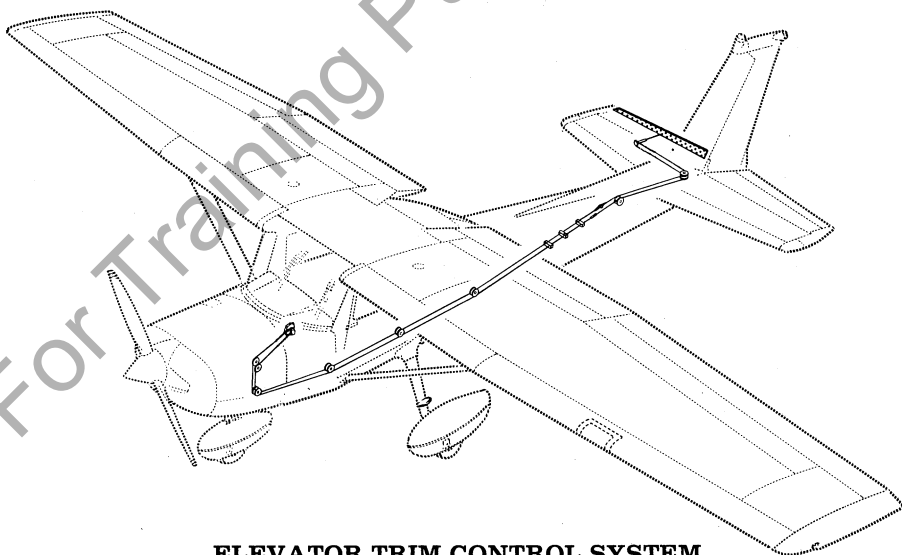


Figure 7-1. Flight Control and Trim Systems (Sheet 1 of 2)



**ELEVATOR CONTROL SYSTEM**



**ELEVATOR TRIM CONTROL SYSTEM**

Figure 7-1. Flight Control and Trim Systems (Sheet 2 of 2)

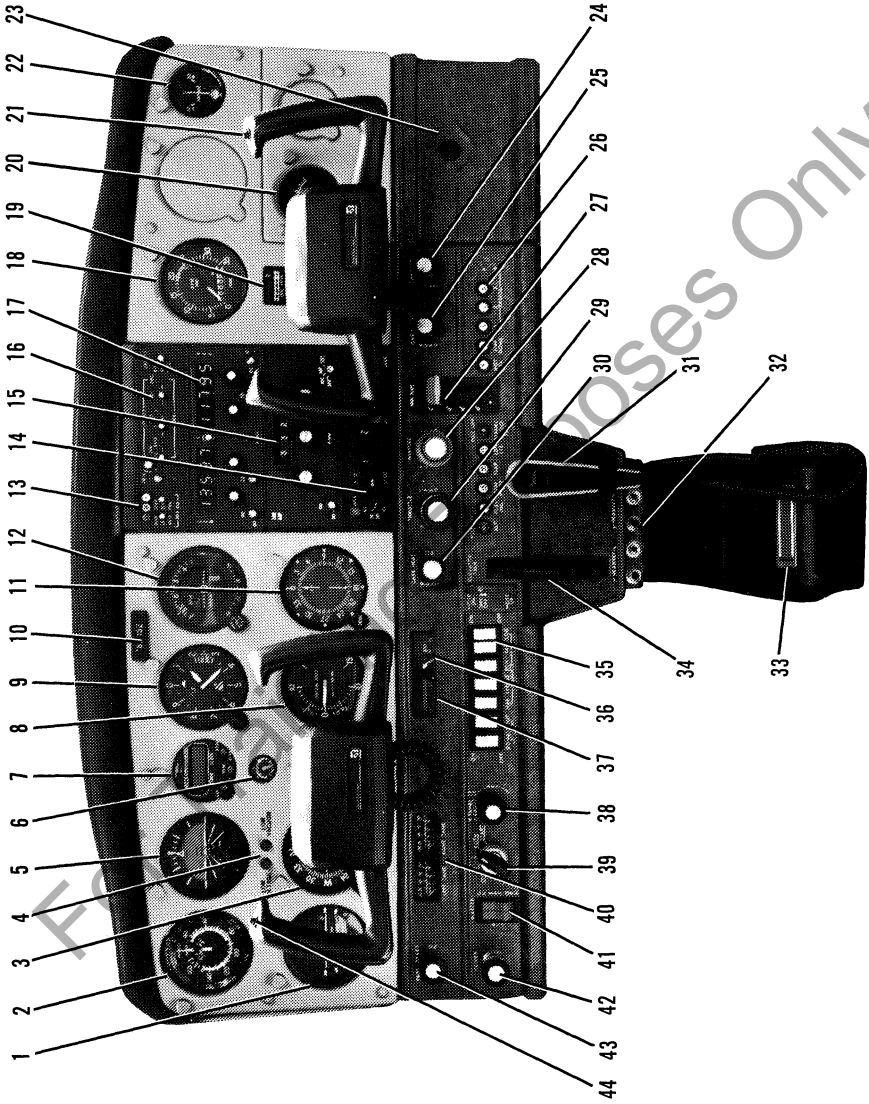


Figure 7-2. Instrument Panel (Sheet 1 of 2)

- |     |  |     |  |
|-----|--|-----|--|
| 1.  | Turn Coordinator                               | 24. | Cabin Heat Control                                 |
| 2.  | Airspeed Indicator                             | 25. | Cabin Air Control                                  |
| 3.  | Directional Indicator                          | 26. | Circuit Breakers                                   |
| 4.  | Low-Voltage and Low-Vacuum Warning Lights      | 27. | Wing Flap Switch and Position Indicator            |
| 5.  | Attitude Indicator                             | 28. | Mixture Control                                    |
| 6.  | Suction Gage                                   | 29. | Throttle (With Friction Lock)                      |
| 7.  | Digital Clock                                  | 30. | Carburetor Heat Control                            |
| 8.  | Vertical Speed Indicator                       | 31. | Microphone   |
| 9.  | Altimeter                                      | 32. | Headset Jacks                                      |
| 10. | Airplane Registration Number                   | 33. | Ash Tray   |
| 11. | ADF Bearing Indicator                          | 34. | Elevator Trim Control Wheel and Position Indicator |
| 12. | Course Deviation and ILS Glide Slope Indicator | 35. | Electrical Switches                                |
| 13. | Marker Beacon Indicator Lights and Switches    | 36. | Oil Pressure Gage                                  |
| 14. | Transponder                                    | 37. | Oil Temperature Gage                               |
| 15. | ADF Radio                                      | 38. | Instrument Panel and Radio Dial Lights Rheostat    |
| 16. | Audio Control Panel                            | 39. | Ignition Switch                                    |
| 17. | Nav/Com Radio                                  | 40. | Left and Right Fuel Quantity Indicators            |
| 18. | Tachometer                                     | 41. | Master Switch                                      |
| 19. | Flight Hour Recorder                           | 42. | Primer   |
| 20. | Economy Mixture Indicator (EGT)                | 43. | Parking Brake Control                              |
| 21. | Passenger's Microphone-Headset                 | 44. | Pilot's Microphone-Headset                         |
| 22. | Remote Keying Switch                           |     | Remote Keying Switch                               |
| 23. | Ammeter  |     |  |
|     | Map Compartment                                |     |  |

Figure 7-2. Instrument Panel (Sheet 2 of 2)

horizontal stabilizer also contains the elevator trim tab actuator. Construction of the elevator consists of a main spar and bellcrank, left and right wrap-around skin panels, and a formed trailing edge skin on the left half of the elevator; the entire trailing edge of the right half is hinged and forms the elevator trim tab. The leading edge of both left and right elevator tips incorporate extensions which contain balance weights.

## FLIGHT CONTROLS

The airplane's flight control system (see figure 7-1) consists of conventional aileron, rudder, and elevator control surfaces. The control surfaces are manually operated through mechanical linkage using a control wheel for the ailerons and elevator, and rudder/brake pedals for the rudder.

Extensions are available for the rudder/brake pedals. They consist of a rudder pedal face, two spacers and two spring clips. To install an extension, place the clip on the bottom of the extension under the bottom of the rudder pedal and snap the top clip over the top of the rudder pedal. Check that the extension is firmly in place. To remove the extensions, reverse the above procedures.

## TRIM SYSTEM

A manually-operated elevator trim tab is provided. Elevator trimming is accomplished through the elevator trim tab by utilizing the vertically mounted trim control wheel. Forward rotation of the trim wheel will trim nose-down; conversely, aft rotation will trim nose-up.

## INSTRUMENT PANEL

The instrument panel (see figure 7-2) is designed to place the primary flight instruments directly in front of the pilot. The gyro-operated flight instruments are arranged one above the other, slightly to the left of the control column with the low-vacuum and low-voltage warning lights between them. To the left of these instruments are the airspeed indicator and turn coordinator. The altimeter, vertical speed indicator, digital clock, suction gage and navigation instruments are above and/or to the right of the control column. Avionics equipment is stacked approximately on the centerline of the panel, with space for additional equipment on the lower right side of the instrument panel. The right side of the panel also contains the tachometer, ammeter, economy mixture indicator (EGT) and additional instruments such as a flight hour recorder and accelerometer. The left switch and control panel, under the primary instrument panel, contains the fuel quantity indicators and engine instruments positioned below the



pilot's control wheel. The electrical switches, panel and radio light rheostat knob, ignition and master switches, primer, and parking brake control are located around these instruments. The engine controls, wing flap switch, and cabin air and heat control knobs are to the right of the pilot, near the center of the switch and control panel. Directly below these controls are the elevator trim control wheel, trim position indicator, microphone, and circuit breakers. A map compartment is on the extreme right side of the switch and control panel.

For details concerning the instruments, switches, circuit breakers, and controls on this panel, refer in this section to the description of the systems to which these items are related.

## GROUND CONTROL

Effective ground control while taxiing is accomplished through nose wheel steering by using the rudder pedals; left rudder pedal to steer left and right rudder pedal to steer right. When a rudder pedal is depressed, a spring-loaded steering bungee (which is connected to the nose gear and to the rudder bars) will turn the nose wheel through an arc of approximately  $8.5^{\circ}$  each side of center. By applying either left or right brake, the degree of turn may be increased up to  $30^{\circ}$  each side of center.

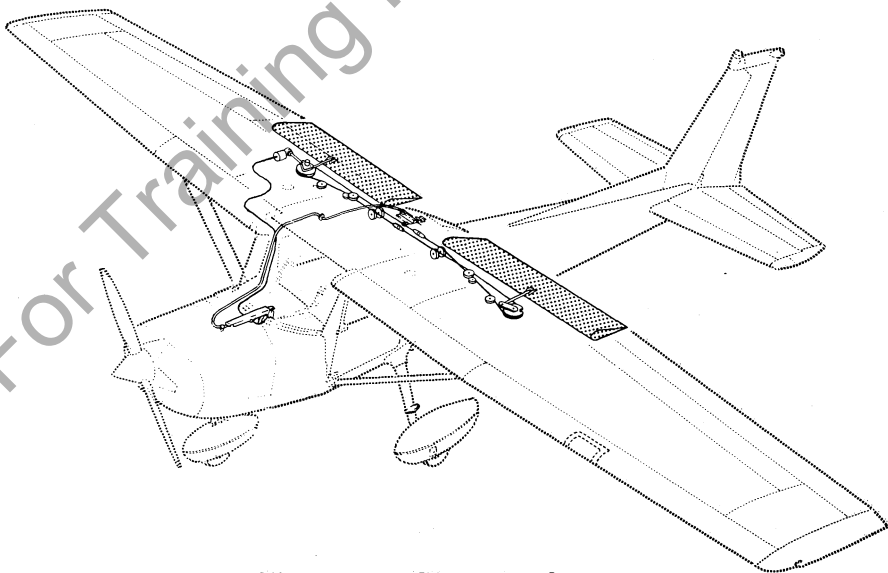


Figure 7-3. Wing Flap System

Moving the airplane by hand is most easily accomplished by attaching a tow bar to the nose gear strut. If a tow bar is not available, or pushing is required, use the wing struts as push points. Do not use the vertical or horizontal surfaces to move the airplane. If the airplane is to be towed by vehicle, never turn the nose wheel more than 30° either side of center or structural damage to the nose gear could result.

The minimum turning radius of the airplane, using differential braking and nose wheel steering during taxi, is approximately 25 feet 1 inch. To obtain a minimum radius turn during ground handling, the airplane may be rotated around either main landing gear by pressing down on the tailcone just forward of the vertical stabilizer to raise the nose wheel off the ground.

## WING FLAP SYSTEM

The wing flaps (see figure 7-3) are of the single-slot type with a maximum deflection of 30°. They are extended or retracted by positioning the wing flap switch lever on the instrument panel to the desired flap deflection position. The switch lever is moved up or down in a slot in the instrument panel that provides mechanical stops at the 10° and 20° positions. For flap settings greater than 10°, move the switch lever to the right to clear the stop and position it as desired. A scale and pointer on the left side of the switch lever indicates flap travel in degrees. The wing flap system circuit is protected by a 15-ampere circuit breaker, labeled FLAP, near the center of the switch and control panel.

## LANDING GEAR SYSTEM

The landing gear is of the tricycle type with a steerable nose wheel and two main wheels. The landing gear may be equipped with wheel fairings. Shock absorption is provided by the tubular spring-steel main landing gear struts and the air/oil nose gear shock strut. Each main gear wheel is equipped with a hydraulically actuated disc-type brake on the inboard side of each wheel. When wheel fairings are installed, an aerodynamic fairing covers each brake.

## BAGGAGE COMPARTMENT

The baggage compartment consists of the area from the back of the

pilot and passenger's seats to the aft cabin bulkhead. Access to the baggage compartment is gained from within the airplane cabin. A baggage net with six tie-down straps is provided for securing baggage and is attached by tying the straps to tie-down rings provided in the airplane. When loading the airplane, children should not be placed or permitted in the baggage compartment, unless a child's seat is installed, and any material that might be hazardous to the airplane or occupants should not be placed anywhere in the airplane. For baggage area dimensions, refer to Section 6.

## SEATS

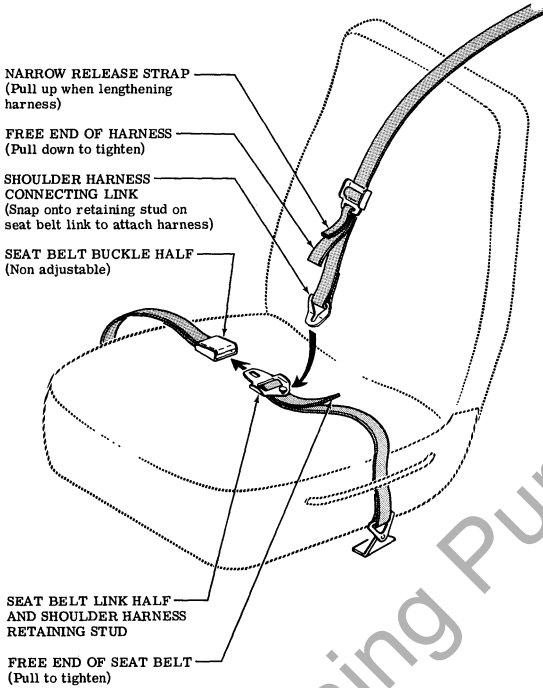
The seating arrangement consists of two separate adjustable seats for the pilot and passenger and, if installed, a child's seat in the rear cabin area. The pilot's and passenger's seats are available in two designs: four-way and six-way adjustable.

Four-way seats may be moved forward or aft, and the seat back angle changed. To position either seat, lift the lever under the inboard corner of the seat, slide the seat into position, release the lever, and check that the seat is locked in place. To adjust the seat back, pull forward on the knob under the center of the seat and apply pressure to the back. To return the seat back to the upright position, pull forward on the exposed portion of the seat back frame. Both seat backs will also fold full forward.

The six-way seats may be moved forward or aft, adjusted for height, and the seat back angle changed. Position either seat by lifting the tubular handle under the inboard front corner of the seat bottom and slide the seat to the desired position. Release the lever and check that the seat is locked in place. To raise or lower the seat, rotate the crank located under the outboard corner of each seat. Seat back angle is adjustable by rotating a lever on the rear inboard corner of each seat. To adjust either seat back, rotate the lever aft and apply pressure against the back until it stops moving; then release the lever. The seat back may be returned to the upright position by pulling forward on the exposed portion of the lower seat back frame. Check that the release lever has returned to its vertical position. Both seat backs will fold full forward.

A child's seat is available for installation in the rear of the cabin. The seat back is secured to the cabin sidewalls, and the seat bottom is attached to brackets on the floor. This seat is non-adjustable.

STANDARD SHOULDER  
HARNESS



SEAT BELT/SHOULDER  
HARNESS WITH INERTIA  
REEL

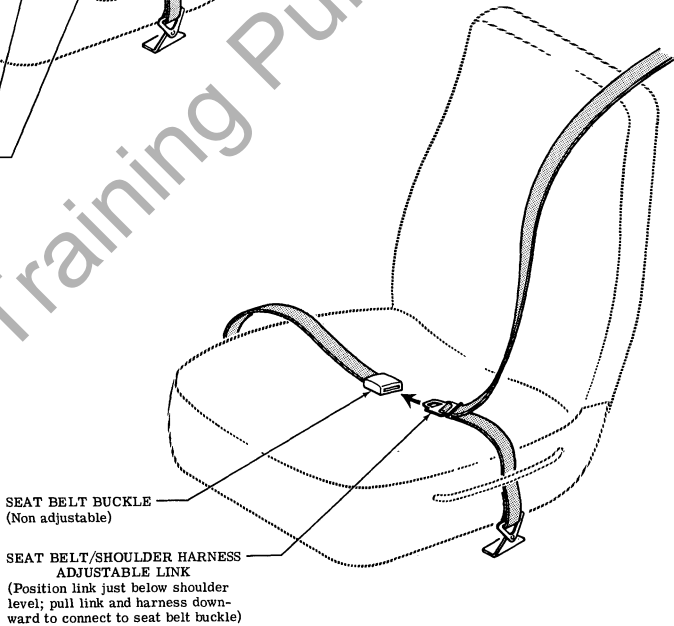


Figure 7-4. Seat Belts and Shoulder Harnesses

## SEAT BELTS AND SHOULDER HARNESSSES

All seat positions are equipped with seat belts (see figure 7-4). The pilot's and passenger's seats are also equipped with separate shoulder harnesses. Integrated seat belt/shoulder harnesses with inertia reels can be furnished for the pilot's and passenger's seat positions if desired.

### SEAT BELTS

The seat belts used with the pilot's seat, passenger's seat, and the child's seat (if installed) are attached to fittings on the floorboard. The buckle half of the seat belt is inboard of each seat and has a fixed length; the link half of the belt is outboard and is the adjustable part of the belt.

To use the seat belts for the pilot's and passenger's seats, position the seat as desired, and then lengthen the link half of the belt as needed by grasping the sides of the link and pulling against the belt. Insert and lock the belt link into the buckle. Tighten the belt to a snug fit by pulling the free end of the belt. The seat belt for the child's seat (if installed) is used in the same manner as the belts for the pilot's and passenger's seats. To release the seat belts, grasp the top of the buckle opposite the link and pull upward.

### SHOULDER HARNESSSES

Each shoulder harness is attached to a rear doorpost above the window line and is stowed behind a stowage sheath above the cabin door. To stow the harness, fold it and place it behind the sheath. No harness is available for the child's seat.

The shoulder harnesses are used by fastening and adjusting the seat belt first. Then, lengthen the harness as required by pulling on the connecting link on the end of the harness and the narrow release strap. Snap the connecting link firmly onto the retaining stud on the seat belt link half. Then adjust to length. Removing the harness is accomplished by pulling upward on the narrow release strap and removing the harness connecting link from the stud on the seat belt link. In an emergency, the shoulder harness may be removed by releasing the seat belt first and allowing the harness, still attached to the link half of the seat belt, to drop to the side of the seat.

Adjustment of the shoulder harness is important. A properly adjusted harness will permit the occupant to lean forward enough to sit completely erect, but prevent excessive forward movement and contact with objects during sudden deceleration. Also, the pilot will want the freedom to reach all controls easily.

## INTEGRATED SEAT BELT/SHOULDER HARNESSES WITH INERTIA REELS

Integrated seat belt/shoulder harnesses with inertia reels are available for the pilot and front seat passenger. The seat belt/shoulder harnesses extend from inertia reels located in the upper cabin sidewall just aft of each cabin door to attach points outboard of the front seats. A separate seat belt half and buckle is located inboard of the seats. Inertia reels allow complete freedom of body movement. However, in the event of a sudden deceleration, they will lock automatically to protect the occupants.

To use the seat belt/shoulder harness, position the adjustable metal link on the harness at about shoulder level, pull the link and harness downward, and insert the link in the seat belt buckle. Adjust belt tension across the lap by pulling upward on the shoulder harness. Removal is accomplished by releasing the seat belt buckle, which will allow the inertia reel to pull the harness outboard of the seat.

## ENTRANCE DOORS AND CABIN WINDOWS

Entry to, and exit from the airplane is accomplished through either of two entry doors, one on each side of the cabin (refer to Section 6 for cabin and cabin door dimensions). The doors incorporate a recessed exterior and interior door handle, a key-operated door lock (left door only), a door stop mechanism, and an openable window.

To open the doors from outside the airplane, utilize the recessed door handle near the aft edge of each door. Grasp the forward edge of the handle and pull out. To close or open the doors from inside the airplane, use the recessed door handle and arm rest. Both cabin doors should be checked for security prior to flight, and should not be opened intentionally during flight.

### NOTE

Accidental opening of a cabin door in flight due to improper closing does not constitute a need to land the airplane. The best procedure is to set up the airplane in a trimmed condition at approximately 65 KIAS, momentarily shove the door outward slightly, and forcefully close the door.

Exit from the airplane is accomplished by grasping the forward edge of the door handle and pulling. To lock the airplane, lock the right cabin door from the inside by lifting up on the lever near the aft edge of the door, close the left cabin door, and using the ignition key, lock the door.

Both cabin doors are equipped with openable windows. The windows are held in the closed position by a detent equipped latch on the lower edge of the window frame. To open either window, rotate the latch upward. The windows are equipped with a spring-loaded retaining arm which will help rotate the window outward, and hold it there. If required, the windows may be opened at any speed up to 149 KIAS. All other cabin windows are of the fixed type and cannot be opened. Two additional fixed windows may be installed in the cabin top.

## CONTROL LOCKS

A control lock is provided to lock the aileron and elevator control surfaces to prevent damage to these systems by wind buffeting while the airplane is parked. The lock consists of a shaped steel rod and flag. The flag identifies the control lock and cautions about its removal before starting the engine. To install the control lock, align the hole in the top of the pilot's control wheel shaft with the hole in the top of the shaft collar on the instrument panel and insert the rod into the aligned holes. Installation of the lock will secure the ailerons in a neutral position and the elevators in a slightly trailing edge down position. Proper installation of the lock will place the flag over the ignition switch. In areas where high or gusty winds occur, a control surface lock should be installed over the vertical stabilizer and rudder. The control lock and any other type of locking device should be removed prior to starting the engine.

## ENGINE

The airplane is powered by a horizontally-opposed, four-cylinder, overhead-valve, air-cooled, carbureted engine with a wet sump lubrication system. The engine is a Lycoming Model O-235-N2C and is rated at 108 horsepower at 2550 RPM. Major engine accessories (mounted on the front of the engine) include a starter, a belt-driven alternator, and an oil cooler. Dual magnetos and a full-flow oil filter are mounted on the rear of the engine. Provisions are also made for a vacuum pump.

## ENGINE CONTROLS

Engine power is controlled by a throttle located on the lower center portion of the instrument panel. The throttle operates in a conventional manner; in the full forward position, the throttle is open, and in the full aft position, it is closed. A friction lock, which is a round knurled disk, is located at the base of the throttle and is operated by rotating the lock clockwise to increase friction or counterclockwise to decrease it.

The mixture control, mounted above the right corner of the control pedestal, is a red knob with raised points around the circumference and is equipped with a lock button in the end of the knob. The rich position is full forward, and full aft is the idle cut-off position. For small adjustments, the control may be moved forward by rotating the knob clockwise, and aft by rotating the knob counterclockwise. For rapid or large adjustments, the knob may be moved forward or aft by depressing the lock button in the end of the control, and then positioning the control as desired.

## ENGINE INSTRUMENTS

Engine operation is monitored by the following instruments: oil pressure gage, oil temperature gage, and a tachometer. An economy mixture (EGT) indicator is also available.

The oil pressure gage, located on the left switch and control panel, is operated by oil pressure. A direct pressure oil line from the engine delivers oil at engine operating pressure to the oil pressure gage. Gage markings indicate that minimum idling pressure is 25 PSI (red line), the normal operating range is 60 to 90 PSI (green arc), and maximum pressure is 115 PSI (red line).

Oil temperature is indicated by a gage located on the left switch and control panel. The gage is operated by an electrical-resistance type temperature sensor which receives power from the airplane electrical system. Gage markings indicate the normal operating range (green arc) which is 100°F (38°C) to 245°F (118°C), and the maximum (red line) which is 245°F (118°C).

The engine-driven mechanical tachometer is located near the upper center portion of the instrument panel. The instrument is calibrated in increments of 100 RPM and indicates both engine and propeller speed. An hour meter below the center of the tachometer dial records elapsed engine time in hours and tenths. Instrument markings include a normal operating range (green arc) of 1900 to 2550 RPM, and a maximum (red line) of 2550 RPM. The upper end of the green arc is "stepped" to indicate approximate RPM for 75% engine power at sea level (2350 RPM), at 4000 feet (2450 RPM), and at 8000 feet (2550 RPM).

An economy mixture (EGT) indicator is available for the airplane and is located on the right side of the instrument panel. A thermocouple probe in the muffler tailpipe measures exhaust gas temperature and transmits it to the indicator. The indicator serves as a visual aid to the pilot in adjusting cruise mixture. Exhaust gas temperature varies with fuel-to-air ratio, power, and RPM. However, the difference between the peak EGT and the EGT at the cruise mixture setting is essentially constant and this provides a useful leaning aid. The indicator is equipped with a manually positioned reference pointer.



## NEW ENGINE BREAK-IN AND OPERATION

The engine underwent a run-in at the factory and is ready for the full range of use. It is, however, suggested that cruising be accomplished at 75% power as much as practicable until a total of 50 hours has accumulated or oil consumption has stabilized. This will ensure proper seating of the rings.

## ENGINE LUBRICATION SYSTEM

The engine utilizes a full pressure, wet sump-type lubrication system with aviation grade oil used as the lubricant. The capacity of the engine sump (located at the bottom of the engine) is six quarts (one additional quart is required for the full flow oil filter). Oil is drawn from the sump through an oil suction strainer screen into the engine-driven oil pump. Oil passes from the pump to a thermostatically controlled bypass valve. If the oil is cold, the bypass valve allows the oil to bypass the oil cooler and flow directly to the filter. If the oil is hot, the bypass valve routes the oil from the accessory case forward through a flexible hose to the engine oil cooler mounted on the left forward side of the engine. Returning to the accessory case, the oil passes through the filter. The filtered oil then enters a pressure relief valve which regulates engine oil pressure by allowing excessive oil to return to the sump, while the balance of the pressure oil is circulated to various engine parts for lubrication. Residual oil returns to the sump by gravity flow.

An oil filler cap/oil dipstick is located at the rear of the engine on the right side. The filler cap/dipstick is accessible through an access door in the engine cowling. The engine should not be operated on less than four quarts of oil. To minimize loss of oil through the breather, fill to five quarts for normal flights of less than three hours. For extended flight, fill to six quarts (dipstick indication only). For engine oil grade and specifications, refer to Section 8 of this handbook.

An oil quick-drain valve is available to replace the drain plug in the oil sump drain port, and provides quicker, cleaner draining of the engine oil. To drain the oil with this valve installed, slip a hose over the end of the valve and push upward on the end of the valve until it snaps into the open position. Spring clips will hold the valve open. After draining, use a suitable tool to snap the valve into the extended (closed) position and remove the drain hose.

## IGNITION-STARTER SYSTEM

Engine ignition is provided by two engine-driven magnetos, and two spark plugs in each cylinder. The right magneto fires the lower right and the upper left spark plugs, and the left magneto fires the lower left and

upper right spark plugs. Normal operation is conducted with both magnetos due to the more complete burning of the fuel-air mixture with dual ignition.

Ignition and starter operation is controlled by a rotary type switch located on the left switch and control panel. The switch is labeled clockwise, OFF, R, L, BOTH, and START. The engine should be operated on both magnetos (BOTH position) except for magneto checks. The R and L positions are for checking purposes and emergency use only. When the switch is rotated to the spring-loaded START position, (with the master switch in the ON position), the starter contactor is energized and the starter will crank the engine. When the switch is released, it will automatically return to the BOTH position.

## AIR INDUCTION SYSTEM

The engine air induction system receives ram air through an intake in the lower portion of the engine cowling. The intake is covered by an air filter which removes dust and other foreign matter from the induction air. Airflow passing through the filter enters an airbox. After passing through the airbox, induction air enters the inlet in the carburetor which is under the engine, and is then ducted to the engine cylinders through intake manifold tubes. In the event carburetor ice is encountered or the intake filter becomes blocked, alternate heated air can be obtained from a shroud around an exhaust riser through a duct to a valve, in the airbox, operated by the carburetor heat control on the instrument panel. Heated air from the shroud is obtained from an unfiltered outside source. Use of full carburetor heat at full throttle will result in a loss of approximately 150 RPM.

## EXHAUST SYSTEM

Exhaust gas from each cylinder passes through riser assemblies to a muffler and tailpipe on the underside of the engine. The muffler is constructed with a shroud around the outside which forms a heating chamber for cabin heater air.

## CARBURETOR AND PRIMING SYSTEM

The engine is equipped with an up-draft, float-type, fixed jet carburetor mounted on the bottom of the engine. The carburetor is equipped with an enclosed accelerator pump, an idle cut-off mechanism, and a manual mixture control. Fuel is delivered to the carburetor by gravity flow from the fuel system. In the carburetor, fuel is atomized, proportionally mixed with intake air, and delivered to the cylinders through intake manifold tubes. The proportion of atomized fuel to air is controlled, within limits, by the mixture control on the instrument panel.

For starting, the engine is equipped with a manual priming system. The primer is actually a small pump which draws fuel from the fuel strainer when the plunger is pulled out, and injects it into the cylinder intake ports when the plunger is pushed back in. The plunger knob, on the instrument panel, is equipped with a lock and, after being pushed full in, must be rotated either left or right until the knob cannot be pulled out.

## COOLING SYSTEM

Ram air for engine cooling enters through two intake openings in the front of the engine cowling. The cooling air is directed around the cylinders and other areas of the engine by baffling, and is then exhausted through an opening at the bottom aft edge of the cowling. No manual cooling system control is provided.

A winterization kit is available for the airplane. Details of this kit are presented in Section 9, Supplements.

## PROPELLER

The airplane is equipped with a two-bladed, fixed-pitch, one-piece forged aluminum alloy propeller which is anodized to retard corrosion. The propeller is 69 inches in diameter.

## FUEL SYSTEM

The airplane may be equipped with either a standard fuel system or long range system (see figure 7-6). Both systems consist of two vented fuel tanks (one in each wing), a fuel shutoff valve, fuel strainer, manual primer, and carburetor. Refer to figure 7-5 for fuel quantity data for both systems.

Fuel flows by gravity from the two wing tanks to a fuel shutoff valve. With the valve in the ON position, fuel flows through a strainer to the carburetor. From the carburetor, mixed fuel and air flows to the cylinders through intake manifold tubes. The manual primer draws its fuel from the fuel strainer and injects it into the cylinder intake ports.

Fuel system venting is essential to system operation. Blockage of the venting system will result in a decreasing fuel flow and eventual engine stoppage. Venting is accomplished by an interconnecting line from the right fuel tank to the left tank. The left tank is vented overboard through a vent line which is equipped with a check valve, and protrudes from the bottom surface of the left wing near the wing strut attach point. The right fuel tank filler cap is also vented.

Fuel quantity is measured by two float-type fuel quantity transmitters (one in each tank) and indicated by two electrically-operated fuel quantity

| FUEL QUANTITY DATA (U.S. GALLONS) |                                    |            |                |                                    |
|-----------------------------------|------------------------------------|------------|----------------|------------------------------------|
| FUEL TANKS                        | FUEL LEVEL<br>(QUANTITY EACH TANK) | TOTAL FUEL | TOTAL UNUSABLE | TOTAL USABLE ALL FLIGHT CONDITIONS |
| STANDARD                          | FULL<br>(13)                       | 26.0       | 1.5            | 24.5                               |
| LONG RANGE                        | FULL<br>(19.5)                     | 39.0       | 1.5            | 37.5                               |
|                                   | REDUCED<br>(13)                    | 26.0       | 1.5            | 24.5                               |

Figure 7-5. Fuel Quantity Data

indicators on the lower left portion of the instrument panel. An empty tank is indicated by a red line and the letter E. When an indicator shows an empty tank, approximately .75 gallon remains in either a standard or long range tank as unusable fuel. The indicators cannot be relied upon for accurate readings during skids, slips, or unusual attitudes.

The amount of unusable fuel is relatively small due to the dual outlets at each tank. The maximum unusable fuel quantity, as determined from the most critical flight condition, is about 1.5 gallons total. This quantity was not exceeded by any other reasonable flight condition, including prolonged 30 second full-rudder sideslips in the landing configuration. Takeoffs have not been demonstrated with less than 2 gallons total fuel (1 gallon per tank).

The fuel system is equipped with drain valves to provide a means for the examination of fuel in the system for contamination and grade. The system should be examined before the first flight of every day and after each refueling, by using the sampler cup provided to drain fuel from the wing tank sump drains and the fuel line drain (on the right side of the fuselage belly below the lift strut to fuselage intersection). Also, drain a sample of fuel from the fuel strainer by utilizing the fuel strainer drain control under the access panel on the right side of the engine cowling. If any evidence of fuel contamination is found, it must be eliminated in accordance with the Preflight Inspection checklist and the discussion in Section 8 of this handbook. The fuel tanks should be filled after each flight to minimize condensation.

When the airplane is equipped with long range tanks, it may be serviced to a reduced fuel capacity to permit heavier cabin loadings. This

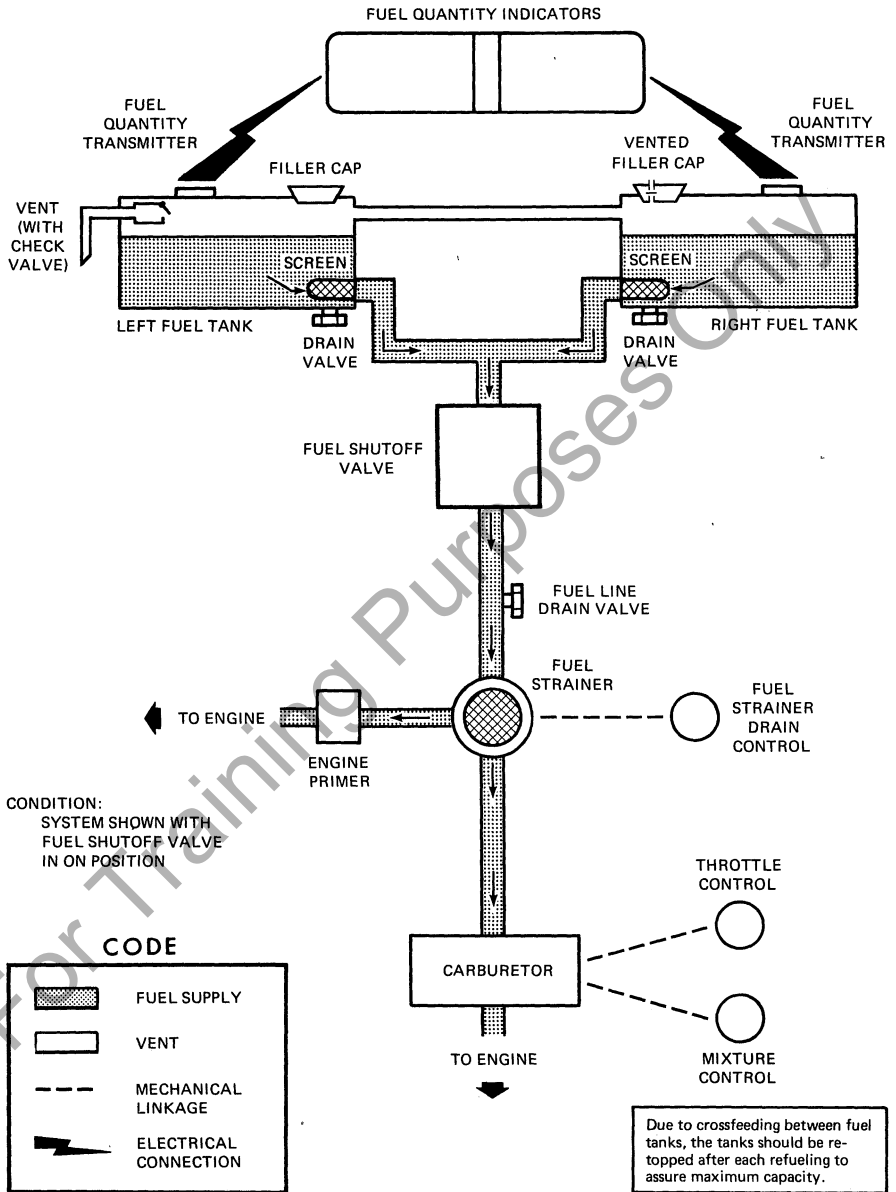


Figure 7-6. Fuel System (Standard and Long Range)

is accomplished by filling each tank to the bottom of the indicator on the fuel filler neck. When filled to this level, each tank contains 13 gallons (12.25 usable in all flight conditions).

## **BRAKE SYSTEM**

The airplane has a single-disc, hydraulically-actuated brake on each main landing gear wheel. Each brake is connected, by a hydraulic line, to a master cylinder attached to each of the pilot's rudder pedals. The brakes are operated by applying pressure to the top of either the left (pilot's) or right (copilot's) set of rudder pedals, which are interconnected. When the airplane is parked, both main wheel brakes may be set by utilizing the parking brake which is operated by a knob on the lower left side of the instrument panel.

For maximum brake life, keep the brake system properly maintained, and minimize brake usage during taxi operations and landings.

Some of the symptoms of impending brake failure are: gradual decrease in braking action after brake application, noisy or dragging brakes, soft or spongy pedals, and excessive travel and weak braking action. If any of these symptoms appear, the brake system is in need of immediate attention. If, during taxi or landing roll, braking action decreases, let up on the pedals and then re-apply the brakes with heavy pressure. If the brakes become spongy or pedal travel increases, pumping the pedals should build braking pressure. If one brake becomes weak or fails, use the other brake sparingly while using opposite rudder, as required, to offset the good brake.

## **ELECTRICAL SYSTEM**

The airplane is equipped with a 28-volt, direct-current electrical system (see figure 7-7). This system uses a 24-volt battery mounted on the right forward side of the firewall as the source of electrical energy and a belt-driven 60-amp alternator to maintain the battery's state of charge. Power is supplied to a bus bar, and a master switch controls this power to all circuits, except the engine ignition system, clock, and flight hour recorder (if installed). The flight hour recorder receives power through activation of an oil pressure switch whenever the engine is operating, and the clock is supplied with current at all times. All avionics equipment should be turned off prior to starting the engine or using an external power source to prevent harmful transient voltages from damaging the transistors in this equipment.

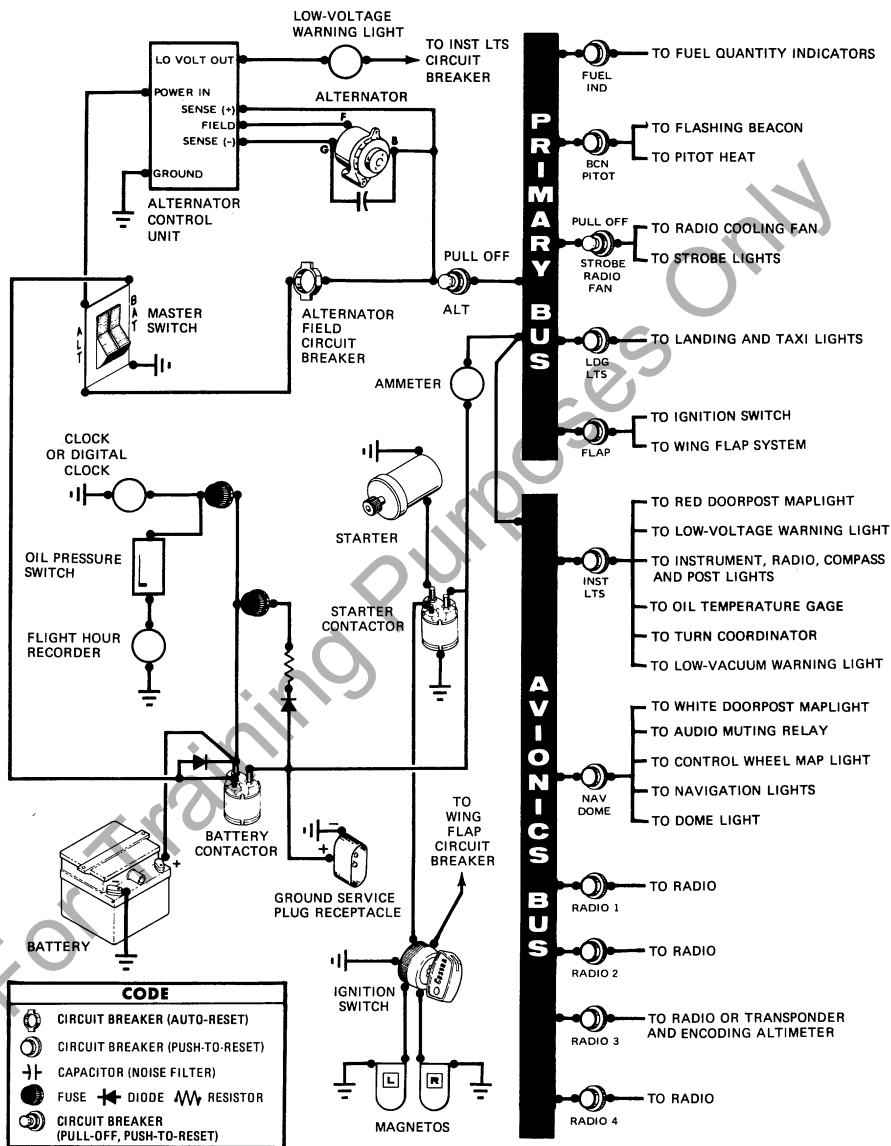


Figure 7-7. Electrical System

## MASTER SWITCH

The master switch is a split-rocker type switch labeled MASTER, and is ON in the up position and OFF in the down position. The right half of the switch, labeled BAT, controls all electrical power to the airplane. The left half, labeled ALT, controls the alternator.

Normally, both sides of the master switch should be used simultaneously; however, the BAT side of the switch could be turned ON separately to check equipment while on the ground. The ALT side of the switch, when placed in the OFF position, removes the alternator from the electrical system. With this switch in the OFF position, the entire electrical load is placed on the battery. Continued operation with the alternator switch in the OFF position will reduce battery power low enough to open the battery contactor, remove power from the alternator field, and prevent alternator restart.

## AMMETER

The ammeter, located on the upper right side of the instrument panel, indicates the amount of current, in amperes, from the alternator to the battery or from the battery to the airplane electrical system. When the engine is operating and the master switch is turned on, the ammeter indicates the charging rate applied to the battery. In the event the alternator is not functioning or the electrical load exceeds the output of the alternator, the ammeter indicates the battery discharge rate.

## ALTERNATOR CONTROL UNIT AND LOW-VOLTAGE WARNING LIGHT

The airplane is equipped with a combination alternator regulator high-low voltage control unit mounted on the engine side of the firewall and a red warning light, labeled LOW VOLTAGE, above the pilot's control column on the instrument panel.

In the event an over-voltage condition occurs, the alternator control unit automatically removes alternator field current which shuts down the alternator. The battery will then supply system current as shown by a discharge rate on the ammeter. Under these conditions, depending on electrical system load, the low-voltage warning light will illuminate when system voltage drops below normal. The alternator control unit may be reset by turning the master switch off and back on again. If the warning light does not illuminate, normal alternator charging has resumed; however, if the light does illuminate again, a malfunction has occurred, and the flight should be terminated as soon as practicable.



### NOTE

Illumination of the low-voltage light and ammeter discharge indications may occur during low RPM conditions with an electrical load on the system, such as during a low RPM taxi. Under these conditions, the light will go out at higher RPM. The master switch need not be recycled since an over-voltage condition has not occurred to de-activate the alternator system.

The warning light may be tested by turning on the landing lights and momentarily turning off the ALT portion of the master switch while leaving the BAT portion turned on.

### CIRCUIT BREAKERS AND FUSES

Most of the electrical circuits in the airplane are protected by "push-to-reset" type circuit breakers mounted under the engine controls on the instrument panel. However, circuit breakers protecting the alternator output and the radio cooling fan/strobe light circuits are the "pull-off" type. The control wheel map light (if installed) is protected by the NAV/DOME circuit breaker, and a fuse behind the instrument panel. Electrical circuits which are not protected by circuit breakers are the battery contactor closing (external power) circuit, clock circuit, and flight hour recorder circuit. These circuits are protected by fuses mounted adjacent to the battery.

Spare fuses are required to be carried in the airplane at all times. To assist the pilot in meeting this requirement, a special spare fuse holder is located inside the cover of the Pilot's Operating Handbook. This holder contains an assortment of spare fuses to be used in the event an installed fuse requires replacement. If one of the fuses from the holder is used, a replacement spare should be obtained for the fuse holder.

### GROUND SERVICE PLUG RECEPTACLE

A ground service plug receptacle may be installed to permit the use of an external power source for cold weather starting and during lengthy maintenance work on the electrical and electronic equipment. Details of the ground service plug receptacle are presented in Section 9, Supplements.

## LIGHTING SYSTEMS

### EXTERIOR LIGHTING

Conventional navigation lights are located on the wing tips and top of

the rudder, and dual landing/taxi lights are mounted in the left wing leading edge. Additional lighting is available and includes a flashing beacon located on top of the vertical fin, and a strobe light installed on each wing tip. Details of the strobe light system are presented in Section 9, Supplements.

All exterior lights are controlled by rocker switches on the left switch and control panel. The switches are ON in the up position and OFF in the down position.

The flashing beacon should not be used when flying through clouds or overcast; the flashing light reflected from water droplets or particles in the atmosphere, particularly at night, can produce vertigo and loss of orientation.

## INTERIOR LIGHTING

Instrument and control panel lighting is provided by flood lighting, integral lighting, and post lighting (if installed). Two concentric rheostat control knobs on the left switch and control panel, labeled PANEL LT and RADIO LT, control intensity of the instrument and control panel lighting. A slide-type switch (if installed) on the overhead console, labeled PANEL LIGHTS, is used to select flood lighting in the FLOOD position, post lighting in the POST position, or a combination of post and flood lighting in the BOTH position.

Instrument and control panel flood lighting consists of a single red flood light in the forward part of the overhead console. To use the flood lighting, rotate the PANEL LT rheostat control knob clockwise to the desired intensity.

The instrument panel may be equipped with post lights which are mounted at the edge of each instrument and provide direct lighting. The lights are operated by placing the PANEL LIGHTS selector switch, located in the overhead console, in the POST position and adjusting light intensity with the PANEL LT rheostat control knob. By placing the PANEL LIGHTS selector switch in the BOTH position, the post lights can be used in combination with the standard flood lighting.

The engine instrument cluster (if post lighting is installed), radio equipment, and magnetic compass have integral lighting and operate independently of post or flood lighting. Light intensity of the radio lighting is controlled by the RADIO LT rheostat control knob. The integral compass and engine instrument cluster light intensity is controlled by the PANEL LT rheostat control knob.

A cabin dome light, in the overhead console, is operated by a switch on

the left switch and control panel. To turn the light on, move the switch to the ON position.

A control wheel map light is available and is mounted on the bottom of the pilot's control wheel. The light illuminates the lower portion of the cabin just forward of the pilot and is helpful when checking maps and other flight data during night operations. To operate the light, first turn on the NAV LT switch; then adjust the map light's intensity with the rheostat control knob located at the bottom of the control wheel.

A doorpost map light is available, and is located on the left forward doorpost. It contains both red and white bulbs and may be positioned to illuminate any area desired by the pilot. The light is controlled by a switch, above the light, which is labeled RED, OFF, and WHITE. Placing the switch in the top position will provide a red light. In the bottom position, standard white lighting is provided. In the center position, the map light is turned off. Light intensity of the red light is controlled by the PANEL LT rheostat control knob.

The most probable cause of a light failure is a burned out bulb; however, in the event any of the lighting systems fail to illuminate when turned on, check the appropriate circuit breaker. If the circuit breaker has opened (white button popped out), and there is no obvious indication of a short circuit (smoke or odor), turn off the light switch of the affected lights, reset the breaker, and turn the switch on again. If the breaker opens again, do not reset it.

## **CABIN HEATING, VENTILATING AND DEFROSTING SYSTEM**

The temperature and volume of airflow into the cabin can be regulated by manipulation of the push-pull CABIN HT and CABIN AIR control knobs (see figure 7-8).

Heated fresh air and outside air are blended in a cabin manifold just aft of the firewall by adjustment of the heat and air controls; this air is then vented into the cabin from outlets in the cabin manifold near the pilot's and passenger's feet. Windshield defrost air is also supplied by a duct leading from the manifold to a pair of outlets below the windshield.

For cabin ventilation, pull the CABIN AIR knob out. To raise the air temperature, pull the CABIN HT knob out approximately 1/4 to 1/2 inch for a small amount of cabin heat. Additional heat is available by pulling the knob out farther; maximum heat is available with the CABIN HT knob pulled out and the CABIN AIR knob pushed full in. When no heat is desired in the cabin, the CABIN HT knob is pushed full in.

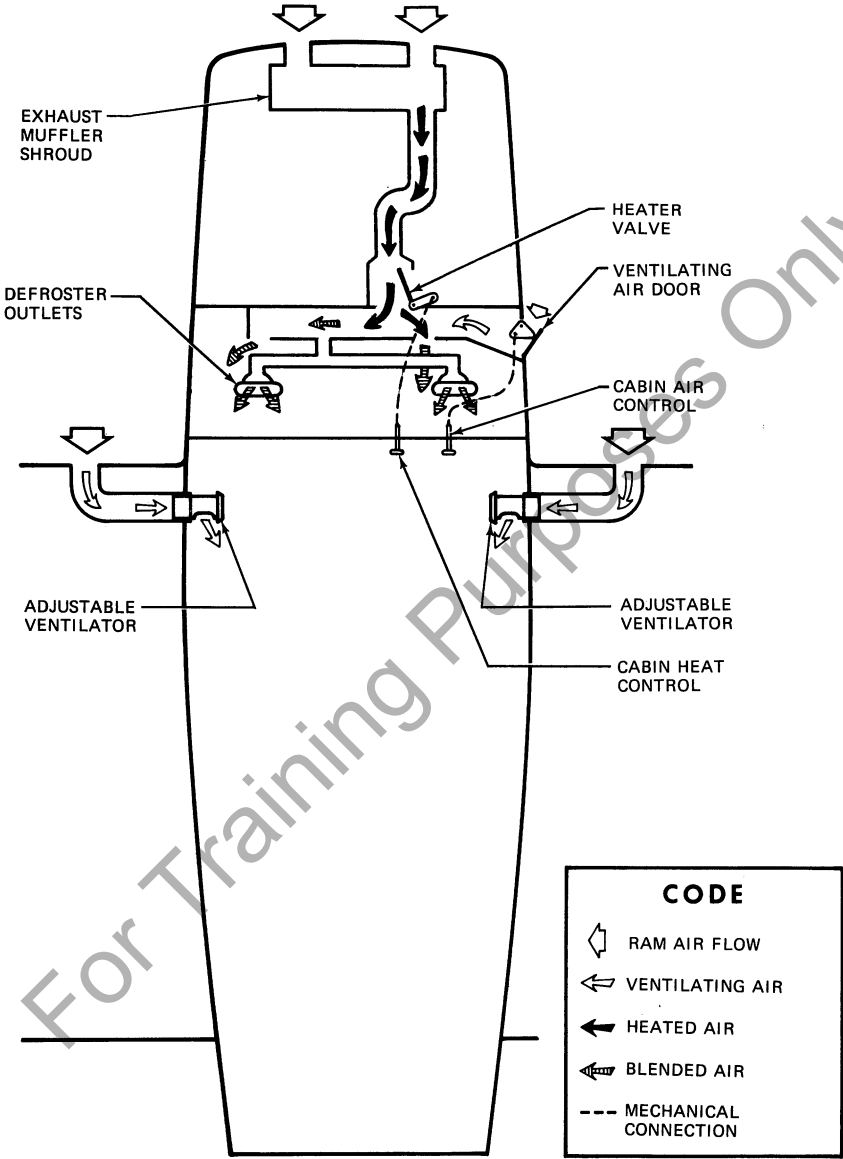


Figure 7-8. Cabin Heating, Ventilating, and Defrosting System

Additional ventilation air may be obtained by opening the adjustable ventilators near the upper left and right corners of the windshield.

## PITOT-STATIC SYSTEM AND INSTRUMENTS

The pitot-static system supplies ram air pressure to the airspeed indicator and static pressure to the airspeed indicator, vertical speed indicator and altimeter. The system is composed of either an unheated or heated pitot tube mounted on the lower surface of the left wing, an external static port on the lower left side of the forward fuselage, and the associated plumbing necessary to connect the instruments to the sources.

The heated pitot system consists of a heating element in the pitot tube, a rocker-type switch labeled PITOT HT on the left switch and control panel, a 15-amp circuit breaker under the engine controls on the instrument panel, and associated wiring. When the pitot heat switch is turned on, the element in the pitot tube is heated electrically to maintain proper operation in possible icing conditions. Pitot heat should be used only as required.

### AIRSPEED INDICATOR

The airspeed indicator is calibrated in knots and miles per hour. Limitation and range markings (in KIAS) include the white arc (35 to 85 knots), green arc (40 to 111 knots), yellow arc (111 to 149 knots), and a red line (149 knots).

If a true airspeed indicator is installed, it is equipped with a rotatable ring which works in conjunction with the airspeed indicator dial in a manner similar to the operation of a flight computer. To operate the indicator, first rotate the ring until **pressure** altitude is aligned with outside air temperature in degrees Fahrenheit. Pressure altitude should not be confused with indicated altitude. To obtain pressure altitude, momentarily set the barometric scale on the altimeter to 29.92 and read pressure altitude on the altimeter. Be sure to return the altimeter barometric scale to the original barometric setting after pressure altitude has been obtained. Having set the ring to correct for altitude and temperature, read the true airspeed shown on the rotatable ring by the indicator pointer. For best accuracy, the indicated airspeed should be corrected to calibrated airspeed by referring to the Airspeed Calibration chart in Section 5. Knowing the calibrated airspeed, read true airspeed on the ring opposite the calibrated airspeed.

### VERTICAL SPEED INDICATOR

The vertical speed indicator depicts airplane rate of climb or descent in

feet per minute. The pointer is actuated by atmospheric pressure changes resulting from changes of altitude as supplied by the static source.

## ALTIMETER

Airplane altitude is depicted by a barometric type altimeter. A knob near the lower left portion of the indicator provides adjustment of the instrument's barometric scale to the current altimeter setting.

## VACUUM SYSTEM AND INSTRUMENTS

An engine-driven vacuum system (see figure 7-9) is available and provides the suction necessary to operate the attitude indicator and directional indicator. The system consists of a vacuum pump mounted on the engine, a vacuum relief valve and vacuum system air filter on the aft side of the firewall below the instrument panel, and instruments (including a suction gage and a low-vacuum warning light) on the left side of the instrument panel.

## ATTITUDE INDICATOR

An attitude indicator is available and gives a visual indication of flight attitude. Bank attitude is presented by a pointer at the top of the indicator relative to the bank scale which has index marks at 10°, 20°, 30°, 60°, and 90° either side of the center mark. Pitch and roll attitudes are presented by a miniature airplane superimposed over a symbolic horizon area divided into two sections by a white horizon bar. The upper "blue sky" area and the lower "ground" area have arbitrary pitch reference lines useful for pitch attitude control. A knob at the bottom of the instrument is provided for inflight adjustment of the miniature airplane to the horizon bar for a more accurate flight attitude indication.

## DIRECTIONAL INDICATOR

A directional indicator is available and displays airplane heading on a compass card in relation to a fixed simulated airplane image and index. The directional indicator will precess slightly over a period of time. Therefore, the compass card should be set in accordance with the magnetic compass just prior to takeoff, and occasionally re-adjusted on extended flights. A knob on the lower left edge of the instrument is used to adjust the compass card to correct for any precession.

## SUCTION GAGE

A suction gage is located on the left side of the instrument panel when

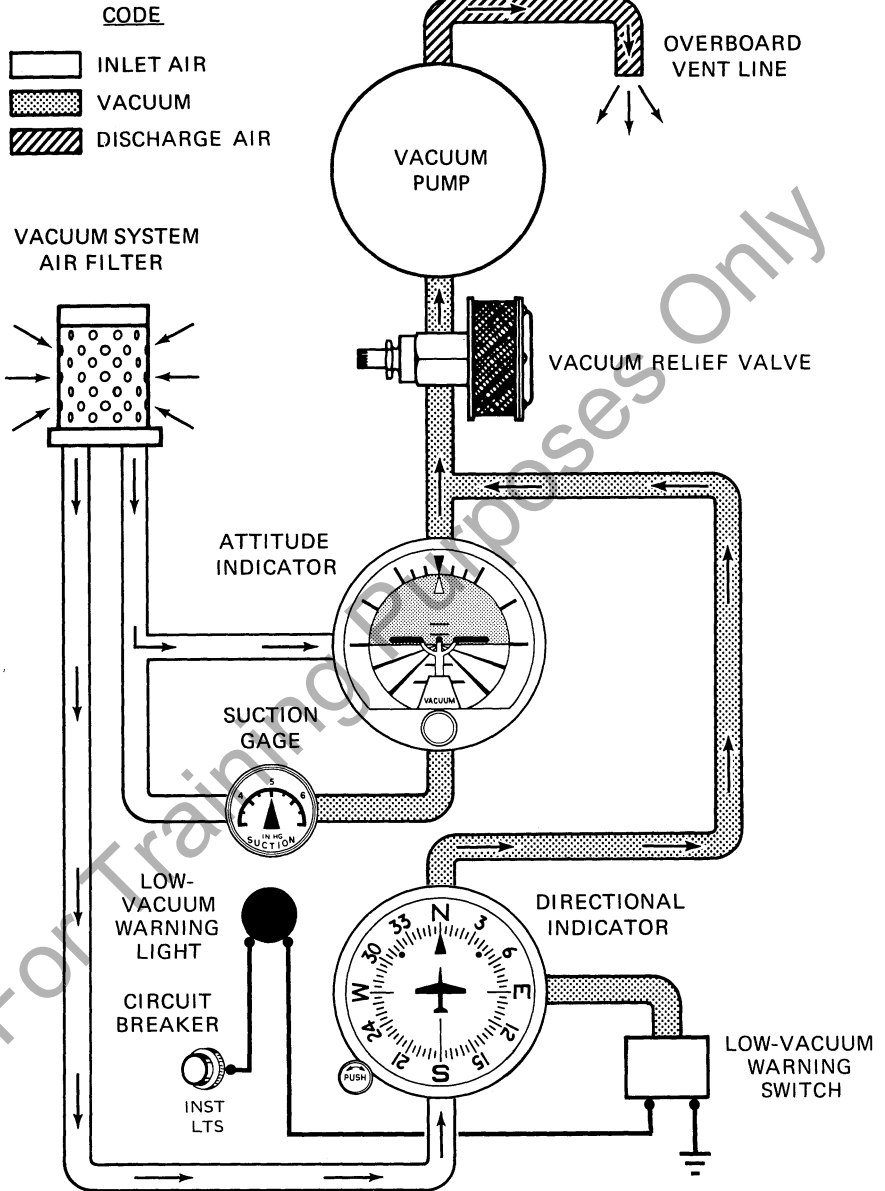


Figure 7-9. Vacuum System

the airplane is equipped with a vacuum system. Suction available for operation of the attitude indicator and directional indicator is shown by this gage, which is calibrated in inches of mercury. The desired suction range is 4.5 to 5.4 inches of mercury. A suction reading out of this range may indicate a system malfunction or improper adjustment, and in this case, the indicators should not be considered reliable.

## LOW-VACUUM WARNING LIGHT

A red low-vacuum warning light is installed on the instrument panel to warn the pilot of a possible low-vacuum condition existing in the vacuum system. Illumination of the light warns the pilot to check the suction gage and to be alert for possible erroneous vacuum-driven gyro instrument indications.

## OUTSIDE AIR TEMPERATURE (OAT) GAGE

An outside air temperature (OAT) gage is installed in the right wing root ventilator. The gage is calibrated in degrees Fahrenheit and Centigrade. For best indicator accuracy, air should be flowing through the ventilator across the probe.

## STALL WARNING SYSTEM

The airplane is equipped with a pneumatic-type stall warning system consisting of an inlet in the leading edge of the left wing, an air-operated horn near the upper left corner of the windshield, and associated plumbing. As the airplane approaches a stall, the low pressure on the upper surface of the wings moves forward around the leading edge of the wings. This low pressure creates a differential pressure in the stall warning system which draws air through the warning horn, resulting in an audible warning at 5 to 10 knots above stall in all flight conditions.

The stall warning system should be checked during the preflight inspection by placing a clean handkerchief over the vent opening and applying suction. A sound from the warning horn will confirm that the system is operative.

## AVIONICS SUPPORT EQUIPMENT

If the airplane is equipped with avionics, various avionics support



equipment may also be installed. Equipment available includes an avionics cooling fan, microphone-headset installations and control surface static dischargers. The following paragraphs discuss these items. Description and operation of radio equipment is covered in Section 9 of this handbook.

## AVIONICS COOLING FAN

An avionics cooling fan system is provided whenever a factory-installed Nav/Com radio is installed. The system is designed to provide internal cooling air from a small electric fan to the avionics units and thereby eliminate the possibility of moisture contamination using an external cooling air source.

Power to the electric fan is supplied directly from a "pull-off" type circuit breaker labeled STROBE, RADIO FAN, located on the right switch and control panel. Hence, power is supplied to the fan anytime the master switch is ON. This arrangement provides air circulation through the radios to remove a possible heat soak condition before the radios are turned on after engine start. It is recommended that the circuit breaker be left ON except during periods of lengthy maintenance with the master switch ON.

## MICROPHONE-HEADSET INSTALLATIONS

Three types of microphone-headset installations are offered. The standard system provided with avionics equipment includes a hand-held microphone and separate headset. The keying switch for this microphone is on the microphone. Two optional microphone-headset installations are also available; these feature a single-unit microphone-headset combination which permits the pilot or front passenger to conduct radio communications without interrupting other control operations to handle a hand-held microphone. One microphone-headset combination is a light weight type without a padded headset and the other version has a padded headset. The microphone-headset combinations utilize a remote keying switch located on the left grip of the pilot's control wheel and, if an optional intercom system is installed, a second switch on the right grip of the front passenger's control wheel. The microphone and headset jacks are located on the pedestal below the instrument panel. Audio to all three headsets is controlled by the individual audio selector switches and adjusted for volume level by using the selected receiver volume controls.

### NOTE

To ensure audibility and clarity when transmitting with the hand-held microphone, always hold it as closely as possible to the lips, then key the microphone and speak directly into it.

## STATIC DISCHARGERS

If frequent IFR flights are planned, installation of wick-type static dischargers is recommended (included with factory-installed avionics) to improve radio communications during flight through dust or various forms of precipitation (rain, snow or ice crystals). Under these conditions, the build-up and discharge of static electricity from the trailing edges of the wings, rudder, elevator, propeller tips, and radio antennas can result in loss of usable radio signals on all communications and navigation radio equipment. Usually the ADF is first to be affected and VHF communication equipment is the last to be affected.

Installation of static dischargers reduces interference from precipitation static, but it is possible to encounter severe precipitation static conditions which might cause the loss of radio signals, even with static dischargers installed. Whenever possible, avoid known severe precipitation areas to prevent loss of dependable radio signals. If avoidance is impractical, minimize airspeed and anticipate temporary loss of radio signals while in these areas.

Static dischargers lose their effectiveness with age, and therefore, should be checked periodically (at least at every annual inspection) by qualified avionics technicians, etc. If testing equipment is not available, it is recommended that the wicks be replaced every two years, especially if the airplane is operated frequently in IFR conditions.

## CABIN FEATURES

### CABIN FIRE EXTINGUISHER

A portable Dry Chemical (Sodium Bicarbonate) fire extinguisher is available for installation on the right cabin wall where it would be accessible in case of fire. The extinguisher has an Underwriters Laboratories classification of 5 B:C. If installed, the extinguisher should be checked prior to each flight to ensure that its bottle pressure, as indicated by the gage on the bottle, is within the green arc (approximately 100 psi) and the tamper tape which secures the carrying handle in the stowed position is intact.

To operate the fire extinguisher:

1. Loosen retaining clamp and remove extinguisher from bracket.
2. Lift carrying handle (breaking tamper tape), hold extinguisher upright, and press operating lever while directing the discharge at the base of the fire at the near edge. Progress toward the back of

the fire by moving the nozzle rapidly with a side-to-side sweeping motion.

### CAUTION

Care must be taken not to direct the initial discharge directly at the burning surface at close range (less than five feet) as this may cause splashing and/or scattering of the burning material.

3. Anticipate approximately eight seconds of discharge duration.

### WARNING

Ventilate the cabin promptly after successfully extinguishing the fire to reduce the gases produced by thermal decomposition.

Fire extinguishers should be recharged by a qualified fire extinguisher agency after each use. Such agencies are listed under "Fire Extinguisher" in the telephone directory. After recharging, secure the extinguisher to its mounting bracket; do not allow it to lie loose on shelves or seats.

For Training Purposes Only

# SECTION 8

## AIRPLANE HANDLING, SERVICE & MAINTENANCE

### TABLE OF CONTENTS

|  | Page |
|--|------|
| Introduction . . . . .                           | 8-3  |
| Identification Plate . . . . .                   | 8-3  |
| Owner Notification System . . . . .              | 8-3  |
| Publications . . . . .                           | 8-3  |
| Airplane File . . . . .                          | 8-4  |
| Airplane Inspection Periods . . . . .            | 8-5  |
| FAA Required Inspections . . . . .               | 8-5  |
| Cessna Progressive Care . . . . .                | 8-6  |
| Cessna Customer Care Program . . . . .           | 8-6  |
| Pilot Conducted Preventive Maintenance . . . . . | 8-7  |
| Alterations Or Repairs . . . . .                 | 8-7  |
| Ground Handling . . . . .                        | 8-7  |
| Towing . . . . .                                 | 8-7  |
| Parking . . . . .                                | 8-8  |
| Tie-Down . . . . .                               | 8-8  |
| Jacking . . . . .                                | 8-8  |
| Leveling . . . . .                               | 8-9  |
| Flyable Storage . . . . .                        | 8-9  |
| Servicing . . . . .                              | 8-10 |
| Oil . . . . .                                    | 8-10 |
| Fuel . . . . .                                   | 8-12 |
| Landing Gear . . . . .                           | 8-15 |
| Cleaning And Care . . . . .                      | 8-16 |
| Windshield-Windows . . . . .                     | 8-16 |
| Painted Surfaces . . . . .                       | 8-16 |
| Stabilizer Abrasion Boot Care . . . . .          | 8-17 |
| Propeller Care . . . . .                         | 8-17 |
| Engine Care . . . . .                            | 8-17 |
| Interior Care . . . . .                          | 8-18 |
| Bulb Replacment During Flight . . . . .          | 8-19 |

For Training Purposes Only

## INTRODUCTION

This section contains factory-recommended procedures for proper ground handling and routine care and servicing of your Cessna. It also identifies certain inspection and maintenance requirements which must be followed if your airplane is to retain that new-plane performance and dependability. It is wise to follow a planned schedule of lubrication and preventive maintenance based on climatic and flying conditions encountered in your locality.

Keep in touch with your Cessna Dealer and take advantage of his knowledge and experience. He knows your airplane and how to maintain it. He will remind you when lubrications and oil changes are necessary, and about other seasonal and periodic services.

## IDENTIFICATION PLATE

All correspondence regarding your airplane should include the SERIAL NUMBER. The Serial Number, Model Number, Production Certificate Number (PC) and Type Certificate Number (TC) can be found on the Identification Plate, located on the cabin floor below the left rear corner of the pilot's seat. The plate is accessible by sliding the seat forward and lifting the carpet in this area. Located adjacent to the Identification Plate is a Finish and Trim Plate which contains a code describing the interior color scheme and exterior paint combination of the airplane. The code may be used in conjunction with an applicable Parts Catalog if finish and trim information is needed.

## OWNER NOTIFICATION SYSTEM

As the owner of a Cessna, you will receive applicable Cessna Owner Advisories at no charge. These Owner Advisories will be mailed to owners of record. A subscription service for Service Information Letters is available directly from the Cessna Customer Services Department. Your Cessna Dealer will be glad to supply you with details concerning this subscription program, and stands ready, through his Service Department, to supply you with fast, efficient, low-cost service.

## PUBLICATIONS

Various publications and flight operation aids are furnished in the

airplane when delivered from the factory. These items are listed below.

- CUSTOMER CARE PROGRAM BOOK
- PILOT'S OPERATING HANDBOOK AND FAA APPROVED AIRPLANE FLIGHT MANUAL
- PILOT'S CHECKLISTS
- WORLDWIDE CUSTOMER CARE DIRECTORY

The following additional publications, plus many other supplies that are applicable to your airplane, are available from your Cessna Dealer.

- INFORMATION MANUAL (Contains Pilot's Operating Handbook Information)
- SERVICE MANUALS AND PARTS CATALOGS FOR YOUR:  
AIRPLANE  
ENGINE AND ACCESSORIES  
AVIONICS

Your Cessna Dealer has a Customer Care Supplies Catalog covering all available items, many of which he keeps on hand. He will be happy to place an order for any item which is not in stock.

**NOTE**

A Pilot's Operating Handbook and FAA Approved Airplane Flight Manual which is lost or destroyed may be replaced by contacting your Cessna Dealer. An affidavit containing the owner's name, airplane serial number and registration number must be included in replacement requests since the Pilot's Operating Handbook and FAA Approved Airplane Flight Manual is identified for specific airplanes only.

## AIRPLANE FILE

There are miscellaneous data, information and licenses that are a part of the airplane file. The following is a checklist for that file. In addition, a periodic check should be made of the latest Federal Aviation Regulations to ensure that all data requirements are met.



- A. To be displayed in the airplane at all times:
1. Aircraft Airworthiness Certificate (FAA Form 8100-2).
  2. Aircraft Registration Certificate (FAA Form 8050-3).
  3. Aircraft Radio Station License, if transmitter installed (FCC Form 556).
- B. To be carried in the airplane at all times:
1. Pilot's Operating Handbook and FAA Approved Airplane Flight Manual.
  2. Weight and Balance, and associated papers (latest copy of the Repair and Alteration Form, FAA Form 337, if applicable).
  3. Equipment List.
- C. To be made available upon request:
1. Airplane Log Book.
  2. Engine Log Book.

Most of the items listed are required by the United States Federal Aviation Regulations. Since the Regulations of other nations may require other documents and data, owners of airplanes not registered in the United States should check with their own aviation officials to determine their individual requirements.

Cessna recommends that these items, plus the Pilot's Checklists, Customer Care Program book and Customer Care Card, be carried in the airplane at all times.

## AIRPLANE INSPECTION PERIODS

### FAA REQUIRED INSPECTIONS

As required by Federal Aviation Regulations, all civil aircraft of U.S. registry must undergo a complete inspection (annual) each twelve calendar months. In addition to the required ANNUAL inspection, aircraft operated commercially (for hire) must have a complete inspection every 100 hours of operation.

The FAA may require other inspections by the issuance of airworthiness directives applicable to the airplane, engine, propeller and components. It is the responsibility of the owner/operator to ensure compliance with all applicable airworthiness directives and, when the inspections are repetitive, to take appropriate steps to prevent inadvertent noncompliance.

In lieu of the 100 HOUR and ANNUAL inspection requirements, an airplane may be inspected in accordance with a progressive inspection

schedule, which allows the work load to be divided into smaller operations that can be accomplished in shorter time periods.

The CESSNA PROGRESSIVE CARE PROGRAM has been developed to provide a modern progressive inspection schedule that satisfies the complete airplane inspection requirements of both the 100 HOUR and ANNUAL inspections as applicable to Cessna airplanes. The program assists the owner in his responsibility to comply with all FAA inspection requirements, while ensuring timely replacement of life-limited parts and adherence to factory-recommended inspection intervals and maintenance procedures.

## **CESSNA PROGRESSIVE CARE**

The Cessna Progressive Care Program has been designed to help you realize maximum utilization of your airplane at a minimum cost and downtime. Under this program, your airplane is inspected and maintained in four operations. The four operations are recycled each 200 hours and are recorded in a specially provided Aircraft Inspection Log as each operation is conducted.

The Cessna Aircraft Company recommends Progressive Care for airplanes that are being flown 200 hours or more per year, and the 100-hour inspection for all other airplanes. The procedures for the Progressive Care Program and the 100-hour inspection have been carefully worked out by the factory and are followed by the Cessna Dealer Organization. The complete familiarity of Cessna Dealers with Cessna equipment and factory-approved procedures provides the highest level of service possible at lower cost to Cessna owners.

Regardless of the inspection method selected by the owner, he should keep in mind that FAR Part 43 and FAR Part 91 establishes the requirement that properly certified agencies or personnel accomplish all required FAA inspections and most of the manufacturer recommended inspections.

## **CESSNA CUSTOMER CARE PROGRAM**

Specific benefits and provisions of the CESSNA WARRANTY plus other important benefits for you are contained in your CUSTOMER CARE PROGRAM book supplied with your airplane. You will want to thoroughly review your Customer Care Program book and keep it in your airplane at all times.

An initial inspection and either a Progressive Care Operation No. 1 or the first 100-hour inspection will be performed within the first 6 months of ownership at no charge to you. If you take delivery from your Dealer,

the initial inspection will have been performed before delivery of the airplane to you. If you pick up your airplane at the factory, plan to take it to your Dealer within 30 days after you take delivery, so the initial inspection may be performed allowing the Dealer to make any minor adjustments which may be necessary.

You will also want to return to your Dealer either for your first Progressive Care Operation, or at 100 hours for your first 100-hour inspection depending on which program you choose to establish for your airplane. While these important inspections will be performed for you by any Cessna Dealer, in most cases you will prefer to have the Dealer from whom you purchased the airplane accomplish this work.

## PILOT CONDUCTED PREVENTIVE MAINTENANCE

A certified pilot who owns or operates an airplane not used as an air carrier is authorized by FAR Part 43 to perform limited maintenance on his airplane. Refer to FAR Part 43 for a list of the specific maintenance operations which are allowed.

### NOTE

Pilots operating airplanes of other than U.S. registry should refer to the regulations of the country of certification for information on preventive maintenance that may be performed by pilots.

A Service Manual should be obtained prior to performing any preventive maintenance to ensure that proper procedures are followed. Your Cessna Dealer should be contacted for further information or for required maintenance which must be accomplished by appropriately licensed personnel.

## ALTERATIONS OR REPAIRS

It is essential that the FAA be contacted **prior to** any alterations on the airplane to ensure that airworthiness of the airplane is not violated. Alterations or repairs to the airplane must be accomplished by licensed personnel.

## GROUND HANDLING

### TOWING

The airplane is most easily and safely maneuvered by hand with the tow-bar attached to the nose wheel (the tow-bar is stowed on the floor in the baggage area). When towing with a vehicle, do not exceed the nose

gear turning angle of 30° either side of center, or damage to the gear will result.

### **CAUTION**

**Remove any installed rudder lock before towing.**

If the airplane is towed or pushed over a rough surface during hanging, watch that the normal cushioning action of the nose strut does not cause excessive vertical movement of the tail and the resulting contact with low hangar doors or structure. A flat nose tire or deflated strut will also increase tail height.

## **PARKING**

When parking the airplane, head into the wind and set the parking brakes. Do not set the parking brakes during cold weather when accumulated moisture may freeze the brakes, or when the brakes are overheated. Install the control wheel lock and chock the wheels. In severe weather and high wind conditions, tie the airplane down as outlined in the following paragraph.

## **TIE-DOWN**

Proper tie-down procedure is the best precaution against damage to the parked airplane by gusty or strong winds. To tie-down the airplane securely, proceed as follows:

1. Set the parking brake and install the control wheel lock.
2. Install a surface control lock between each aileron and flap.
3. Tie sufficiently strong ropes or chains (700 pounds tensile strength) to the wing and tail tie-down fittings and secure each rope to a ramp tie-down.
4. Install a surface control lock over the fin and rudder.
5. Tie a rope (no chains or cables) to an exposed portion of the engine mount and secure to a ramp tie-down.
6. Install a pitot tube cover.

## **JACKING**

When a requirement exists to jack the entire airplane off the ground, or when wing jack points are used in the jacking operation, refer to the Service Manual for specific procedures and equipment required.

Individual main gear may be jacked by using the jack pad which is incorporated in the main landing gear strut step bracket. When using the individual gear strut jack pad, flexibility of the gear strut will cause the main wheel to slide inboard as the wheel is raised, tilting the jack. The jack

must then be lowered for a second jacking operation. **Do not** jack both main wheels simultaneously using the individual main gear jack pads.

If nose gear maintenance is required, the nose wheel may be raised off the ground by pressing down on a tailcone bulkhead, just forward of the horizontal stabilizer, and allowing the tail to rest on the tail tie-down ring.

#### NOTE

Do not apply pressure on the elevator or outboard stabilizer surfaces. When pushing on the tailcone, always apply pressure at a bulkhead to avoid buckling the skin.

To assist in raising and holding the nose wheel off the ground, weight down the tail by placing sand-bags, or suitable weight, on each side of the horizontal stabilizer, next to the fuselage. If ground anchors are available, the tail should be securely tied down.

#### NOTE

Ensure that the nose will be held off the ground under all conditions by means of suitable stands or supports under weight supporting bulkheads near the nose of the airplane.

### LEVELING

Longitudinal leveling of the airplane is accomplished by placing a level on leveling screws located at stations 94.63 and 132.94 on the left side of the tailcone. Deflate the nose tire and/or lower or raise the nose strut to properly center the bubble in the level. Corresponding points on both upper door sills may be used to level the airplane laterally.

### FLYABLE STORAGE

Airplanes placed in non-operational storage for a maximum of 30 days or those which receive only intermittent operational use for the first 25 hours are considered in flyable storage status. Every seventh day during these periods, the propeller should be rotated by hand through five revolutions. This action "limbers" the oil and prevents any accumulation of corrosion on engine cylinder walls.

#### WARNING

For maximum safety, check that the ignition switch is OFF, the throttle is closed, the mixture control is in the idle cut-off position, and the airplane is secured before rotating the propeller by hand. Do not stand within the arc of the propeller blades while turning the propeller.

After 30 days, the airplane should be flown for 30 minutes or a ground

runup should be made just long enough to produce an oil temperature within the lower green arc range. Excessive ground runup should be avoided.

Engine runup also helps to eliminate excessive accumulations of water in the fuel system and other air spaces in the engine. Keep fuel tanks full to minimize condensation in the tanks. Keep the battery fully charged to prevent the electrolyte from freezing in cold weather. If the airplane is to be stored temporarily, or indefinitely, refer to the Service Manual for proper storage procedures.

## **SERVICING**

In addition to the PREFLIGHT INSPECTION covered in Section 4, COMPLETE servicing, inspection, and test requirements for your airplane are detailed in the Service Manual. The Service Manual outlines all items which require attention at specific intervals plus those items which require servicing, inspection, and/or testing at special intervals.

Since Cessna Dealers conduct all service, inspection, and test procedures in accordance with applicable Service Manuals, it is recommended that you contact your Cessna Dealer concerning these requirements and begin scheduling your airplane for service at the recommended intervals.

Cessna Progressive Care ensures that these requirements are accomplished at the required intervals to comply with the 100-hour or ANNUAL inspection as previously covered.

Depending on various flight operations, your local Government Aviation Agency may require additional service, inspections, or tests. For these regulatory requirements, owners should check with local aviation officials where the airplane is being operated.

For quick and ready reference, quantities, materials, and specifications for frequently used service items are as follows.

## **OIL**

### **OIL SPECIFICATION --**

**MIL-L-6082 Aviation Grade Straight Mineral Oil:** Used when the airplane was delivered from the factory and should be used to replenish the supply during the first 25 hours. This oil should be drained after the first 25 hours of operation. Refill the engine and continue to use until a total of 50 hours has accumulated or oil consumption has stabilized.

**MIL-L-22851 Aviation Grade Ashless Dispersant Oil:** Oil conforming to Avco Lycoming Service Instruction No. 1014, and all revisions and supplements thereto, **must be used** after first 50 hours or oil consumption has stabilized.

**RECOMMENDED VISCOSITY FOR TEMPERATURE RANGE --**

All temperatures, use multi-viscosity oil or

Above 16° C (60° F), use SAE 50

-1° C (30° F) to 32° C (90° F), use SAE 40

-18° C (0° F) to 21° C (70° F), use SAE 30

**NOTE**

When operating temperatures overlap, use the lighter grade of oil.

**CAPACITY OF ENGINE SUMP -- 6 Quarts.**

Do not operate on less than 4 quarts. To minimize loss of oil through breather, fill to 5 quart level for normal flights of less than 3 hours. For extended flight, fill to 6 quarts. These quantities refer to oil dipstick level readings. During oil and oil filter changes, one additional quart is required.

**OIL AND OIL FILTER CHANGE --**

After the first 25 hours of operation, drain the engine oil sump and replace the filter. Refill sump with straight mineral oil and use until a total of 50 hours has accumulated or oil consumption has stabilized; then change to ashless dispersant oil. Drain the engine oil sump and replace the oil filter again at the first 50 hours; thereafter, the oil and filter change may be extended to 100-hour intervals. Change engine oil and replace filter at least every 6 months even though less than the recommended hours have accumulated. Reduce intervals for prolonged operation in dusty areas, cold climates, or when short flights and long idle periods result in sludging conditions.

**NOTE**

During the first 25-hour oil and filter change, a general inspection of the overall engine compartment is required. Items which are not normally checked during a preflight inspection should be given special attention. Hoses, metal lines and fittings should be inspected for signs of oil and fuel leaks, and checked for abrasions, chafing, security, proper routing and support, and evidence of deterioration. Inspect the intake and exhaust systems for cracks, evidence of leakage, and security of attachment. Engine controls and linkages should be checked for freedom of

movement through their full range, security of attachment and evidence of wear. Inspect wiring for security, chafing, burning, defective insulation, loose or broken terminals, heat deterioration, and corroded terminals. Check the alternator belt in accordance with Service Manual instructions, and retighten if necessary. A periodic check of these items during subsequent servicing operations is recommended.

## FUEL

### APPROVED FUEL GRADES (AND COLORS):

100LL Grade Aviation Fuel (Blue).

100 (Formerly 100/130) Grade Aviation Fuel (Green).

#### NOTE

Isopropyl alcohol or ethylene glycol monomethyl ether may be added to the fuel supply in quantities not to exceed 1% or .15% by volume, respectively, of the total. Refer to Fuel Additives in later paragraphs for additional information.

CAPACITY EACH STANDARD TANK -- 13 Gallons.

CAPACITY EACH LONG RANGE TANK -- 19.5 Gallons.

#### NOTE

Due to cross-feeding between fuel tanks, the tanks should be re-topped after each refueling to assure maximum capacity.

#### NOTE

Service the fuel system after each flight, and keep fuel tanks full to minimize condensation in the tanks.

### FUEL ADDITIVES --

Strict adherence to recommended preflight draining instructions as called for in Section 4 will eliminate any free water accumulations from the tank sumps. While small amounts of water may still remain in solution in the gasoline, it will normally be consumed and go unnoticed in the operation of the engine.

One exception to this can be encountered when operating under the combined effect of: (1) use of certain fuels, with (2) high humidity conditions on the ground (3) followed by flight at high altitude and low



temperature. Under these unusual conditions, small amounts of water in solution can precipitate from the fuel stream and freeze in sufficient quantities to induce partial icing of the engine fuel system.

While these conditions are quite rare and will not normally pose a problem to owners and operators, they do exist in certain areas of the world and consequently must be dealt with, when encountered.

Therefore, to alleviate the possibility of fuel icing occurring under these unusual conditions, it is permissible to add isopropyl alcohol or ethylene glycol monomethyl ether (EGME) compound to the fuel supply.

The introduction of alcohol or EGME compound into the fuel provides two distinct effects: (1) it absorbs the dissolved water from the gasoline and (2) alcohol has a freezing temperature depressant effect.

Alcohol, if used, is to be blended with the fuel in a concentration of 1% by volume. Concentrations greater than 1% are not recommended since they can be detrimental to fuel tank materials.

The manner in which the alcohol is added to the fuel is significant because alcohol is most effective when it is completely dissolved in the fuel. To ensure proper mixing, the following is recommended:

1. For best results, the alcohol should be added during the fueling operation by pouring the alcohol directly on the fuel stream issuing from the fueling nozzle.
2. An alternate method that may be used is to premix the complete alcohol dosage with some fuel in a separate clean container (approximately 2-3 gallon capacity) and then transferring this mixture to the tank prior to the fuel operation.

Any high quality isopropyl alcohol may be used, such as Anti-Icing Fluid (MIL-F-5566) or Isopropyl Alcohol (Federal Specification TT-I-735a). Figure 8-1 provides alcohol-fuel mixing ratio information.

Ethylene glycol monomethyl ether (EGME) compound, in compliance with MIL-I-27686 or Phillips PFA-55MB, if used, must be carefully mixed with the fuel in concentrations not to exceed .15% by volume. Figure 8-1 provides EGME-fuel mixing ratio information.

#### CAUTION

Mixing of the EGME compound with the fuel is extremely

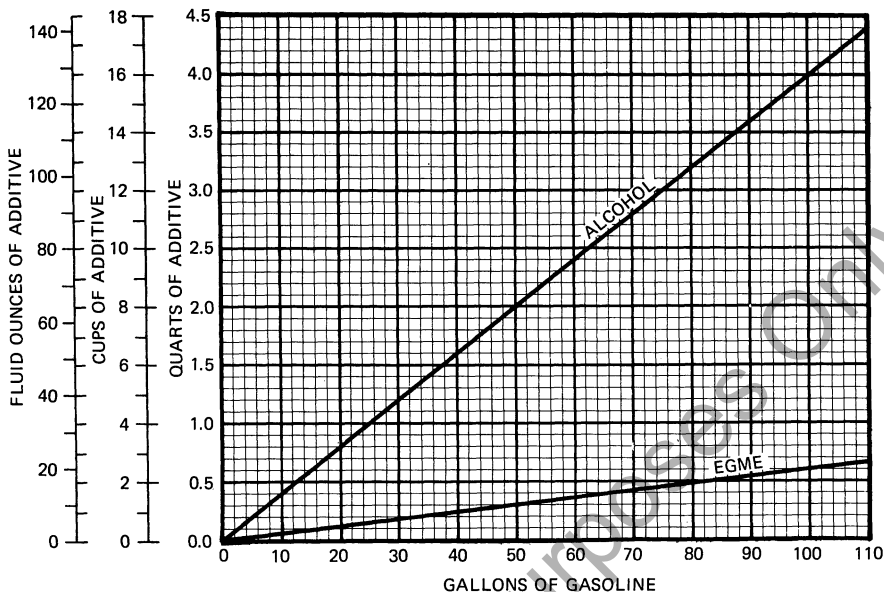


Figure 8-1. Additive Mixing Ratio

important because a concentration in excess of that recommended (.15% by volume maximum) will result in detrimental effects to the fuel tanks, such as deterioration of protective primer and sealants and damage to O-rings and seals in the fuel system and engine components. Use only blending equipment that is recommended by the manufacturer to obtain proper proportioning.

#### CAUTION

Do not allow the concentrated EGME compound to come in contact with the airplane finish or fuel cell as damage can result.

Prolonged storage of the airplane will result in a water buildup in the fuel which "leeches out" the additive. An indication of this is when an excessive amount of water accumulates in the fuel tank sumps. The concentration can be checked using a differential refractometer. It is imperative that the technical manual for the differential refractometer be followed explicitly when checking the additive concentration.

### FUEL CONTAMINATION --

Fuel contamination is usually the result of foreign material present in the fuel system, and may consist of water, rust, sand, dirt, microbes or bacterial growth. In addition, additives that are not compatible with fuel or fuel system components can cause the fuel to become contaminated.

Before the first flight of the day and after each refueling, use a clear sampler cup and drain at least a cupful of fuel from the fuel tank sump and fuel line quick-drain valves to determine if contaminants are present, and that the airplane has been fueled with the proper grade of fuel. Also, the fuel strainer should be drained by pulling out the strainer knob for at least four seconds. If contamination is detected, drain all fuel drain points again and then gently rock the wings and lower the tail to the ground to move any additional contaminants to the sampling points. Take repeated samples from all fuel drain points until all contamination has been removed. If, after repeated sampling, evidence of contamination still exists, the fuel tanks should be completely drained and the fuel system cleaned. If the airplane has been serviced with the improper fuel grade, defuel completely and refuel with the correct grade. Do not fly the airplane with contaminated or unapproved fuel.

In addition, Owners/Operators who are not acquainted with a particular fixed base operator should be assured that the fuel supply has been checked for contamination and is properly filtered before allowing the airplane to be serviced. Also, fuel tanks should be kept full between flights, provided weight and balance considerations will permit, to reduce the possibility of water condensing on the walls of partially filled tanks.

To further reduce the possibility of contaminated fuel, routine maintenance of the fuel system should be performed in accordance with the airplane Service Manual. Only the proper fuel, as recommended in this handbook, should be used, and fuel additives should not be used unless approved by Cessna and the Federal Aviation Administration.

### LANDING GEAR

NOSE WHEEL TIRE PRESSURE -- 30 PSI on 5.00-5, 4-Ply Rated Tire.  
MAIN WHEEL TIRE PRESSURE -- 29 PSI on 15x6.00-6, 4-Ply Rated Tires.  
21 PSI on 6.00-6, 4-Ply Rated Tires.

NOSE GEAR SHOCK STRUT --

Keep filled with MIL-H-5606 hydraulic fluid per filling instructions placard, and with no load on the strut, inflate with air to 20 PSI. Do not over-inflate.

BRAKES -- Service as required with MIL-H-5606 hydraulic fluid.

## CLEANING AND CARE

### WINDSHIELD-WINDOWS

The plastic windshield and windows should be cleaned with an aircraft windshield cleaner. Apply the cleaner sparingly with soft cloths, and rub with moderate pressure until all dirt, oil scum and bug stains are removed. Allow the cleaner to dry, then wipe it off with soft flannel cloths.

If a windshield cleaner is not available, the plastic can be cleaned with soft cloths moistened with Stoddard solvent to remove oil and grease.

#### NOTE

**Never use** gasoline, benzine, alcohol, acetone, fire extinguisher or anti-ice fluid, lacquer thinner or glass cleaner to clean the plastic. These materials will attack the plastic and may cause it to craze.

Follow by **carefully** washing with a mild detergent and plenty of water. Rinse thoroughly, then dry with a clean moist chamois. **Do not rub** the plastic with a dry cloth since this builds up an electrostatic charge which attracts dust. Waxing with a good commercial wax will finish the cleaning job. A thin, even coat of wax, polished out by hand with clean soft flannel cloths, will fill in minor scratches and help prevent further scratching.

**Do not use** a canvas cover on the windshield unless freezing rain or sleet is anticipated since the cover may scratch the plastic surface.

### PAINTED SURFACES

The painted exterior surfaces of your new Cessna have a durable, long lasting finish. Approximately 10 days are required for the paint to cure completely; in most cases, the curing period will have been completed prior to delivery of the airplane. In the event that polishing or buffing is required within the curing period, it is recommended that the work be done by someone experienced in handling uncured paint. Any Cessna Dealer can accomplish this work.

Generally, the painted surfaces can be kept bright by washing with water and mild soap, followed by a rinse with water and drying with cloths or a chamois. Harsh or abrasive soaps or detergents which cause corrosion or scratches should never be used. Remove stubborn oil and grease with a cloth moistened with Stoddard solvent.

To seal any minor surface chips or scratches and protect against corrosion, the airplane should be waxed regularly with a good automotive wax applied in accordance with the manufacturer's instructions. If the airplane is operated in a seacoast or other salt water environment, it must be washed and waxed more frequently to assure adequate protection. Special care should be taken to seal around rivet heads and skin laps, which are the areas most susceptible to corrosion. A heavier coating of wax on the leading edges of the wings and tail and on the cowl nose cap and propeller spinner will help reduce the abrasion encountered in these areas. Reapplication of wax will generally be necessary after cleaning with soap solution or after chemical de-icing operations.

When the airplane is parked outside in cold climates and it is necessary to remove ice before flight, care should be taken to protect the painted surfaces during ice removal with chemical liquids. Isopropyl alcohol will satisfactorily remove ice accumulations without damaging the paint. However, keep the isopropyl alcohol away from the windshield and cabin windows since it will attack the plastic and may cause it to craze.

### **STABILIZER ABRASION BOOT CARE**

If the airplane is equipped with stabilizer abrasion boots, keep them clean and free from oil and grease which can swell the rubber. Wash them with mild soap and water, using Form Tech AC cleaner or naphtha to remove stubborn grease. Do not scrub the boots, and be sure to wipe off all solvent before it dries. Boots with loosened edges or small tears should be repaired. Your Cessna Dealer has the proper materials and know-how to do this correctly.

### **PROPELLER CARE**

Preflight inspection of propeller blades for nicks, and wiping them occasionally with an oily cloth to clean off grass and bug stains will assure long blade life. Small nicks on the propeller, particularly near the tips and on the leading edges, should be dressed out as soon as possible since these nicks produce stress concentrations, and if ignored, may result in cracks. Never use an alkaline cleaner on the blades; remove grease and dirt with Stoddard solvent.

### **ENGINE CARE**

The engine may be cleaned, using a suitable solvent, in accordance with instructions in the airplane Service Manual. Most efficient cleaning is done using a spray-type cleaner. Before spray cleaning, ensure that protection is afforded for components which might be adversely affected by the solvent. Refer to the Service Manual for proper lubrication of controls and components after engine cleaning.

## **INTERIOR CARE**

To remove dust and loose dirt from the upholstery and carpet, clean the interior regularly with a vacuum cleaner.

Blot up any spilled liquid promptly with cleansing tissue or rags. Don't pat the spot; press the blotting material firmly and hold it for several seconds. Continue blotting until no more liquid is taken up. Scrape off sticky materials with a dull knife, then spot-clean the area.

Oily spots may be cleaned with household spot removers, used sparingly. Before using any solvent, read the instructions on the container and test it on an obscure place on the fabric to be cleaned. Never saturate the fabric with a volatile solvent; it may damage the padding and backing materials.

Soiled upholstery and carpet may be cleaned with foam-type detergent, used according to the manufacturer's instructions. To minimize wetting the fabric, keep the foam as dry as possible and remove it with a vacuum cleaner.

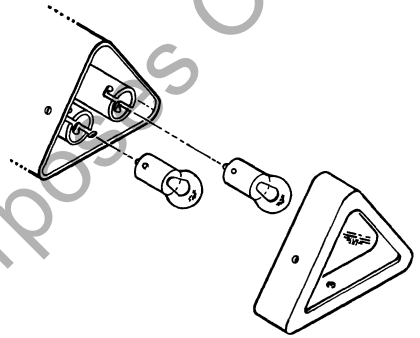
The plastic trim, headliner, instrument panel and control knobs need only be wiped off with a damp cloth. Oil and grease on the control wheel and control knobs can be removed with a cloth moistened with Stoddard solvent. Volatile solvents, such as mentioned in paragraphs on care of the windshield, must never be used since they soften and craze the plastic.

## BULB REPLACEMENT DURING FLIGHT

Figure 8-2 provides instructions to aid the pilot in the replacement of defective light bulbs during flight without tools. It is suggested that spare bulbs be stored in the map compartment. However, if a spare bulb is not available, an identical bulb which is found to be available from other lights listed herein can be substituted for the defective bulb. For a listing of other bulb requirements and specific tools needed, refer to the Service Manual for this airplane.

### DOORPOST MOUNTED MAP LIGHT

Remove lens retainer by pulling straight out from housing. To remove either bulb, push forward and turn counterclockwise as far as possible, then pull bulb straight out of socket. Replace with S2243-1 clear, or S2243-2 red bulb as required. To install new bulb in socket, align pins on bulb with slots in socket, then push forward and rotate bulb clockwise as far as possible. Push lens retainer straight on housing until dimples on retainer seat into holes in housing.



### POST LIGHTS

Grasp lens cap and pull straight out from socket. Pull bulb from cap and replace with MS25237-327 bulb. Replace cap in socket and rotate cap to direct light in desired direction.

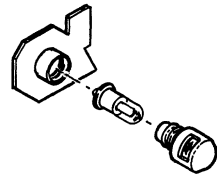


Figure 8-2. Bulb Replacement

For Training Purposes Only



# SECTION 9 SUPPLEMENTS

## (Optional Systems Description & Operating Procedures)

### TABLE OF CONTENTS

#### Introduction

##### General:

- 1 Digital Clock . . . . . (4 pages)
- 2 Ground Service Plug Receptacle . . . . . (4 pages)
- 3 Strobe Light System . . . . . (2 pages)
- 4 Winterization Kit . . . . . (2 pages)

##### Avionics:

- 30 Audio Control Panels . . . . . (8 pages)
- 35 Emergency Locator Transmitter (ELT) . . . . . (4 pages)
- 62 300 ADF (Type R-546E) . . . . . (6 pages)
- 63 300 Nav/Com (Type RT-385A) . . . . . (8 pages)
- 65 300 Transponder (Type RT-359A) And Optional  
Altitude Encoder (Blind) . . . . . (6 pages)
- 67 300 Transponder (Type RT-359A) And Optional  
Encoding Altimeter (Type EA-401A) . . . . . (6 pages)
- 74 400 Glide Slope (Type R-443B) . . . . . (4 pages)
- 77 400 Marker Beacon (Type R-402) . . . . . (4 pages)
- 83 400 Transponder (Type RT-459A) And Optional  
Altitude Encoder (Blind) . . . . . (6 pages)
- 86 400 Transponder (Type RT-459A) And Optional  
Encoding Altimeter (Type EA-401A) . . . . . (6 pages)

## INTRODUCTION

This section consists of a series of supplements, each covering a single optional system which may be installed in the airplane. Each supplement contains a brief description, and when applicable, operating limitations, emergency and normal procedures, and performance. As listed in the Table of Contents, the supplements are classified under the headings of General and Avionics, and have been provided with reference numbers. Also, the supplements are arranged alphabetically and numerically to make it easier to locate a particular supplement. Other routinely installed items of optional equipment, whose function and operational procedures do not require detailed instructions, are discussed in Section 7.

Limitations contained in the following supplements are FAA approved. Observance of these operating limitations is required by Federal Aviation Regulations.

# **SUPPLEMENT**

## **DIGITAL CLOCK**

### **SECTION 1**

#### **GENERAL**

The Astro Tech LC-2 Quartz Chronometer (see figure 1) is a precision, solid state time keeping device which will display to the pilot the time-of-day, the calendar date, and the elapsed time interval between a series of selected events, such as in-flight check points or legs of a cross-country flight, etc. These three modes of operation function independently and can be alternately selected for viewing on the four digit liquid crystal display (LCD) on the front face of the instrument. Three push button type switches directly below the display control all time keeping functions. These control functions are summarized in figures 2 and 3.

The digital display features an internal light (back light) to ensure good visibility under low cabin lighting conditions or at night. The intensity of the back light is controlled by the RADIO LT rheostat. In addition, the display incorporates a test function (see figure 1) which allows checking that all elements of the display are operating. To activate the test function, press the LH and RH buttons at the same time.

### **SECTION 2**

#### **LIMITATIONS**

There is no change to the airplane limitations when the digital clock is installed.

### **SECTION 3**

#### **EMERGENCY PROCEDURES**

There is no change to the airplane emergency procedures when the digital clock is installed.

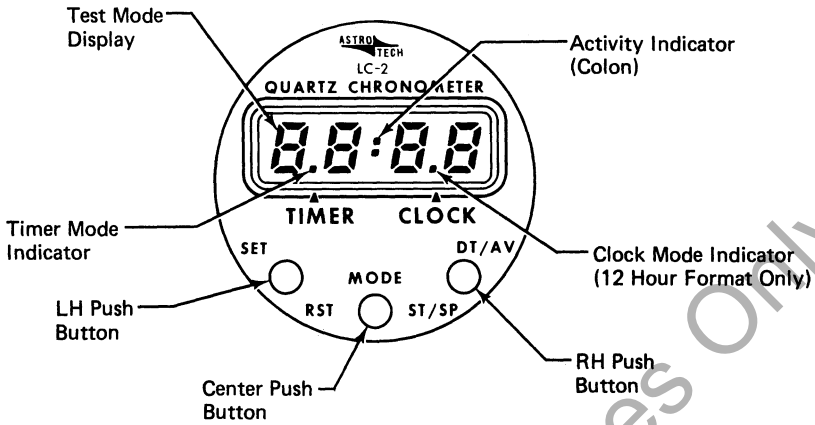


Figure 1. Digital Clock

## SECTION 4

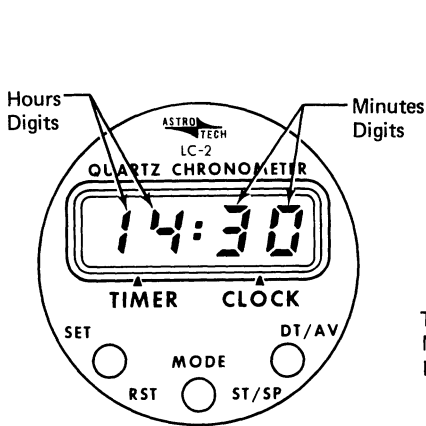
### NORMAL PROCEDURES

#### CLOCK AND DATE OPERATION

When operating in the clock mode (see figure 2), the display shows the time of day in hours and minutes while the activity indicator (colon) will blink off for one second each ten seconds to indicate proper functioning. If the RH push button is pressed momentarily, while in the clock mode, the calendar date appears numerically on the display with month of year to the left of the colon and day of the month shown to the right of the colon. The display automatically returns to the clock mode after approximately 1.5 seconds. However, if the RH button is pressed continuously longer than approximately two seconds, the display will return from the date to the clock mode with the activity indicator (colon) blinking altered to show continuously or be blanked completely from the display. Should this occur, simply press the RH button again for two seconds or longer, and correct colon blinking will be restored.

#### NOTE

The clock mode is set at the factory to operate in the 24-hour format. However, 12-hour format operation may be selected by changing the position of an internal slide switch accessible through a small hole on the bottom of the instrument case. Notice that in the 24-hour format, the clock mode indicator does not appear.

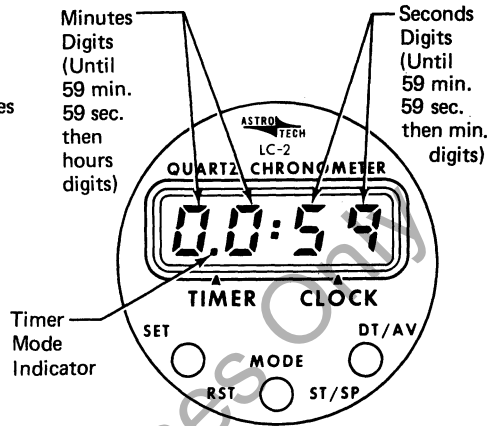


LH Button: Sets date and time of day (when used with RH button).

Center Button: Alternately displays clock or timer status

RH Button: Shows calendar date momentarily; display returns to clock mode after 1.5 seconds.

Figure 2. Clock Mode



LH Button: Resets timer to "zero".

Center Button: Alternately displays clock or timer status

RH Button: Alternately starts and stops timer; timer starts from any previously accumulated total.

Figure 3. Timer Mode

## SETTING CORRECT DATE AND TIME

The correct date and time are set while in the clock mode using the LH and RH push buttons as follows: press the LH button once to cause the date to appear with the month flashing. Press the RH button to cause the month to advance at one per second (holding button), or one per push until the correct month appears. Push the LH button again to cause the day of month to appear flashing, then advance as before using RH button until correct day of month appears.

Once set correctly, the date advances automatically at midnight each day. February 29 of each leap year is not programmed into the calendar mode, and the date will advance to March 1. This may be corrected the following day by resetting the mode back to March 1.

Pressing the LH button two additional times will cause the time to appear with the hours digits flashing. Using the RH button as before, advance the hour digits to the correct hour as referenced to a known time standard. Another push of the LH button will now cause the minutes digits to flash. Advance the minutes digits to the next whole minute to be reached by the time standard and "hold" the display by pressing the LH button once more. At the exact instant the time standard reaches the value "held" by the display, press the RH button to restart normal clock timing, which will now be synchronized to the time standard.

In some instances, however, it may not be necessary to advance the minutes digits of the clock; for example when changing time zones. In such a case, do not advance the minutes digits while they are flashing. Instead, press the LH button again, and the clock returns to the normal time keeping mode without altering the minutes timing.

#### TIMER OPERATION

The completely independent 24-hour elapsed timer (see figure 3) is operated as follows: press the center (MODE) push button until the timer mode indicator appears. Reset the display to "zero" by pressing the LH button. Begin timing an event by pressing the RH button. The timer will begin counting in minutes and seconds and the colon (activity indicator) will blink off for 1/10 second each second. When 59 minutes 59 seconds have accumulated, the timer changes to count in hours and minutes up to a maximum of 23 hours, 59 minutes. During the count in hours and minutes, the colon blinks off for one second each ten seconds. To stop timing the event, press the RH button once again and the time shown by the display is "frozen". Successive pushes of the RH button will alternately restart the count from the "held" total or stop the count at a new total. The hold status of the timer can be recognized by lack of colon activity, either continuously on or continuously off. The timer can be reset to "zero" at anytime using the LH button.

## SECTION 5 PERFORMANCE

There is no change to the airplane performance when the digital clock is installed.

# SUPPLEMENT

## GROUND SERVICE PLUG RECEPTACLE

### SECTION 1 GENERAL

The ground service plug receptacle permits the use of an external power source for cold weather starting and during lengthy maintenance work on the electrical and avionics equipment. The receptacle is located behind a door adjacent to the firewall on the left side of the upper cowl.

A special fused circuit is included with the ground service receptacle which will close the battery contactor when external power is applied with the master switch turned on. This circuit is intended as a servicing aid when battery power is too low to close the contactor, and should not be used to avoid performing proper maintenance procedures on a low battery.

#### NOTE

Use of the ground service plug receptacle for starting an airplane with a "dead" battery or charging a "dead" battery in the airplane is not recommended. The battery should be removed from the airplane and serviced in accordance with maintenance manual procedures. Failure to observe this precaution could result in loss of electrical power during flight.

## SECTION 2

### LIMITATIONS

The following information must be presented in the form of placards located on the ground service plug receptacle shield and inside of the ground service plug access door:

|  |                      |
|--|----------------------|
| <b>CAUTION</b><br>This aircraft is equipped with alternator and a negative ground system.<br><b>OBSERVE PROPER POLARITY</b><br>Reverse polarity will damage electrical components. | <b>24 VOLTS D.C.</b> |
|--|----------------------|

## SECTION 3

### EMERGENCY PROCEDURES

There is no change to the airplane emergency procedures when the ground service plug receptacle is installed.

## SECTION 4

### NORMAL PROCEDURES

Just before connecting an external power source (generator type or battery cart), the master switch should be turned ON.

#### WARNING

When turning on the master switch, using an external power source, or pulling the propeller through by hand, treat the propeller as if the ignition switch were ON. Do not stand, nor allow anyone else to stand within the arc of the propeller, since a loose or broken wire or a component malfunction could cause the propeller to rotate.



Turning on the master switch is especially important since it will enable the battery to absorb transient voltages which otherwise might damage the transistors in the avionics equipment.

The following check should be made after engine start and removal of the external power source, if there is any question as to the condition of the battery.

1. Master Switch -- OFF.
2. Taxi and Landing Light Switches -- ON.
3. Engine RPM -- REDUCE to idle.
4. Master Switch -- ON (with taxi and landing lights turned on).
5. Engine RPM -- INCREASE to approximately 1500 RPM.
6. Ammeter and Low-Voltage Warning Light -- CHECK.

#### NOTE

If the ammeter does not show a charge or the low-voltage warning light does not go out, the battery should be removed from the airplane and properly serviced prior to flight.

## SECTION 5 PERFORMANCE

There is no change to the airplane performance when the ground service plug receptacle is installed.

For Training Purposes Only

# SUPPLEMENT

## STROBE LIGHT SYSTEM

### SECTION 1 GENERAL

The high intensity strobe light system enhances anti-collision protection for the airplane. The system consists of two wing tip-mounted strobe lights (with integral power supplies), a two-position rocker switch labeled STROBE LIGHTS on the left switch and control panel, and a 5-amp "pull-off" type circuit breaker, labeled STROBE/RADIO FAN, on the right switch and control panel.

### SECTION 2 LIMITATIONS

Strobe lights must be turned off when taxiing in the vicinity of other airplanes, or during night flight through clouds, fog or haze.

### SECTION 3 EMERGENCY PROCEDURES

There is no change to the airplane emergency procedures when strobe lights are installed.

## **SECTION 4 NORMAL PROCEDURES**

To operate the strobe light system, proceed as follows:

1. Master Switch -- ON.
2. Strobe Light Switch -- ON.

## **SECTION 5 PERFORMANCE**

The installation of strobe lights will result in a minor reduction in cruise performance.

For Training Purposes Only

# SUPPLEMENT

## WINTERIZATION KIT

### SECTION 1 GENERAL

The winterization kit consists of cover plates to partially cover the cowl nose cap opening and oil cooler, three placards to be installed on the cover plates, insulation for the engine crankcase breather line, and a placard to be installed on the map compartment door. This equipment should be installed for operations in temperatures consistently below 20°F (-7°C). Once installed, the crankcase breather insulation is approved for permanent use, regardless of temperature.

### SECTION 2 LIMITATIONS

The following information must be presented in the form of placards when the airplane is equipped with a winterization kit.

1. On each cover plate:

REMOVE WHEN  
OAT EXCEEDS 20°F

2. On the map compartment door in the cabin:

WINTERIZATION KIT MUST BE REMOVED  
WHEN OUTSIDE AIR TEMPERATURE IS  
ABOVE 20°F.

### **SECTION 3**

## **EMERGENCY PROCEDURES**

There is no change to the airplane emergency procedures when the winterization kit is installed.

### **SECTION 4**

## **NORMAL PROCEDURES**

There is no change to the airplane normal procedures when the winterization kit is installed.

### **SECTION 5**

## **PERFORMANCE**

There is no change to the airplane performance when the winterization kit is installed.

# SUPPLEMENT

## AUDIO CONTROL PANELS

### SECTION 1

### GENERAL

Two types of audio control panels (see figure 1) are available for this airplane. One type of control panel is installed without an intercom system or 400 marker beacon system and the other type control panel is installed anytime an intercom option or 400 marker beacon option is installed. The operational features of both audio control panels are similar and are discussed in the following paragraphs.

#### TRANSMITTER SELECTOR SWITCH

When the avionics package includes two transmitters, a two-position toggle-type switch, labeled TRANS SELECT or XMTR (depending upon which audio control panel is installed, see figure 1), is provided to switch the microphone to the transmitter the pilot desires to use.

The action of selecting a particular transmitter using the transmitter selector switch simultaneously selects the audio amplifier associated with that transmitter to provide speaker audio. For example, if the number one transmitter is selected, the audio amplifier in the number one NAV/COM is also selected and is used for ALL speaker audio. Headset audio is not affected by audio amplifier operation.

#### AUDIO SELECTOR SWITCHES

Both audio control panels (see figure 1) incorporate three-position toggle-type audio selector switches for individual control of the audio systems installed in the airplane. These switches allow receiver audio to be directed to the airplane speaker or to a headset, and heard singly or in combination with other receivers. To hear a particular receiver on the airplane speaker, place that receiver's audio selector switch in the up (SPEAKER) position. To listen to a receiver over the headset, place that receiver's audio selector switch in the down (PHONE) position. The center (OFF) position turns off all audio from the associated receiver.

#### NOTE

Volume level is adjusted using the individual receiver volume controls on each radio.

When the audio control panel used without marker beacon or intercom is installed, audio from both NAV and COM frequencies is combined, and is selected by the audio selector switches labeled NAV/COM, 1 and 2.

A special feature of the audio control panel used with marker beacon, or intercom, is separate control of NAV and COM audio from the NAV/-COM radios. With this installation, the audio selector switches labeled NAV, 1 and 2 select audio only from the navigation receivers of the NAV/COM radios. Communication receiver audio is selected by the switches labeled COM, AUTO and BOTH. Description and operation of these switches is described in figure 1.

#### COM AUTO AUDIO SELECTOR SWITCH

If the audio control panel incorporates marker beacon controls or intercom, a three-position toggle switch, labeled COM AUTO, is provided to automatically match the audio of the appropriate communications receiver to the radio selected by the transmitter selector switch.

#### COM BOTH AUDIO SELECTOR SWITCH

If the audio control panel incorporates marker beacon controls or intercom, a three-position toggle switch, labeled COM BOTH, is provided to allow both COM receivers to be monitored at the same time.

#### ANNUNCIATOR LIGHTS BRIGHTNESS AND TEST SWITCH

When a marker beacon receiver is installed, the audio control panel includes a three-position toggle-type switch to control the brightness level of the marker beacon indicator lights when placed in either NITE, or DAY position and a TEST position to verify marker beacon indicator light operation.

#### NOTE

A potentiometer is installed inside the audio control panel to provide further minimum light dimming capabilities. Refer to the appropriate Avionics Service/Parts manual for adjustment procedure.

#### SIDETONE OPERATION

Cessna radios are equipped with sidetone capability (monitoring of the operator's own voice transmission). While adjusting sidetone on either audio control panel, be aware that if the speaker sidetone volume level is set too high, audio feedback (squeal) may result when transmitting.



On airplanes not equipped with marker beacon receivers or intercom, a control for speaker sidetone volume only is provided on the audio control panel. To adjust the level of the sidetone heard on the speaker, rotate the knob, labeled SIDETONE VOL, clockwise to increase volume or counterclockwise to decrease it. Sidetone provided through the headset is not adjustable by the pilot on audio control panels without marker beacon.

On the audio control panel incorporating marker beacon controls or intercom, sidetone is provided in both the speaker and headset anytime the COM AUTO selector switch is utilized. Placing the COM AUTO selector switch in the OFF position will eliminate sidetone. Sidetone internal adjustments are available to the pilot through the front of the audio control panel (see figure 1). Adjustment can be made by removing the appropriate plug-button from the audio control panel (left button for headset adjustment and right button for speaker adjustment), inserting a small screwdriver into the adjustment potentiometer and rotating it clockwise to increase the sidetone volume level.

#### OPTIONAL INTERCOM SYSTEM

The optional intercom system is a pilot and copilot intercom phone system which is only offered with the marker beacon type audio control panel. The system incorporates its own audio amplifier with a volume control (labeled INT) and a "hot mike" feature.

The intercom system is used with the headphones only and plug-ins for the two sets of auxiliary phone and mike jacks are located on the pedestal below the instrument panel. They are both labeled HEADSET.

The "hot mike" feature allows the pilot and copilot to communicate at anytime through their microphone/headsets without having to key the mike. However, they must key the mike button on their control wheel to transmit over the aircraft's transceiver. Sidetone is present on the intercom system when the COM AUTO switch is in the PHONE position.

#### NOTE

Some ambient noise attenuating type padded headset and boom mike combinations may not be compatible with this system.

The intercom audio volume is controlled by the INT knob located on the front of the audio control panel. Clockwise rotation of the knob increases the volume of the intercom audio and counterclockwise rotation decreases it. The INT knob controls the audio volume for the intercom system only. Receiver audio volume is adjusted using the individual receiver volume

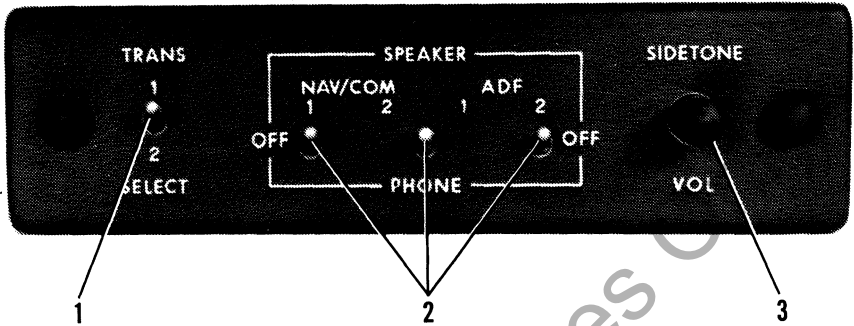
controls. When the intercom system is not being used, the INT volume control should be turned full counterclockwise to eliminate any noise over the headphones.

NOTE

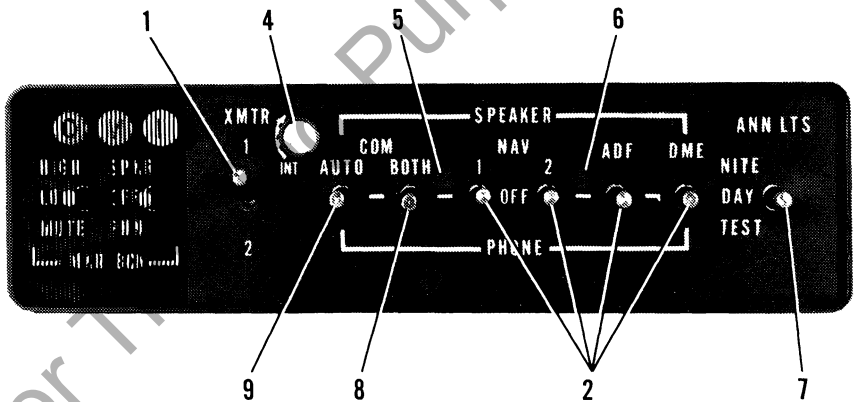
When the intercom volume is turned up and an auxiliary mike is plugged in, there will be a loud squeal over the speaker if the COM BOTH and COM AUTO switches are inadvertently placed in the opposite positions (one in the SPEAKER position and the other in the PHONE position). To eliminate this squeal turn the volume down or place both switches in the same position.

When the optional intercom system is not installed, a plug button will be installed in place of the INT volume control knob.

USED WITHOUT MARKER BEACON OR INTERCOM



USED WITH MARKER BEACON OR INTERCOM



1. TRANSMITTER SELECTOR SWITCH (TRANS SELECT or XMTR) - A two-position toggle switch used to activate the audio amplifier and switch the microphone to the desired transmitter. The numbers 1 (up position) and 2 (down position) corresponds to the first and second (from top to bottom) transmitters, respectively.

Figure 1. Audio Control Panel Operating Controls  
(Sheet 1 of 2)

2. **AUDIO SELECTOR SWITCHES** - Three-position selector switches used to select either **SPEAKER** or **PHONE** operation for audio outputs. Enables the operator to select any one or more, audio signals on either **SPEAKER** or **PHONE** at the same time or to silence audio when placed in the off position.
3. **SPEAKER SIDETONE VOLUME CONTROL (SIDETONE VOL)** - Controls speaker sidetone audio volume. Rotate knob clockwise to increase sidetone audio volume or counterclockwise to decrease it.
4. **INTERCOM VOLUME CONTROL (INT)** - Controls the intercom audio volume. Clockwise rotation of the knob increases the intercom audio volume and counterclockwise rotation decreases it.
5. **HEADSET SIDETONE INTERNAL ADJUSTMENT ACCESS** - To adjust headset sidetone, remove the plug button, place **COM AUTO** selector switch in the **PHONE** position, insert a small screwdriver into the adjustment potentiometer and rotate it clockwise to increase the sidetone volume or counterclockwise to decrease sidetone.
6. **SPEAKER SIDETONE INTERNAL ADJUSTMENT ACCESS** - To adjust speaker sidetone, remove the plug button, place **COM AUTO** selector switch in the **SPEAKER** position, insert a small screwdriver into the adjustment potentiometer and rotate it clockwise to increase the sidetone volume or counterclockwise to decrease sidetone. While adjusting sidetone, be aware that if the sidetone volume level is set too high, audio feedback (squeal) may result when transmitting.
7. **ANNUNCIATOR LIGHTS BRIGHTNESS SELECTOR AND TEST SWITCH (ANN LTS-NITE/DAY/TEST)** - Three-position toggle switch; in the up (**NITE**) position, annunciator lights (**Mkr Bcn** and **ARC**) will show at a reduced light level for typical night operations. In the center (**DAY**) position, marker beacon and **ARC** annunciator lights will show full bright. In the down (**TEST**) position, marker beacon and **ARC** annunciator lights will show full bright to verify lamp operation. In the **NITE** position, marker beacon and **ARC** annunciator light levels can be further adjusted down to a preset minimum using the **RADIO LT** dimming rheostat knob.
8. **COM BOTH AUDIO SELECTOR SWITCH (COM BOTH)** - A three-position toggle switch used to allow both **COM** receivers to be monitored at the same time. Placing the **COM BOTH** switch in the up (**SPEAKER**) position will enable the pilot to monitor both the number 1 and number 2 **COM** receivers over the **SPEAKER** at the same time. Placing the switch in the down (**PHONE**) position allows the pilot to monitor both the number 1 and number 2 **COM** receivers through the headset at the same time. Center (**OFF**) position, removes the non-selected **COM** receiver (or both **COM** receivers if **COM AUTO** switch is **OFF**) from the audio system.
9. **COM AUTO AUDIO SELECTOR SWITCH (COM AUTO)** - A three-position toggle switch provided to automatically match the audio of the appropriate communications receiver to the transmitter selected by the transmitter selector switch. In the up (**SPEAKER**) position, audio from the selected receiver will be heard on the airplane speaker. In the down (**PHONE**) position, audio from the selected receiver will be heard through the headset. Center (**OFF**) position, removes the automatic **SPEAKER/PHONE** selection feature and will also disable the sidetone feature.

Figure 1. Audio Control Panel Operating Controls  
(Sheet 2 of 2)

## SECTION 2 LIMITATIONS

There is no change to the airplane limitations when either of these audio control panels is installed.

## SECTION 3 EMERGENCY PROCEDURES

In the event the audio amplifier in use fails, as evidenced by loss of all speaker audio, selecting the other transmitter will reestablish speaker audio using the other transmitter audio amplifier.

## SECTION 4 NORMAL PROCEDURES

### AUDIO CONTROL PANEL OPERATIONS:

1. Transmitter Selector (TRANS SELECT or XMTR) Switch -- SELECT desired transmitter for transceiver operation.
2. COM AUTO Selector Switch -- SELECT SPEAKER or PHONE position to automatically select SPEAKER or PHONE audio.
3. COM BOTH Selector Switch -- SELECT the same SPEAKER or PHONE position which was set on the COM AUTO selector switch to allow both COM receivers to be monitored at the same time.

### NOTE

The combination of placing the COM AUTO switch in the SPEAKER position and the COM BOTH switch in the PHONE position (or vice versa) is not normally recommended as it will cause audio from both communications receivers (and any other navigation receiver with its audio selector switch in the PHONE position) to be heard on both the airplane speaker and the headset simultaneously.

4. Audio **SPEAKER/PHONE** Selector Switches -- **SELECT** desired **SPEAKER, PHONE**, or silent (**OFF**) audio position.
5. **SIDETONE VOL** Control -- **ROTATE** to set desired sidetone volume over airplane's speaker while speaking directly into the microphone.

#### NOTE

If the sidetone volume level is set too high, audio feedback (squeal) may result when transmitting.

6. **INT** Control Knob -- **ROTATE** as desired to increase or decrease intercom audio volume.
7. **ANN LTS** Switch:
  - a. **TEST** Position -- **SELECT** to verify operation of marker beacon and ARC annunciator lights.
  - b. **DAY** Position -- **SELECT** for typical daytime lighting.
  - c. **NITE** Position -- **SELECT** for typical night lighting.

#### NOTE

In the **NITE** position, further lighting adjustments for the marker beacon annunciator lights can be obtained using the **RADIO LT** dimming rheostat knob.

## SECTION 5 PERFORMANCE

There is no change to the airplane performance when either of these audio control panels is installed.

# SUPPLEMENT

## EMERGENCY LOCATOR TRANSMITTER (ELT)

### SECTION 1 GENERAL

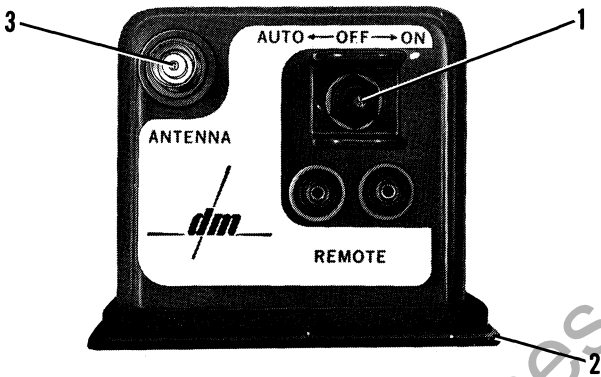
The ELT consists of a self-contained dual-frequency radio transmitter and battery power supply, and is activated by an impact of 5g or more as may be experienced in a crash landing. The ELT emits an omni-directional signal on the international distress frequencies of 121.5 and 243.0 MHz. General aviation and commercial aircraft, the FAA, and CAP monitor 121.5 MHz, and 243.0 MHz is monitored by the military. Following a crash landing, the ELT will provide line-of-sight transmission up to 100 miles at 10,000 feet. The ELT transmits on both distress frequencies simultaneously at 75 mw rated power output for 48 continuous hours in the temperature range of -4°F to +131°F (-20°C to +55°C).

The ELT is readily identified as a bright orange unit mounted behind the baggage compartment wall in the tailcone. To gain access to the unit, remove the baggage compartment wall. The ELT is operated by a control panel at the forward facing end of the unit (see figure 1).

### SECTION 2 LIMITATIONS

The following information must be presented in the form of a placard located on the baggage compartment wall.

|   |
|---|
| <p>EMERGENCY LOCATOR TRANSMITTER<br/>INSTALLED BEHIND THIS COVER.<br/>MUST BE SERVICED IN ACCORDANCE<br/>WITH FAR 91.52</p> |
|---|



1. FUNCTION SELECTOR SWITCH (3-position toggle switch):
  - AUTO - Activates transmitter only when "g" switch receives 5g or more impact.
  - OFF - Deactivates transmitter. Used during shipping, storage and following rescue.
  - ON - Activates transmitter instantly. Used for test purposes and if "g" switch is inoperative.
2. COVER - Removable for access to battery pack.
3. ANTENNA RECEPTACLE - Connects to antenna mounted on top of tailcone.

Figure 1. ELT Control Panel

## SECTION 3

### EMERGENCY PROCEDURES

Immediately after a forced landing where emergency assistance is required, the ELT should be utilized as follows.

1. ENSURE ELT ACTIVATION --Turn a radio transceiver ON and select 121.5 MHz. If the ELT can be heard transmitting, it was activated by the "g" switch and is functioning properly. If no emergency tone is audible, gain access to the ELT and place the function selector switch in the ON position.



2. PRIOR TO SIGHTING RESCUE AIRCRAFT -- Conserve airplane battery. Do not activate radio transceiver.
3. AFTER SIGHTING RESCUE AIRCRAFT -- Place ELT function selector switch in the OFF position, preventing radio interference. Attempt contact with rescue aircraft with the radio transceiver set to a frequency of 121.5 MHz. If no contact is established, return the function selector switch to ON immediately.
4. FOLLOWING RESCUE -- Place ELT function selector switch in the OFF position, terminating emergency transmissions.

## SECTION 4 NORMAL PROCEDURES

As long as the function selector switch remains in the AUTO position, the ELT automatically activates following an impact of 5g or more over a short period of time.

Following a lightning strike, or an exceptionally hard landing, the ELT may activate although no emergency exists. To check your ELT for inadvertent activation, select 121.5 MHz on your radio transceiver and listen for an emergency tone transmission. If the ELT can be heard transmitting, place the function selector switch in the OFF position and the tone should cease. Immediately place the function selector switch in the AUTO position to re-set the ELT for normal operation.

## SECTION 5 PERFORMANCE

There is no change to the airplane performance data when this equipment is installed.

For Training Purposes Only

# **SUPPLEMENT**

## **CESSNA 300 ADF**

### **(Type R-546E)**

#### **SECTION 1**

#### **GENERAL**

The Cessna 300 ADF is a panel-mounted, digitally tuned automatic direction finder. It is designed to provide continuous 1 kHz digital tuning in the frequency range of 200 kHz to 1,699 kHz and eliminates the need for mechanical band switching. The system is comprised of a receiver, a bearing indicator, a loop antenna, and a sense antenna. Operating controls and displays for the Cessna 300 ADF are shown and described in Figure 1. The audio systems used in conjunction with this radio for speaker-phone selection are shown and described in another supplement in this section.

The Cessna 300 ADF can be used for position plotting and homing procedures, and for aural reception of amplitude-modulated (AM) signals.

With the function selector knob at ADF, the Cessna 300 ADF provides a visual indication, on the bearing indicator, of the bearing to the transmitting station relative to the nose of the airplane. This is done by combining signals from the sense antenna with signals from the loop antenna.

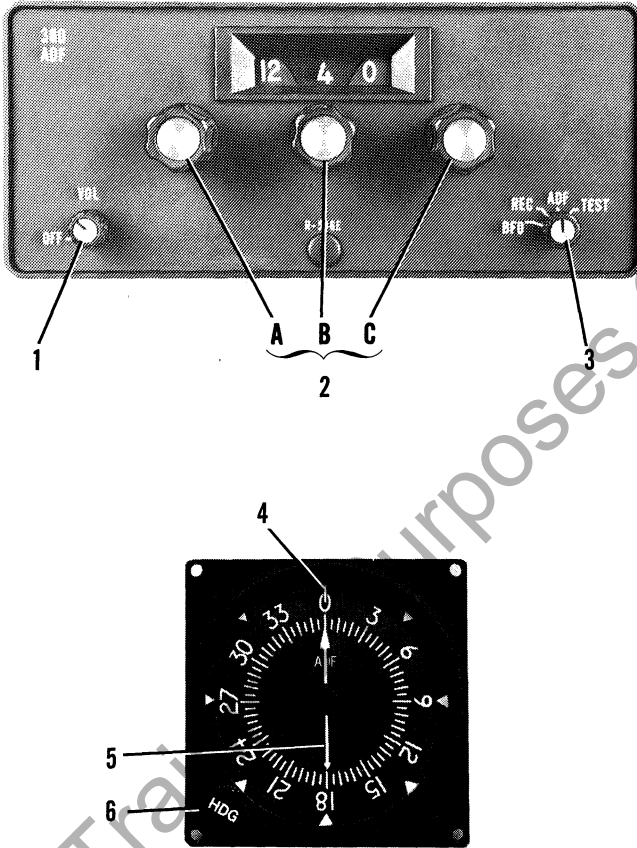
With the function selector knob at REC, the Cessna 300 ADF uses only the sense antenna and operates as a conventional low-frequency receiver.

The Cessna 300 ADF is designed to receive transmission from the following radio facilities: commercial AM broadcast stations, low-frequency range stations, non-directional radio beacons, ILS compass locators.

#### **SECTION 2**

#### **LIMITATIONS**

There is no change to the airplane limitations when this avionic equipment is installed.



1. **OFF/VOL CONTROL** - Controls primary power and audio output level. Clockwise rotation from OFF position applies primary power to receiver; further clockwise rotation increases audio level.
2. **FREQUENCY SELECTORS** - Knob (A) selects 100-kHz increments of receiver frequency, knob (B) selects 10-kHz increments, and knob (C) selects 1 kHz increments.

Figure 1. Cessna 300 ADF Operating Controls and Indicators (Sheet 1 of 2)

3. FUNCTION SWITCH:

**BFO:** Selects operation as communication receiver using only sense antenna and activates 1000-Hz tone beat frequency oscillator to permit coded identifier of stations transmitting keyed CW signals (Morse Code) to be heard.

**NOTE**

CW signals are unmodulated and no audio will be heard without use of BFO. This type of signal is not used in United States air navigation. It is used in some foreign countries and marine beacons.

**REC:** Pushed in: Selects receive mode. ADF function is disabled. Audio quality is improved and noise reduced.

**ADF:** Set operates as automatic direction finder using loop and sense antennas.

**TEST:** Momentary-on position used during ADF operation to test bearing reliability. When held in TEST position, slews indicator pointer clockwise; when released, if bearing is reliable, pointer returns to original bearing position.

4. INDEX (ROTATABLE CARD) - Indicates magnetic or true heading of aircraft, as selected by HDG control or may be set to 0° for relative bearing determinations.
5. POINTER - Indicates station bearing in degrees of azimuth, relative to the nose of the aircraft. When heading control is adjusted, indicates magnetic or true bearing of radio signal.
6. HEADING CARD CONTROL (HDG) - Rotates card to set in relative, magnetic, or true bearing references.

Figure 1. Cessna 300 ADF Operating Controls and Indicators (Sheet 2 of 2)

## SECTION 3

### EMERGENCY PROCEDURES

There is no change to the airplane emergency procedures when this avionics equipment is installed.

## SECTION 4

### NORMAL PROCEDURES

#### TO OPERATE AS A COMMUNICATIONS RECEIVER ONLY:

1. OFF/VOL Control -- ON.
2. Frequency Selector Knobs -- SELECT operating frequency.
3. ADF SPEAKER/PHONE Selector Switch (on audio control panel) -- SELECT speaker or phone position as desired.
4. VOL Control -- ADJUST to desired listening level.
5. Function Selector Knob -- REC.

#### TO OPERATE AS AN AUTOMATIC DIRECTION FINDER:

1. OFF/VOL Control -- ON.
2. Frequency Selector Knobs -- SELECT operating frequency.
3. ADF SPEAKER/PHONE Selector Switch (on audio control panel) -- SELECT AS DESIRED.
4. VOL Control -- ADJUST as required to identify station.
5. Function Selector Knob -- ADF position and note relative bearing on indicator.

#### TO TEST RELIABILITY OF AUTOMATIC DIRECTION FINDER:

1. Function Selector Knob -- ADF position and note relative bearing on indicator.
2. Function Selector Knob -- TEST position and observe that pointer moves away from relative bearing at least 10 to 20 degrees.
3. Function Selector Knob -- ADF position and observe that pointer returns to same relative bearing as in step (1).

TO OPERATE BFO:

1. OFF/VOL Control -- ON.
2. Function Selector Knob -- BFO.
3. Frequency Selector Knobs -- SELECT operating frequency.
4. ADF SPEAKER/PHONE Selector Switch (on audio control panel)  
-- SELECT speaker or phone position.
5. VOL Control -- ADJUST to desired listening level.

## SECTION 5 PERFORMANCE

There is no change to the airplane performance when this avionic equipment is installed. However, the installation of an externally mounted antenna or related external antennas, will result in a minor reduction in cruise performance.

For Training Purposes Only



## SUPPLEMENT

# CESSNA 300 NAV/COM (720-Channel - Type RT-385A)

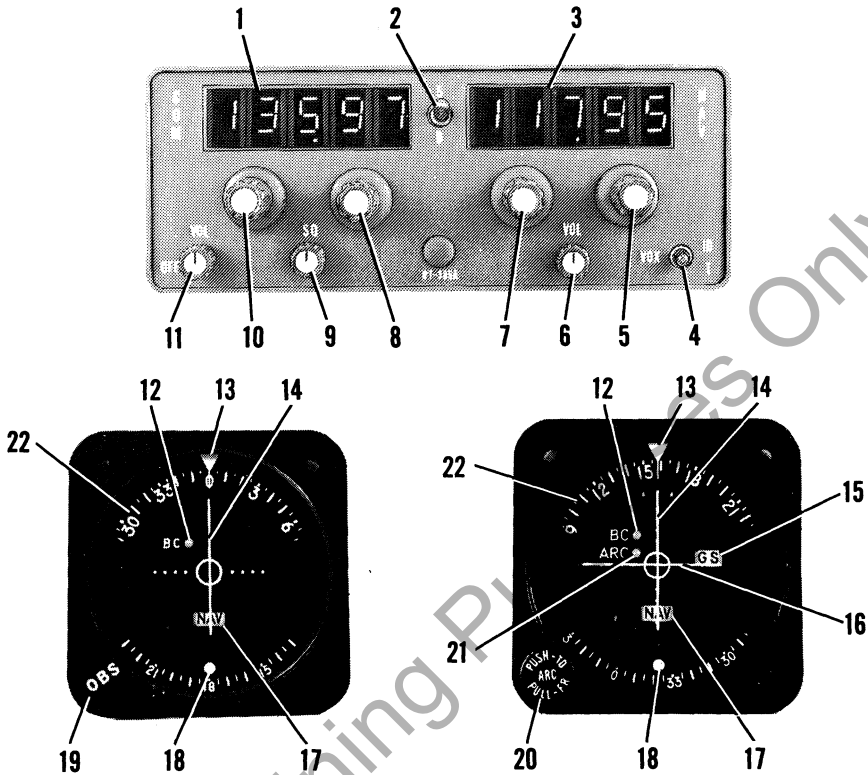
## SECTION 1 GENERAL

The Cessna 300 Nav/Com (Type RT-385A), shown in Figure 1, consists of a panel-mounted receiver-transmitter and a single or dual-pointer remote course deviation indicator.

The set includes a 720-channel VHF communications receiver-transmitter and a 200-channel VHF navigation receiver, both of which may be operated simultaneously. The communications receiver-transmitter receives and transmits signals between 118.000 and 135.975 MHz in 25-kHz steps. The navigation receiver receives omni and localizer signals between 108.00 and 117.95 MHz in 50-kHz steps. The circuits required to interpret the omni and localizer signals are located in the course deviation indicator. Both the communications and navigation operating frequencies are digitally displayed by incandescent readouts on the front panel of the Nav/Com.

A glide slope receiver may be interconnected with the Nav/Com set for automatic selection of the associated glide slope frequency. When a VOR frequency is selected on the Nav/Com, the associated VORTAC station frequency will also be selected automatically; likewise, if a localizer frequency is selected, the associated glide slope will be selected automatically.

The course deviation indicator includes either a single-pointer and related NAV flag for VOR/LOC indication only, or dual pointers and related NAV and GS flags for both VOR/LOC and glide slope indications. Both types of course deviation indicators incorporate a non-functional back-course lamp (BC). Both types may be provided with Automatic Radial Centering which, depending on how it is selected, will automatically indicate the bearing TO or FROM the VOR station.



1. COMMUNICATION OPERATING FREQUENCY READOUT (Third-decimal-place is shown by the position of the "5-0" switch).
2. 5-0 SWITCH - Part of Com Receiver-Transmitter Fractional MHz Frequency Selector. In "5" position, enables Com frequency readout to display and Com Fractional MHz Selector to select frequency in .05-MHz steps between .025 and .975 MHz. In "0" position, enables COM frequency readout to display and Com Fractional MHz Selector to select frequency in .05-MHz steps between .000 and .950 MHz.

## NOTE

The "5" or "0" may be read as the third decimal digit, which is not displayed in the Com fractional frequency display.

Figure 1. Cessna 300 Nav/Com (Type RT-385A), Operating Controls and Indicators (Sheet 1 of 3)

3. NAVIGATION OPERATING FREQUENCY READOUT.
4. ID-VOX-T SWITCH - With VOR or LOC station selected, in ID position, station identifier signal is audible; in VOX (Voice) position, identifier signal is suppressed; in T (Momentary On) position, the VOR navigational self-test function is selected.
5. NAVIGATION RECEIVER FRACTIONAL MEGAHERTZ SELECTOR - Selects Nav frequency in .05-MHz steps between .00 and .95 MHz; simultaneously selects paired glide slope frequency and DME channel.
6. NAV VOL CONTROL - Adjusts volume of navigation receiver audio.
7. NAVIGATION RECEIVER MEGAHERTZ SELECTOR - Selects NAV frequency in 1-MHz steps between 108 and 117 MHz; simultaneously selects paired glide slope frequency and DME channel.
8. COMMUNICATION RECEIVER-TRANSMITTER FRACTIONAL MEGAHERTZ SELECTOR - Depending on position of 5-0 switch, selects COM frequency in .05-MHz steps between .000 and .975 MHz. The 5-0 switch identifies the last digit as either 5 or 0.
9. SQUELCH CONTROL - Used to adjust signal threshold necessary to activate COM receiver audio. Clockwise rotation increases background noise (decreases squelch action); counterclockwise rotation decreases background noise.
10. COMMUNICATION RECEIVER-TRANSMITTER MEGAHERTZ SELECTOR - Selects COM frequency in 1-MHz steps between 118 and 135 MHz.
11. COM OFF-VOL CONTROL - Combination on/off switch and volume control; turns on NAV/COM set and controls volume of communications receiver audio.
12. BC LAMP - Non-operational on 152 series aircraft.
13. COURSE INDEX - Indicates selected VOR course.
14. COURSE DEVIATION POINTER - The vertical pointer is used in conjunction with its associated scale of horizontal dots to indicate aircraft displacement from selected omni, or localizer beam centerline. A course deviation displacement of the vertical pointer to the outer dot (either left or right) represents full scale VOR =  $\pm 10^\circ$  or LOC =  $\pm 2\ 1/2^\circ$  nominal deviation from beam centerline. Localizer may be  $\pm 1\ 1/2^\circ$  to  $\pm 3^\circ$  full scale left or right depending on runway length.
15. GLIDE SLOPE "GS" FLAG - When visible, red GS flag indicates unreliable glide slope signal or improperly operating equipment. Flag disappears when a reliable glide slope signal is being received.
16. GLIDE SLOPE DEVIATION POINTER - The horizontal pointer is used in conjunction with its associated scale of vertical dots to indicate aircraft displacement from glide slope beam centerline. A course deviation displacement of the horizontal pointer to the outer vertical dot (either above or below) represents full scale ( $0.7^\circ$ ) deviation above or below glide slope beam centerline.

Figure 1. Cessna 300 Nav/Com (Type RT-385A), Operating Controls and Indicators (Sheet 2 of 3)

17. NAV/TO-FROM INDICATOR - Operates only with a VOR or localizer signal. Red NAV position (Flag) indicates unusable signal. With usable VOR signal, indicates whether selected course is TO or FROM station. With usable localizer signal, shows TO.
18. RECIPROCAL COURSE INDEX - Indicates reciprocal of selected VOR course.
19. OMNI BEARING SELECTOR (OBS) - Rotates OBS course card to select desired course.
20. AUTOMATIC RADIAL CENTERING (ARC-PUSH-TO/PULL-FR) SELECTOR - In center detent, functions as conventional OBS. Pushed to inner (Momentary On) position, turns OBS course card to center course deviation pointer with a TO flag, then returns to conventional OBS selection. Pulled to outer detent, continuously drives OBS course card to indicate bearing from VOR station, keeping course deviation pointer centered, with a FROM flag. ARC function will not operate on localizer frequencies.
21. AUTOMATIC RADIAL CENTERING (ARC) LAMP - Amber light illuminates when Automatic Radial Centering is in use. Light dimming is only available when installed with an audio control panel incorporating the annunciator lights DAY/NITE selector switch.
22. OBS COURSE CARD - Indicates selected VOR course under course index.

The Cessna 300 Nav/Com incorporates a variable threshold automatic squelch. With this squelch system, you set the threshold level for automatic operation - the further clockwise the lower the threshold - or the more sensitive the set. When the signal is above this level, it is heard even if the noise is very close to the signal. Below this level, the squelch is fully automatic so when the background noise is very low, very weak signals (that are above the noise) are let through. For normal operation of the squelch circuit, just turn the squelch clockwise until noise is heard - then back off slightly until it is quiet, and you will have automatic squelch with the lowest practical threshold. This adjustment should be rechecked periodically during each flight to assure optimum reception.

All controls for the Nav/Com, except the standard omni bearing selector (OBS) knob or the optional automatic radial centering (ARC) knob located on the course deviation indicator, are mounted on the front panel of the receiver-transmitter. Operation and description of the transmitter/audio switching system or audio control panel used in conjunction with this radio is shown and described in another supplement in this section.

## **SECTION 2 LIMITATIONS**

There is no change to the airplane limitations when this avionic equipment is installed.

## **SECTION 3 EMERGENCY PROCEDURES**

There is no change to the airplane emergency procedures when this avionic equipment is installed. However, if the frequency readouts fail, the radio will remain operational on the last frequency selected. The frequency control should not be moved due to the difficulty of obtaining a known frequency under this condition.

## SECTION 4

### NORMAL PROCEDURES

#### COMMUNICATION RECEIVER-TRANSMITTER OPERATION:

1. COM OFF/VOL Control -- TURN ON; adjust to desired audio level.
2. XMTR SEL Switch (on audio control panel) -- SET to desired Nav/Com Radio.
3. SPEAKER/PHONE Selector Switches (on audio control panel) -- SET to desired mode.
4. COM Frequency Selector Knobs -- SELECT desired operating frequency.
5. 5-0 Fractional MHz Selector Switch -- SELECT desired operating frequency (does not affect navigation frequencies).
6. SQ Control -- ROTATE counterclockwise to just eliminate background noise. Adjustment should be checked periodically to assure optimum reception.
7. Mike Button:
  - a. To Transmit -- DEPRESS and SPEAK into microphone.

#### NOTES

When the transmitter/audio switching panel without marker beacon is installed, sidetone is available with either SPEAKER or PHONE operation. A SIDETONE VOL control is provided that may be used to adjust or suppress speaker sidetone.

When the audio control panel with marker beacon is installed, sidetone may be selected by placing the AUTO selector switch in either the SPEAKER or PHONE position. Sidetone may be eliminated by placing the AUTO selector switch in the OFF position. Adjustment of either SPEAKER or PHONE sidetone may be accomplished by adjusting the sidetone pots, which are accessible through the front of the audio control panel, with a small screwdriver.

- b. To Receive -- RELEASE mike button.

**NAVIGATION OPERATION:**

1. **COM OFF/VOL Control -- TURN ON.**
2. **SPEAKER/PHONE Selector Switches (on audio control panel) -- SET to desired mode.**
3. **NAV Frequency Selector Knobs -- SELECT desired operating frequency.**
4. **NAV VOL -- ADJUST to desired audio level.**
5. **ID-VOX-T Switch:**
  - a. **To Identify Station -- SET to ID to hear navigation station identifier signal.**
  - b. **To Filter Out Station Identifier Signal -- SET to VOX to include filter in audio circuit.**
6. **Course Deviation Indicator -- CHECK that it reads TO or FROM with the usable VOR navigation signal and that the vertical pointer is indicating the bearing to the VOR station.**
7. **ARC PUSH-TO/PULL-FROM Knob (If Applicable):**
  - a. **To Use As Conventional OBS -- PLACE in center detent and select desired course.**
  - b. **To Obtain Bearing TO VOR Station -- PUSH (ARC/PUSH-TO) knob to inner (momentary on) position.**

**NOTE**

ARC lamp will illuminate amber while the OBS course card is moving to center with the course deviation pointer. After alignment has been achieved to reflect bearing to VOR, automatic radial centering will automatically shut down, causing the ARC lamp to go out.

- c. **To Obtain Continuous Bearing FROM VOR Station -- PULL (ARC/PULL-FR) knob to outer detent.**

**NOTE**

ARC lamp will illuminate amber, OBS course card will turn to center the course deviation pointer with a FROM flag to indicate bearing from VOR station.

8. **OBS Knob (If Applicable) -- SELECT desired course.**

## VOR SELF-TEST OPERATION:

1. COM OFF/VOL Control -- TURN ON.
2. NAV Frequency Selector Switches -- SELECT usable VOR station signal.
3. OBS Knob -- SET for 0° course at course index; course deviation pointer centers or deflects left or right, depending on bearing of signal; NAV/TO-FROM indicator shows TO or FROM.
4. ID/VOX/T Switch -- PRESS to T and HOLD at T; course deviation pointer centers and NAV/TO-FROM indicator shows FROM.
5. OBS Knob -- TURN to displace course approximately 10° to either side of 0° (while holding ID/VOX/T to T). Course deviation pointer deflects full scale in direction corresponding to course displacement. NAV/TO-FROM indicator shows FROM.
6. ID/VOX/T Switch -- RELEASE for normal operation.

## NOTE

This test does not fulfill the requirements of FAR 91.25.

## SECTION 5

### PERFORMANCE

There is no change to the airplane performance when this avionic equipment is installed. However, the installation of an externally mounted antenna or several related external antennas, will result in a minor reduction in cruise performance.



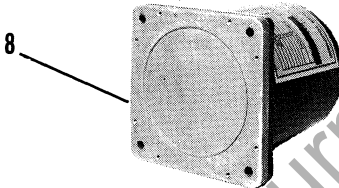
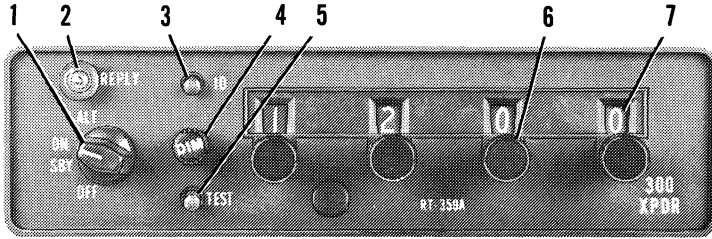
**SUPPLEMENT**  
**CESSNA 300 TRANSPONDER**  
**(Type RT-359A)**  
**AND**  
**OPTIONAL ALTITUDE ENCODER (BLIND)**

**SECTION 1**  
**GENERAL**

The Cessna 300 Transponder (Type RT-359A), shown in Figure 1, is the airborne component of an Air Traffic Control Radar Beacon System (ATCRBS). The transponder enables the ATC ground controller to "see" and identify the aircraft, while in flight, on the control center's radarscope more readily.

The Cessna 300 Transponder system consists of a panel-mounted unit and an externally-mounted antenna. The transponder receives interrogating pulse signals on 1030 MHz and transmits pulse-train reply signals on 1090 MHz. The transponder is capable of replying to Mode A (aircraft identification) and also to Mode C (altitude reporting) when coupled to an optional altitude encoder system. The transponder is capable of replying on both modes of interrogation on a selective reply basis on any of 4096 information code selections. The optional altitude encoder system (not part of a standard 300 Transponder system) required for Mode C (altitude reporting) operation consists of a completely independent remote-mounted digitizer that is connected to the static system and supplies encoded altitude information to the transponder. When the altitude encoder system is coupled to the 300 Transponder system, altitude reporting information is available in 100-foot increments.

All Cessna 300 Transponder operating controls are located on the front panel of the unit. Functions of the operating controls are described in Figure 1.



1. **FUNCTION SELECTOR SWITCH** - Controls application of power and selects transponder operating mode as follows:
  - OFF - Turns set off.
  - SBY - Turns set on for equipment warm-up or standby power.
  - ON - Turns set on and enables transponder to transmit Mode A (aircraft identification) reply pulses.
  - ALT - Turns set on and enables transponder to transmit both Mode A (aircraft identification) reply pulses and Mode C (altitude reporting) pulses selected automatically by the interrogating signal.
2. **REPLY LAMP** - Lamp flashes to indicate transmission of reply pulses; glows steadily to indicate transmission of IDENT pulse or satisfactory self-test operation. (Reply lamp will also glow steadily during initial warm-up period.)

Figure 1. Cessna 300 Transponder and Altitude Encoder (Blind)  
(Sheet 1 of 2)

3. IDENT (ID) SWITCH - When depressed, selects special pulse identifier to be transmitted with transponder reply to effect immediate identification of aircraft on ground controller's display. (Reply lamp will glow steadily during duration of IDENT pulse transmission.)
4. DIMMER (DIM) CONTROL - Allows pilot to control brilliance of reply lamp.
5. SELF-TEST (TST) SWITCH - When depressed, causes transponder to generate a self-interrogating signal to provide a check of transponder operation. (Reply lamp will glow steadily to verify self-test operation.)
6. REPLY-CODE SELECTOR KNOBS (4) - Select assigned Mode A reply code.
7. REPLY-CODE INDICATORS (4) - Display selected Mode A reply code.
8. REMOTE-MOUNTED DIGITIZER - Provides an altitude reporting code range from -1000 feet up to the airplane's maximum service ceiling.

Figure 1. Cessna 300 Transponder and Altitude Encoder (Blind)  
(Sheet 2 of 2)

## SECTION 2

### LIMITATIONS

There is no change to the airplane limitations when this avionic equipment is installed. However, the following information must be displayed in the form of a placard located near the altimeter.

ALTITUDE ENCODER EQUIPPED

## SECTION 3

### EMERGENCY PROCEDURES

TO TRANSMIT AN EMERGENCY SIGNAL:

1. Function Selector Switch -- ON.
2. Reply-Code Selector Knobs -- SELECT 7700 operating code.

TO TRANSMIT A SIGNAL REPRESENTING LOSS OF ALL COMMUNICATIONS (WHEN IN A CONTROLLED ENVIRONMENT):

1. Function Selector Switch -- ON.
2. Reply-Code Selector Knobs -- SELECT 7700 operating code for 1 minute; then SELECT 7600 operating code for 15 minutes and then REPEAT this procedure at same intervals for remainder of flight.

## SECTION 4

### NORMAL PROCEDURES

BEFORE TAKEOFF:

1. Function Selector Switch -- SBY.

TO TRANSMIT MODE A (AIRCRAFT IDENTIFICATION) CODES IN FLIGHT:

1. Reply-Code Selector Knobs -- SELECT assigned code.

2. Function Selector Switch -- ON.
3. DIM Control -- ADJUST light brilliance of reply lamp.

**NOTE**

During normal operation with function selector switch in ON position, reply lamp flashes indicating transponder replies to interrogations.

4. ID Button -- DEPRESS momentarily when instructed by ground controller to "squawk IDENT" (reply lamp will glow steadily, indicating IDENT operation).

**TO TRANSMIT MODE C (ALTITUDE REPORTING) CODES IN FLIGHT:**

1. Reply-Code Selector Knobs -- SELECT assigned code.
2. Function Selector Switch -- ALT.

**NOTE**

When directed by ground controller to "stop altitude squawk", turn Function Selector Switch to ON for Mode A operation only.

**NOTE**

Pressure altitude is transmitted by the transponder for altitude squawk and conversion to indicated altitude is done in ATC computers. Altitude squawked will only agree with indicated altitude when the local altimeter setting in use by the ground controller is set in the aircraft altimeter.

3. DIM Control -- ADJUST light brilliance of reply lamp.

**TO SELF-TEST TRANSPONDER OPERATION:**

1. Function Selector Switch -- SBY and wait 30 seconds for equipment to warm-up.
2. Function Selector Switch -- ON or ALT.
3. TST Button -- DEPRESS (reply lamp should light brightly regardless of DIM control setting).
4. TST Button -- RELEASE for normal operation.

## SECTION 5

### PERFORMANCE

There is no change to the airplane performance when this avionic equipment is installed. However, the installation of an externally mounted antenna or several related external antennas, will result in a minor reduction in cruise performance.

For Training Purposes Only

## SUPPLEMENT

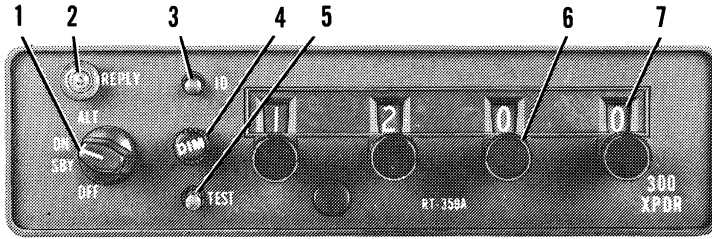
# CESSNA 300 TRANSPONDER (Type RT-359A) AND OPTIONAL ENCODING ALTIMETER (Type EA-401A)

## SECTION 1 GENERAL

The Cessna 300 Transponder (Type RT-359A), shown in Figure 1, is the airborne component of an Air Traffic Control Radar Beacon System (ATCRBS). The transponder enables the ATC ground controller to "see" and identify the aircraft, while in flight, on the control center's radarscope more readily.

The Cessna 300 Transponder system consists of a panel-mounted unit and an externally-mounted antenna. The transponder receives interrogating pulse signals on 1030 MHz and transmits coded pulse-train reply signals on 1090 MHz. It is capable of replying to Mode A (aircraft identification) and Mode C (altitude reporting) interrogations on a selective reply basis on any of 4096 information code selections. When an optional panel-mounted EA-401A Encoding Altimeter (not part of a standard 300 Transponder system) is included in the avionics configuration, altitude reporting information is available in 100 foot increments.

All Cessna 300 Transponder operating controls, with the exception of the optional altitude encoder's altimeter setting knob, are located on the front panel of the unit. The altimeter setting knob is located on the encoding altimeter. Functions of the operating controls are described in Figure 1.



1. **FUNCTION SELECTOR SWITCH** - Controls application of power and selects transponder operating mode as follows:

**OFF** - Turns set off.

**SBY** - Turns set on for equipment warm-up.

**ON** - Turns set on and enables transponder to transmit Mode A (aircraft identification) reply pulses.

**ALT** - Turns set on and enables transponder to transmit both Mode A (aircraft identification) reply pulses and Mode C (altitude reporting) pulses selected automatically by the interrogating signal.

2. **REPLY LAMP** - Lamp flashes to indicate transmission of reply pulses; glows steadily to indicate transmission of IDENT pulse or satisfactory self-test operation. (Reply Lamp will also glow steadily during initial warm-up period.)

Figure 1. Cessna 300 Transponder and Encoding Altimeter (Sheet 1 of 2)



3. IDENT (ID) SWITCH - When depressed, selects special pulse identifier to be transmitted with transponder reply to effect immediate identification of aircraft on ground controller's display. (Reply Lamp will glow steadily during duration of IDENT pulse transmission.)
4. DIMMER (DIM) CONTROL - Allows pilot to control brilliance of reply lamp.
5. SELF-TEST (TST) SWITCH - When depressed, causes transponder to generate a self-interrogating signal to provide a check of transponder operation. (Reply Lamp will glow steadily to verify self test operation.)
6. REPLY-CODE SELECTOR KNOBS (4) - Select assigned Mode A reply code.
7. REPLY-CODE INDICATORS (4) - Display selected Mode A reply code.
8. 1000-FOOT DRUM TYPE INDICATOR - Provides digital altitude readout in 1000-foot increments between -1000 feet and +35,000 feet. When altitude is below 10,000 feet, a diagonally striped flag appears in the 10,000 foot window.
9. OFF INDICATOR WARNING FLAG - Flag appears across altitude readout when power is removed from the altimeter to indicate that readout is not reliable.
10. 100-FOOT DRUM TYPE INDICATOR - Provides digital altitude readout in 100-foot increments between 0 feet and 1000 feet.
11. 20-FOOT INDICATOR NEEDLE - Indicates altitude in 20-foot increments between 0 feet and 1000 feet.
12. ALTIMETER SETTING SCALE - DRUM TYPE - Indicates selected altimeter setting in the range of 27.9 to 31.0 inches of mercury on the standard altimeter or 950 to 1050 millibars on the optional altimeter.
13. ALTIMETER SETTING KNOB - Dials in desired altimeter setting in the range of 27.9 to 31.0 inches of mercury on the standard altimeter or 950 to 1050 millibars on the optional altimeter.

## SECTION 2

### LIMITATIONS

There is no change to the airplane performance when this avionic equipment is installed. However, the encoding altimeter used in this installation does have a limitation that requires a standard barometric altimeter to be installed as a back-up altimeter.

Figure 1. Cessna 300 Transponder and Encoding Altimeter (Sheet 2 of 2)

## SECTION 3

### EMERGENCY PROCEDURES

TO TRANSMIT AN EMERGENCY SIGNAL:

1. Function Selector Switch -- ON.
2. Reply-Code Selector Knobs -- SELECT 7700 operating code.

TO TRANSMIT A SIGNAL REPRESENTING LOSS OF ALL COMMUNICATIONS (WHEN IN A CONTROLLED ENVIRONMENT):

1. Function Selector Switch -- ON.
2. Reply-Code Selector Knobs -- SELECT 7700 operating code for 1 minute; then SELECT 7600 operating code for 15 minutes and then REPEAT this procedure at same intervals for remainder of flight.

## SECTION 4

### NORMAL PROCEDURES

BEFORE TAKEOFF:

1. Function Selector Switch -- SBY.

TO TRANSMIT MODE A (AIRCRAFT IDENTIFICATION) CODES IN FLIGHT:

1. Reply-Code Selector Knobs -- SELECT assigned code.
2. Function Selector Switch -- ON.
3. DIM Control -- ADJUST light brilliance of reply lamp.

#### NOTE

During normal operation with function selector switch in ON position, reply lamp flashes indicating transponder replies to interrogations.

4. ID Button -- DEPRESS momentarily when instructed by ground controller to "squawk IDENT" (reply lamp will glow steadily, indicating IDENT operation).

## TO TRANSMIT MODE C (ALTITUDE REPORTING) CODES IN FLIGHT:

1. Off Indicator Warning Flag -- VERIFY that flag is out of view on encoding altimeter.
2. Altitude Encoder Altimeter Setting Knob -- SET IN assigned local altimeter setting.
3. Reply-Code Selector Knobs -- SELECT assigned code.
4. Function Selector Switch -- ALT.

## NOTE

When directed by ground controller to "stop altitude squawk", turn Function Selector Switch to ON for Mode A operation only.

## NOTE

Pressure altitude is transmitted by the transponder for altitude squawk and conversion to indicated altitude is done in ATC computers. Altitude squawked will only agree with indicated altitude when the local altimeter setting in use by the ground controller is set in the encoding altimeter.

5. DIM Control -- ADJUST light brilliance of reply lamp.

## TO SELF-TEST TRANSPONDER OPERATION:

1. Function Selector Switch -- SBY and wait 30 seconds for equipment to warm-up.
2. Function Selector Switch -- ON or ALT.
3. TST Button -- DEPRESS and HOLD (reply lamp should light with full brilliance regardless of DIM control setting).
4. TST Button -- RELEASE for normal operation.

## SECTION 5

### PERFORMANCE

There is no change to the airplane performance when this avionic equipment is installed. However, the installation of an externally mounted antenna or several related external antennas, will result in a minor reduction in cruise performance.

For Training Purposes Only

## SUPPLEMENT

# CESSNA 400 GLIDE SLOPE (Type R-443B)

## SECTION 1 GENERAL

The Cessna 400 Glide Slope is an airborne navigation receiver which receives and interprets glide slope signals from a ground-based Instrument Landing System (ILS). It is used with the localizer function of a VHF navigation system when making instrument approaches to an airport. The glide slope provides vertical path guidance while the localizer provides horizontal track guidance.

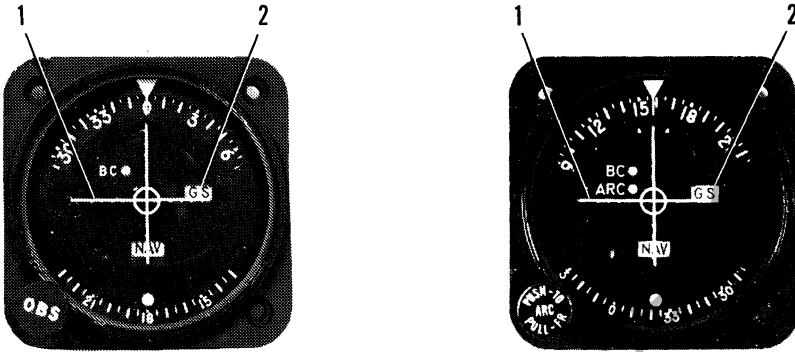
The Cessna 400 Glide Slope system consists of a remote-mounted receiver coupled to an existing navigation system, a panel-mounted indicator and an externally mounted antenna. The glide slope receiver is designed to receive ILS glide slope signals on any of 40 channels. The channels are spaced 150 kHz apart and cover a frequency range of 329.15 MHz through 335.0 MHz. When a localizer frequency is selected on the NAV receiver, the associated glide slope frequency is selected automatically.

Operation of the Cessna 400 Glide Slope system is controlled by the associated navigation system. The functions and indications of typical 300 series glide slope indicators are pictured and described in Figure 1. The 300 series glide slope indicators shown in Figure 1 depict typical indications for Cessna-crafted glide slope indicators. However, refer to the 400 Nav/Com or HSI write-ups if they are listed in this section as options for additional glide slope indicators.

## SECTION 2 LIMITATIONS

There is no change to the airplane limitations when this avionics equipment is installed.

## TYPICAL 300 SERIES GLIDE SLOPE INDICATORS



1. **GLIDE SLOPE DEVIATION POINTER** - The horizontal pointer is used in conjunction with its associated scale of vertical dots to indicate aircraft displacement from glide slope beam centerline. A course deviation displacement of the horizontal pointer to the outer vertical dot (either above or below) represents full scale ( $0.7^\circ$ ) deviation above or below glide slope beam centerline.
2. **GLIDE SLOPE "OFF" OR "GS" FLAG** - When visible, indicates unreliable glide slope signal or improperly operating equipment. The flag disappears when a reliable glide slope signal is being received.

**CAUTION**

Spurious glide slope signals may exist in the area of the localizer back course approach which can cause the glide slope "OFF" or "GS" flag to disappear and present unreliable glide slope information. Disregard all glide slope signal indications when making a localizer back course approach unless a glide slope (ILS BC) is specified on the approach and landing chart.

Figure 1. Typical 300 Series VOR/LOC/ILS Indicator

## SECTION 3 EMERGENCY PROCEDURES

There is no change to the airplane emergency procedures when this avionic equipment is installed.

## SECTION 4 NORMAL PROCEDURES

TO RECEIVE GLIDE SLOPE SIGNALS:

### NOTE

The pilot should be aware that on many Cessna airplanes equipped with the vertical fin mounted combination glide slope and omni antenna, pilots should avoid use of  $1800 \pm 100$  RPM on airplanes equipped with a three-bladed propeller during ILS approaches to avoid oscillations of the glide slope deviation pointer caused by propeller interference.

1. NAV Frequency Select Knobs -- SELECT desired localizer frequency (glide slope frequency is automatically selected).
2. NAV/COM VOX-ID-T Switch -- SELECT ID position to disconnect filter from audio circuit.
3. NAV VOL Control -- ADJUST to desired listening level to confirm proper localizer station.

### CAUTION

When glide slope "OFF" or "GS" flag is visible, glide slope indications are unusable.

## SECTION 5 PERFORMANCE

There is no change to the airplane performance when this avionic equipment is installed.

For Training Purposes Only



## SUPPLEMENT

# CESSNA 400 MARKER BEACON (Type R-402)

## SECTION 1 GENERAL

The system consists of a remote mounted 75 MHz marker beacon receiver, an antenna which is externally mounted on the under side of the aircraft and operating controls and annunciator lights which are mounted on the front of the audio control panel.

Operating controls consist of two, three-position toggle switches. One switch is labeled "HIGH/LO/MUTE" and provides the pilot with HIGH-LO sensitivity selection and marker beacon audio muting, for approximately 30 seconds, to enable voice communication to be heard without interference of marker beacon signals. The marker beacon audible tone is automatically restored at the end of the 30-second muting period to continue marker audio for passage over the next marker. The other switch is labeled "SPKR/OFF/PHN" and is used to turn the set on and select the desired speaker or phone position for marker beacon signals.

Another three-position toggle switch labeled, "ANN LT", is provided to enable the pilot to select the desired DAY or NITE lighting position for annunciator lights, and also a "TEST" position to verify operation of marker beacon annunciator lights.

A Marker Beacon audio level adjustment potentiometer and an annunciator lights minimum dimming potentiometer are mounted on the audio control panel circuit board. Potentiometer adjustments cannot be accomplished externally. However if readjustments are desired, adjustments can be made in accordance with instructions found in the Avionics Installations Service/Parts Manual for this aircraft.

Operating controls and indicator lights are shown and described in Figure 1.

## MARKER FACILITIES

| MARKER      | IDENTIFYING TONE                                | LIGHT* |
|-------------|---|--------|
| Inner & Fan | Continuous 6 dots/sec (3000 Hz)                 | White  |
| Back Course | 72-95 two dot combinations per minute (3000 Hz) | White  |
| Middle      | Alternate dots and dashes (1300 Hz)             | Amber  |
| Outer       | 2 dashes/sec (400 Hz)                           | Blue   |

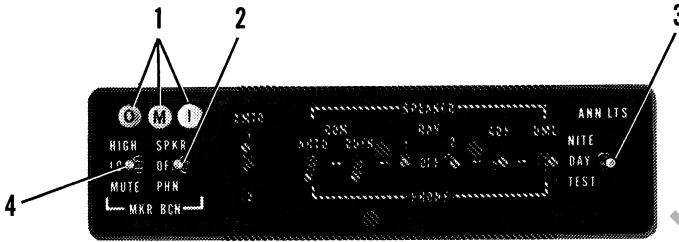
\* When the identifying tone is keyed, the respective indicating light will blink accordingly.

## SECTION 2 LIMITATIONS

There is no change to the airplane limitations when this avionic equipment is installed.

## SECTION 3 EMERGENCY PROCEDURES

There is no change to the airplane emergency procedures when this avionic equipment is installed.



1. MARKER BEACON ANNUNCIATOR LIGHTS:

OUTER - Light illuminates blue to indicate passage of outer marker beacon.  
MIDDLE - Light illuminates amber to indicate passage of middle marker beacon.  
INNER - Light illuminates white to indicate passage of inner, fan, or back course marker beacons.

2. SPEAKER/OFF/PHONE SELECTOR SWITCH:

SPEAKER POSITION - Turns set on and selects speaker for aural reception.  
OFF POSITION - Turns set off.  
PHONE POSITION - Turns set on and selects phone for aural reception.

3. ANNUNCIATOR LIGHTS SWITCH:

NITE POSITION - Places the annunciator lights in a dim lighting mode for night flying operations. Light intensity of the NITE position is controlled by the RADIO LT dimming rheostat.  
DAY POSITION - Places the annunciator lights in the full bright position for daylight flying operations.  
TEST POSITION - Illuminates all marker beacon annunciator lights in the full bright position to verify operation of lights.

4. HIGH/LO/MUTE SELECTOR SWITCH:

HIGH POSITION - Receiver sensitivity is positioned for airway flying.  
LO POSITION - Receiver sensitivity is positioned for ILS approaches.  
MUTE POSITION - The marker beacon audio signals are temporarily blanked out (for approximately 30 seconds) and then automatically restored, over the speaker or headset in order to provide voice communications without interference of marker beacon signals.

Figure 1. Cessna 400 Marker Beacon Operating Controls and Indicator Lights

## SECTION 4

### NORMAL PROCEDURES

#### TO OPERATE:

1. SPKR/OFF/PHN Selector Switch -- SELECT desired speaker or phone audio. Either selected position will turn set on.
2. NITE/DAY/TEST Selector Switch -- TEST position and verify that all marker beacon annunciator lights illuminate full bright to satisfy system test.
3. NITE/DAY/TEST Selection Switch -- SELECT desired position for NITE or DAY lighting.
4. HIGH/LO/MUTE Selector Switch -- SELECT HI position for airway flying or LO position for ILS approaches.

#### NOTE

PRESS MUTE switch to provide an approximate 30 seconds temporary blanking out of Marker Beacon audio tone. The marker beacon audio identifier is automatically restored at the end of the muting period.

#### NOTE

Due to the short distance typical between the middle marker and inner marker, audio identification of an inner marker may not be possible if muting is activated over the middle marker.

## SECTION 5

### PERFORMANCE

There is no change to the airplane performance when this avionic equipment is installed. However, the installation of an externally mounted antenna or several related external external antennas, will result in a minor reduction in cruise performance.

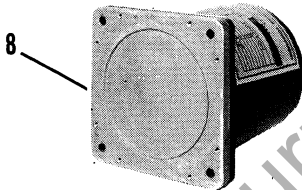
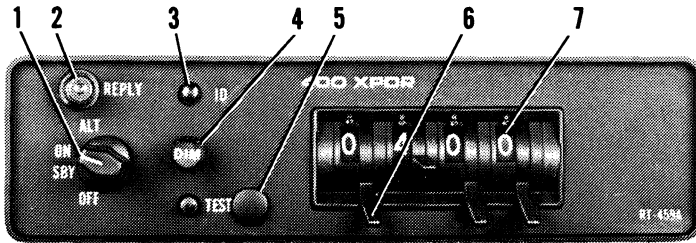
**SUPPLEMENT**  
**CESSNA 400 TRANSPONDER**  
**(Type RT-459A)**  
**AND**  
**OPTIONAL ALTITUDE ENCODER (BLIND)**

**SECTION 1**  
**GENERAL**

The Cessna 400 Transponder (Type RT-459A), shown in Figure 1, is the airborne component of an Air Traffic Control Radar Beacon System (ATCRBS). The transponder enables the ATC ground controller to "see" and identify the aircraft, while in flight, on the control center's radarscope more readily.

The Cessna 400 Transponder system consists of a panel-mounted unit and an externally mounted antenna. The transponder receives interrogating pulse signals on 1030 MHz and transmits pulse-train reply signals on 1090 MHz. The transponder is capable of replying to Mode A (aircraft identification) and also to Mode C (altitude reporting) when coupled to an optional altitude encoder system. The transponder is capable of replying on both modes of interrogation on a selective reply basis on any of 4,096 information code selections. The optional altitude encoder system (not part of a standard 400 Transponder system) required for Mode C (altitude reporting) operation, consists of a completely independent remote-mounted digitizer that is connected to the static system and supplies encoded altitude information to the transponder. When the altitude encoder system is coupled to the 400 Transponder system, altitude reporting capabilities are available in 100-foot increments between -1000 feet and the airplane's maximum service ceiling.

All Cessna 400 Transponder operating controls are located on the front panel of the unit. Functions of the operating controls are described in Figure 1.



1. **FUNCTION SELECTOR SWITCH** - Controls application of power and selects transponder operating mode as follows:
  - OFF - Turns set off.
  - SBY - Turns set on for equipment warm-up or standby power.
  - ON - Turns set on and enables transponder to transmit Mode A (aircraft identification) reply pulses.
  - ALT - Turns set on and enables transponder to transmit both Mode A (aircraft identification) reply pulses and Mode C (altitude reporting) pulses selected automatically by the interrogating signal.
2. **REPLY LAMP** - Lamp flashes to indicate transmission of reply pulses; glows steadily to indicate transmission of IDENT pulse or satisfactory self-test operation. (Reply lamp will also glow steadily during initial warm-up period.)

Figure 1. Cessna 400 Transponder and Altitude Encoder (Blind)  
(Sheet 1 of 2)

3. IDENT (ID) SWITCH - When depressed, selects special pulse identifier to be transmitted with transponder reply to effect immediate identification of aircraft on ground controller's display. (Reply lamp will glow steadily during duration of IDENT pulse transmission.)
4. DIMMER (DIM) CONTROL - Allows pilot to control brilliance of reply lamp.
5. SELF-TEST (TEST) SWITCH - When depressed, causes transponder to generate a self-interrogating signal to provide a check of transponder operation. (Reply lamp will glow steadily to verify self-test operation.)
6. REPLY-CODE SELECTOR SWITCHES (4) - Select assigned Mode A reply code.
7. REPLY-CODE INDICATORS (4) - Display selected Mode A reply code.
8. REMOTE-MOUNTED DIGITIZER - Provides an altitude reporting code range from -1000 feet up to the airplane's maximum service ceiling.

Figure 1. Cessna 400 Transponder and Altitude Encoder (Blind)  
(Sheet 2 of 2)

## SECTION 2

### LIMITATIONS

There is no change to the airplane limitations when this avionic equipment is installed. However, the following information must be displayed in the form of a placard located near the altimeter.

ALTITUDE ENCODER EQUIPPED

## SECTION 3

### EMERGENCY PROCEDURES

TO TRANSMIT AN EMERGENCY SIGNAL:

1. Function Selector Switch -- ON.
2. Reply-Code Selector Switches -- SELECT 7700 operating code.

TO TRANSMIT A SIGNAL REPRESENTING LOSS OF ALL COMMUNICATIONS (WHEN IN A CONTROLLED ENVIRONMENT):

1. Function Selector Switch -- ON.
2. Reply-Code Selector Switches -- SELECT 7700 operating code for 1 minute; then SELECT 7600 operating code for 15 minutes and then REPEAT this procedure at same intervals for remainder of flight.

## SECTION 4

### NORMAL PROCEDURES

BEFORE TAKEOFF:

1. Function Selector Switch -- SBY.

TO TRANSMIT MODE A (AIRCRAFT IDENTIFICATION) CODES IN FLIGHT:

1. Reply-Code Selector Switches -- SELECT assigned code.



2. Function Selector Switch -- ON.
3. DIM Control -- ADJUST light brilliance of reply lamp.

NOTE

During normal operation with function switch in ON position, reply lamp flashes indicating transponder replies to interrogations.

4. ID Button -- DEPRESS momentarily when instructed by ground controller to "squawk IDENT" (reply lamp will glow steadily, indicating IDENT operation).

TO TRANSMIT MODE C (ALTITUDE REPORTING) CODES IN FLIGHT:

1. Reply-Code Selector Switches -- SELECT assigned code.
2. Function Selector Switch -- ALT.

NOTE

When directed by ground controller to "stop altitude squawk", turn Function Selector Switch to ON for Mode A operation only.

NOTE

Pressure altitude is transmitted by the transponder for altitude squawk and conversion to indicated altitude is done in ATC computers. Altitude squawked will only agree with indicated altitude when the local altimeter setting in use by the ground controller is set in the aircraft altimeter.

3. DIM Control -- ADJUST light brilliance of reply lamp.

TO SELF-TEST TRANSPONDER OPERATION:

1. Function Selector Switch -- SBY and wait 30 seconds for equipment to warm-up.
2. Function Selector Switch -- ON.
3. TEST Button -- DEPRESS (reply lamp should light brightly regardless of DIM control setting).
4. TEST Button -- RELEASE for normal operation.

## **SECTION 5**

### **PERFORMANCE**

There is no change to the airplane performance when this avionic equipment is installed. However, the installation of an externally mounted antenna or several related external antennas, will result in a minor reduction in cruise performance.

For Training Purposes Only

**SUPPLEMENT**  
**CESSNA 400 TRANSPONDER**  
**(Type RT-459A)**  
**AND**  
**OPTIONAL ENCODING ALTIMETER**  
**(Type EA-401A)**

**SECTION 1**  
**GENERAL**

The Cessna 400 Transponder (Type RT-459A), shown in Figure 1, is the airborne component of an Air Traffic Control Radar Beacon System (ATCRBS). The transponder enables the ATC ground controller to "see" and identify the aircraft, while in flight, on the control center's radarscope more readily.

The 400 Transponder consists of a panel-mounted unit and an externally mounted antenna. The transponder receives interrogating pulse signals on 1030 MHz and transmits coded pulse-train reply signals on 1090 MHz. It is capable of replying to Mode A (aircraft identification) and Mode C (altitude reporting) interrogations on a selective reply basis on any of 4,096 information code selections. When an optional panel mounted EA-401A Encoding Altimeter (not part of 400 Transponder System) is included in the avionic configuration, the transponder can provide altitude reporting in 100-foot increments between -1000 and +35,000 feet.

All Cessna 400 Transponder operating controls, with the exception of the optional altitude encoder's altimeter setting knob, are located on the front panel of the unit. The altimeter setting knob is located on the encoding altimeter. Functions of the operating controls are described in Figure 1.

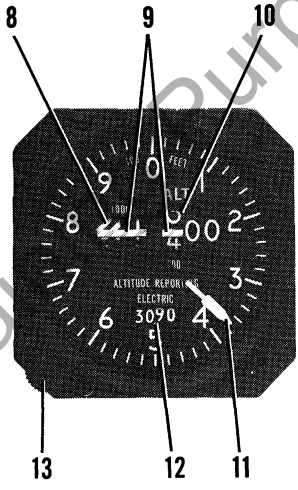
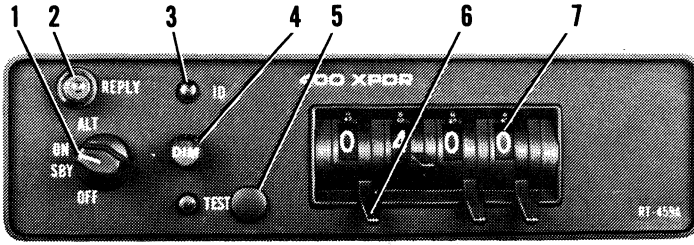


Figure 1. Cessna 400 Transponder and Encoding Altimeter Operating Controls (Sheet 1 of 2)

1. **FUNCTION SELECTOR SWITCH** - Controls application of power and selects transponder operating mode as follows:
  - OFF - Turns set off.
  - SBY - Turns set on for equipment warm-up or standby power.
  - ON - Turns set on and enables transponder to transmit Mode A (aircraft identification) reply pulses.
  - ALT - Turns set on and enables transponder to transmit both Mode A (aircraft identification) reply pulses and Mode C (altitude reporting) pulses selected automatically by the interrogating signal.
2. **REPLY LAMP** - Lamp flashes to indicate transmission of reply pulses; glows steadily to indicate transmission of IDENT pulse or satisfactory self-test operation. (Reply Lamp will also glow steadily during initial warm-up period.)
3. **IDENT (ID) SWITCH** - When depressed, selects special pulse identifier to be transmitted with transponder reply to effect immediate identification of aircraft on ground controller's display. (Reply Lamp will glow steadily during duration of IDENT pulse transmission.)
4. **DIMMER (DIM) CONTROL** - Allows pilot to control brilliance of Reply Lamp.
5. **SELF-TEST (TEST) SWITCH** - When depressed, causes transponder to generate a self-interrogating signal to provide a check of transponder operation. (Reply Lamp will glow steadily to verify self test operation.)
6. **REPLY-CODE SELECTOR SWITCHES (4)** - Select assigned Mode A Reply Code.
7. **REPLY-CODE INDICATORS (4)** - Display selected Mode A Reply Code.
8. **1000-FOOT DRUM TYPE INDICATOR** - Provides digital altitude readout in 1000-foot increments between -1000 and +35,000 feet. When altitude is below 10,000 feet, a diagonally striped flag appears in the 10,000-foot window.
9. **OFF INDICATOR WARNING FLAG** - Flag appears across altitude readout when power is removed from altimeter to indicate that readout is not reliable.
10. **100-FOOT DRUM TYPE INDICATOR** - Provides digital altitude readout in 100-foot increments between 0 feet and 1000 feet.
11. **20-FOOT INDICATOR NEEDLE** - Indicates altitude in 20-foot increments between 0 feet and 1000 feet.
12. **ALTIMETER SETTING SCALE - DRUM TYPE** - Indicates selected altimeter setting in the range of 27.9 to 31.0 inches of mercury on the standard altimeter or 950 to 1050 millibars on the optional altimeter.
13. **ALTIMETER SETTING KNOB** - Dials in desired altimeter setting in the range of 27.9 to 31.0 inches of mercury on standard altimeter or 950 to 1050 millibars on the optional altimeter.

Figure 1. Cessna 400 Transponder and Encoding Altimeter  
Operating Controls (Sheet 2 of 2)

## SECTION 2

### LIMITATIONS

There is no change to the airplane performance when this avionic equipment is installed. However, the encoding altimeter used in this installation does have a limitation that requires a standard barometric altimeter be installed as a back-up altimeter.

## SECTION 3

### EMERGENCY PROCEDURES

TO TRANSMIT AN EMERGENCY SIGNAL:

1. Function Selector Switch -- ON.
2. Reply-Code Selector Switches -- SELECT 7700 operating code.

TO TRANSMIT A SIGNAL REPRESENTING LOSS OF ALL COMMUNICATIONS (WHEN IN A CONTROLLED ENVIRONMENT):

1. Function Selector Switch -- ON.
2. Reply-Code Selector Switches -- SELECT 7700 operating code for 1 minute; then SELECT 7600 operating code for 15 minutes and then REPEAT this procedure at same intervals for remainder of flight.

## SECTION 4

### NORMAL PROCEDURES

BEFORE TAKEOFF:

1. Function Selector Switch -- SBY.

TO TRANSMIT MODE A (AIRCRAFT IDENTIFICATION) CODES IN FLIGHT:

1. Reply-Code Selector Switches -- SELECT assigned code.

2. Function Selector Switch -- ON.
3. DIM Control -- ADJUST light brilliance of reply lamp.

## NOTE

During normal operation with function switch in ON position, REPLY lamp flashes indicating transponder replies to interrogations.

4. ID Button -- DEPRESS momentarily when instructed by ground controller to "squawk IDENT" (REPLY lamp will glow steadily, indicating IDENT operation).

## TO TRANSMIT MODE C (ALTITUDE REPORTING) CODES IN FLIGHT:

1. Off Indicator Warning Flag -- VERIFY that flag is out of view on encoding altimeter.
2. Altitude Encoder Altimeter Setting Knob -- SET IN assigned local altimeter setting.
3. Reply-Code Selector Switches -- SELECT assigned code.
4. Function Selector Switch -- ALT.

## NOTE

When directed by ground controller to "stop altitude squawk", turn Function Selector Switch to ON for Mode A operation only.

## NOTE

Pressure altitude is transmitted by the transponder for altitude squawk and conversion to indicated altitude is done in ATC computers. Altitude squawked will only agree with indicated altitude when the local altimeter setting in use by the ground controller is set in the encoding altimeter.

5. DIM Control -- ADJUST light brilliance of reply lamp.

## TO SELF-TEST TRANSPONDER OPERATION:

1. Function Selector Switch -- SBY and wait 30 seconds for equipment to warm-up.
2. Function Selector Switch -- ON or ALT.
3. TEST Button -- DEPRESS and HOLD (reply lamp should light with full brilliance regardless of DIM control setting).
4. TST Button -- RELEASE for normal operation.

## SECTION 5

### PERFORMANCE

There is no change to the airplane performance when this avionic equipment is installed. However, the installation of an externally mounted antenna or several related external antennas, will result in a minor reduction in cruise performance.

For Training Purposes Only



For Training Purposes Only

For Training Purposes Only